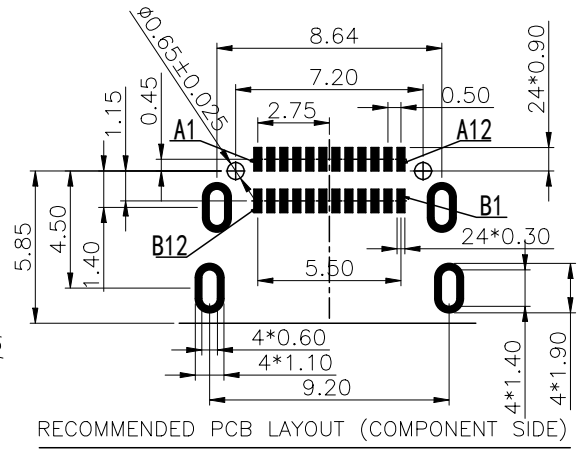
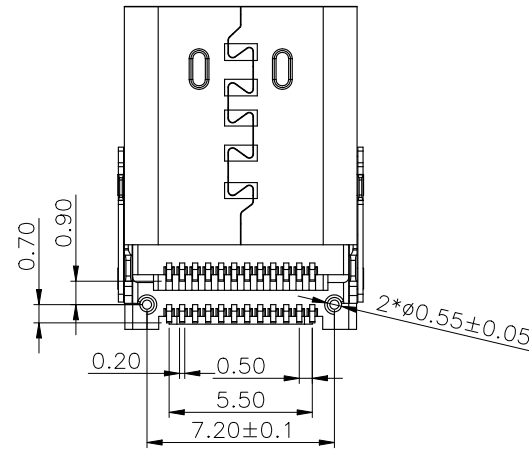
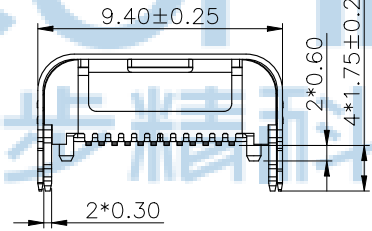
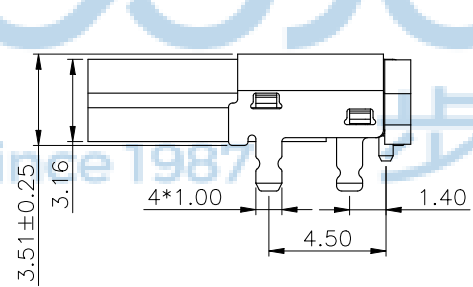
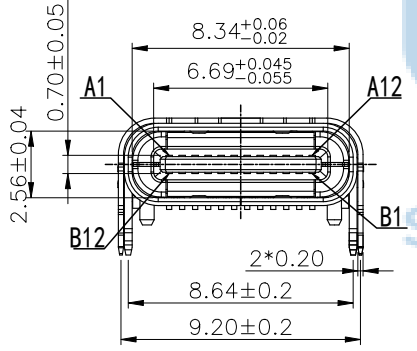
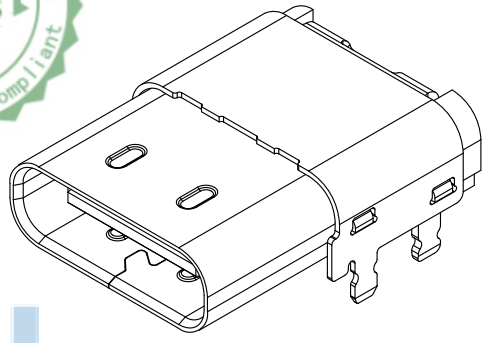
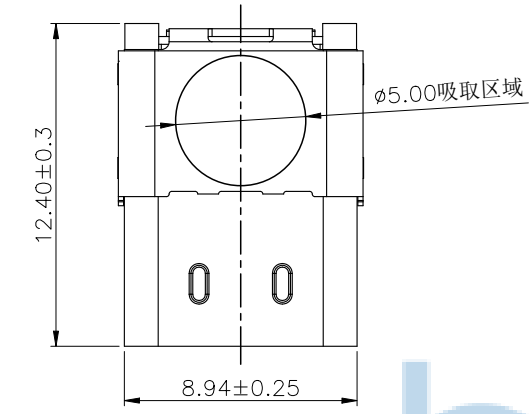




REV	ECN NO	CONTENT	DATE	ENGINEER
A0		INITIAL RELEASE	/	SGF

REMARKS (备注):

- CONTACT INSERTION AND WITHDRAW FORCE (插拔力):
 - 1.1. Insertion force (插入力): 5N-20N max.
 - 1.2. Withdrawal force (拔出力): 8N-20N.
 - 1.3. Durability (耐久性): 10000Cycles.
- ELECTRIC PROPERTY (电气性能):
 - 2.1. Contact current rating (额定电流): 5A.
 - 2.2. Dielectric Strength (介电强度): 100V AC (RMS).
 - 2.3. Insulation Resistance (绝缘电阻): 100 megaohms (兆欧) min.
 - 2.4. Contact resistance (接触电阻):
 - 40mOhms MAX. FOR VBUS, GND AND OTHER CONTACT.
 - 50mOhms MAX. AFTER ENVIRONMENT TEST.
- AMBIENT TEMPERATURE (温度环境):
 - 3.1. Operating temperature (制造温度): -55° C to +85° C.



RECOMMENDED PCB LAYOUT (COMPONENT SIDE)
TOLERANCE: ±0.05



USB TYPE-C PIN ASSIGNMENTS

PIN NUMBER	SIGNAL NAME	PIN NUMBER	SIGNAL NAME
A1	GND	B12	GND
A2	SSTXp1	B11	SSRXp1
A3	SSTXn1	B10	SSRXn1
A4	Vbus	B9	Vbus
A5	CC1	B8	SBU2
A6	Dp1	B7	Dn2
A7	Dn1	B6	Dp2
A8	SBU1	B5	CC2
A9	Vbus	B4	Vbus
A10	SSRXn2	B3	SSTXn2
A11	SSRXp2	B2	SSTXp2
A12	GND	B1	GND

ITEM	DESCRIPTION	MATERIAL	REMARKS
6	Outer-Shell	SUS-304 T=0.20mm	Ni:50U"
5	Shell	SUS-304 T=0.30mm	Ni:50U"
4	Shrapnel	SUS-304 T=0.12mm	
3	Tatch	SUS-301 T=0.15mm	
2	Terminal	C7025 T=0.15mm	Ni:50U", Au:3U", Sn:60U"
1	Housing	LCP	UL94-0 BLACK

THIS DOCUMENT IS THE SOLE PROPERTY OF BBJconn Technology Co.,Ltd. Corporation AND SHOULD NOT BE USED IN WHOLE PRIOR WRITTEN PERMISSION.

PDWG NO: 0366-2

深圳市步步精科技有限公司

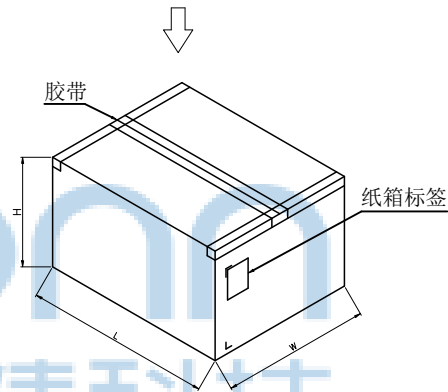
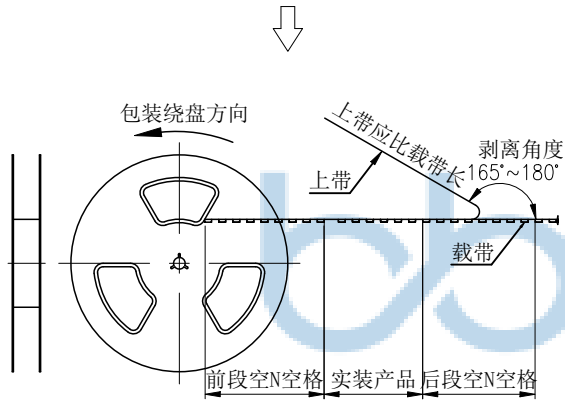
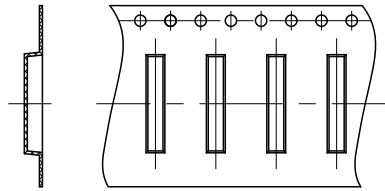
NAME: TYPE-C 24P 母座 四脚插 带柱 双壳 双排端子SMT L=12.4 镀金3U 编带

APPD: JM_Zheng
CHKD: LYX
DR: SGF

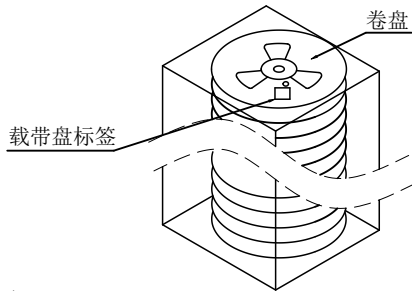
PJ NO: 126-221-240003-N5G
SIZE:A4
FINISH:SEE NOTES
SCALE:N/A

DRW NO:
MAT'L:SEE NOTES
REV:A0
UNIT:mm

PAGE:1/2



纸箱规格: W345*L345*H230MM



备注:

- 1、包装数量: 800/PCS/卷, 5卷/箱。
- 2、包装袋长度: 每卷前后各空10-20个空格, 中间包装。
- 3、材质:
载体: 聚丙烯 (PS), 阻抗 $10^{6-9} \Omega$
上带: 聚乙烯 (PET), 阻抗 $10^{6-11} \Omega$
卷盘: 聚苯乙烯。



THIS DOCUMENT IS THE SOLE PROPERTY OF BBJconn Technology Co., Ltd. Corporation AND SHOULD NOT BE USED IN WHOLE PRIOR WRITTEN PERMISSION.		深圳市步步精科技有限公司 .X: ± 0.38 .XX: ± 0.25 .XXX: ± 0.13 X': $\pm 3'$ X'': $\pm 2'$ XX': $\pm 1'$		NAME: TYPE-C 24P 母座 四脚插 带柱 双壳 双排端子SMT L=12.4 镀金3U 编带	
APPD	JM_Zheng		PJ NO: 126-221-240003-N5G		
CHKD	LYX		SIZE:A4	DRW NO:	
PDWG NO: 0366-2		DR	SGF	FINISH:SEE NOTES	MAT'L:SEE NOTES
				SCALE:N/A	REV:A0
				UNIT:mm	PAGE:2/2