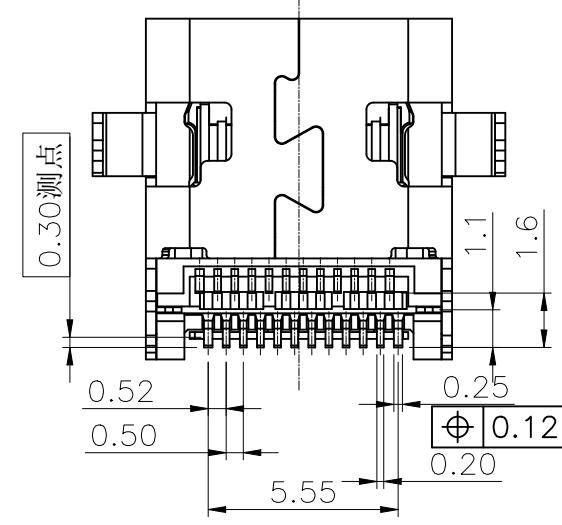
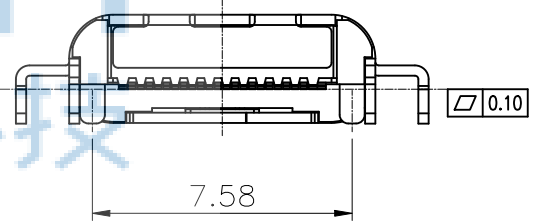
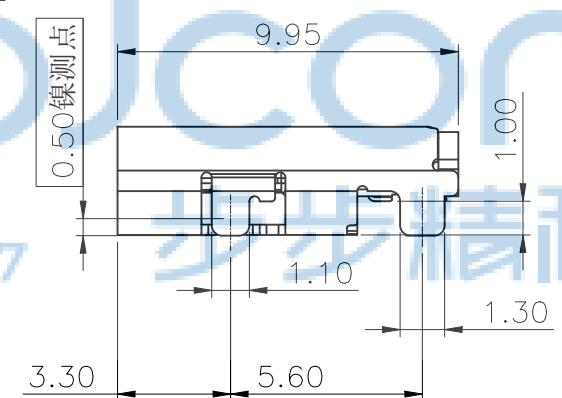
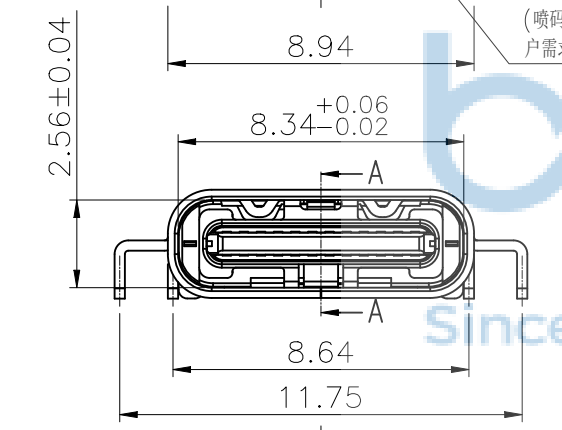
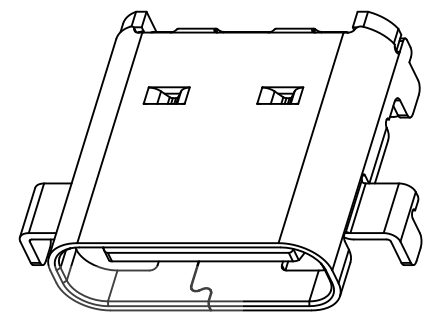
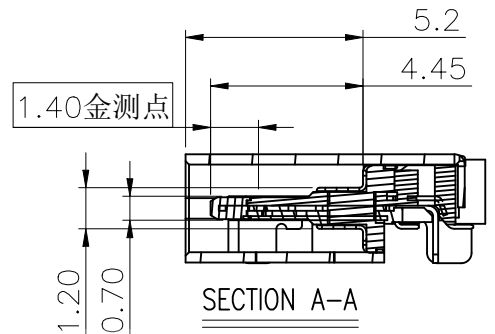
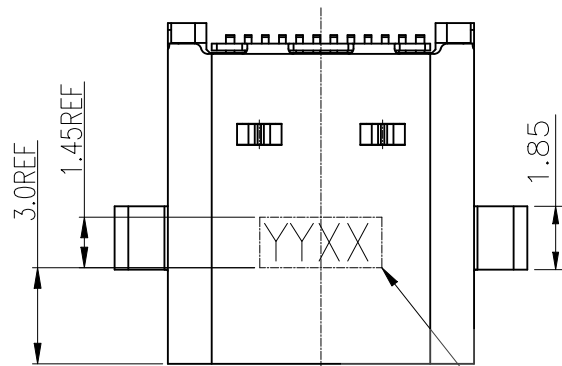




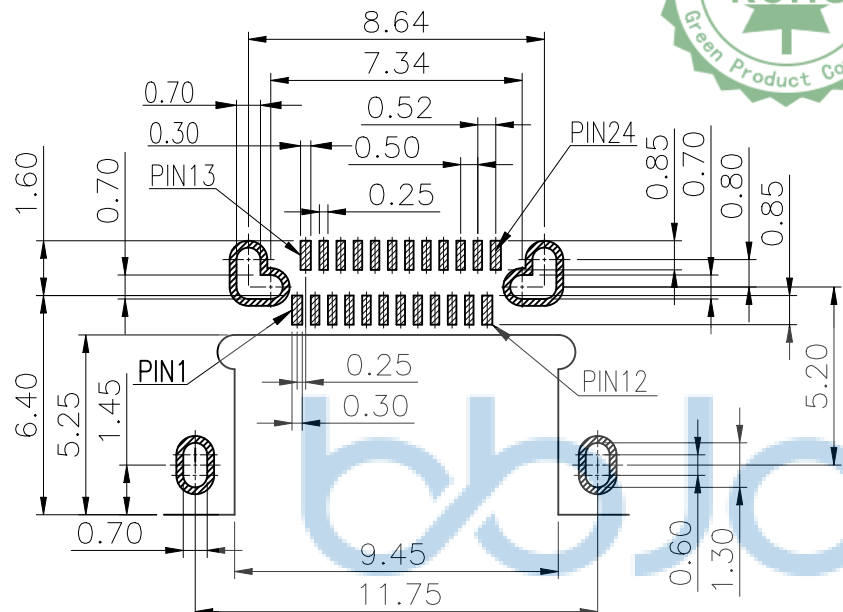
REV.	ECN NO.	CONTENT	DATE	ENGINEER
A0		Initial release	/	SGF



THIS DOCUMENT IS THE SOLE PROPERTY OF BBJconn Technology Co., Ltd. Corporation AND SHOULD NOT BE USED IN WHOLE OR IN PART WITHOUT PRIOR WRITTEN PERMISSION.		 <b>深圳市步步精科技有限公司</b>	
PDWG.NO: 0366-2		.X: ±0.38 .XX: ±0.25 .XXX: ±0.13	X': ±3' .X': ±2' .XX': ±1'
APPD.	JM_Zheng	NAME: TYPE-C 24P 母座 沉板1.0 双排SMT 四脚插 L=9.95 CH=0.6 编带	
CHKD.	LYX	 PJ. NO.: 126-221-240006-N5G SIZE: A4   DRW NO.:	
DR.	SGF	FINISH: SEE NOTES	MAT'L.: SEE NOTES
		SCALE: N/A	REV.: A0   UNIT: mm   PAGE: 1/3



REV.	ECN NO.	CONTENT	DATE	ENGINEER
AO		Initial release	/	SGF



RECOMMENDED PCB LAYOUT

NOTES:

- MECHANICAL PERFORMANCE,
  - INSERTION FORCE: 5N~20N.
  - REMOVAL FORCE: 5N~20N.
  - DURABILITY: 10000 CYCLES.
- ELECTRICAL PERFORMANCE,
  - CURRENT RATING:3.0A  
VOLTAGE RATING:5.0V
  - LLCR:VBUS & GND PINS AND OTHER PINS: 40mΩ/PIN MAX.SHIELD: 50mΩ/MAX.
  - INSULATION RESISTANCE: 100MΩ MIN
  - DIELECTRIC WITHSTAND VOLTAGE,AC 100V FOR 1 MINUTE.
- ENVIRONMENTAL PERFORMANCE:  
OPERATING TEMPERATURE: -25°C~+85°C.

PIN NUMBER	SIGNAL NAME	PIN NUMBER	SIGNAL NAME
A1	GND	B12	GND
A2	SSTXp1	B11	SSRXp1
A3	SSTXn1	B10	SSRXn1
A4	VBUS	B9	VBUS
A5	CC1	B8	SBU2
A6	Dp1	B7	Dn2
A7	Dn1	B6	Dp2
A8	SBU1	B5	CC2
A9	VBUS	B4	VBUS
A10	SSRXn2	B3	SSTXn2
A11	SSRXp2	B2	SSTXp2
A12	GND	B1	GND



NO.	PART NAME	MATERIAL	FINISH
5	EMI SPRING	SUS304R-1/2H T=0.10	Cleaning
4	MID-PLATE	SUS301R-H T=0.15	Plating Ni 50u"Min.
3	OUTER SHELL	SUS304R-1/2H T=0.30	Plating Ni 50u"Min. Overall
2	TERMINALS	C18140-H T=0.12	Contact Area Plating Au See table, 80u"Ni Overall, Soldering Tail Plating Matte-Tin 120u" Min.
1	HOUSING	LCP+30%GF	Black,UL 94V-0

THIS DOCUMENT IS THE SOLE PROPERTY OF BBJconn Technology Co.,Ltd. Corporation AND SHOULD NOT BE USED IN WHOLE OR IN PART WITHOUT PRIOR WRITTEN PERMISSION. PDWG.NO: 0366-2

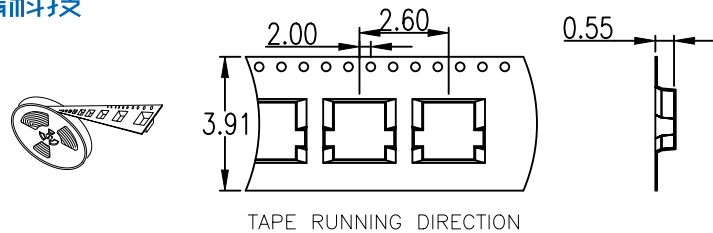
**深圳市步步精科技有限公司**

NAME: TYPE-C 24P 母座 沉板1.0 双排SMT 四脚插 L=9.95 CH=0.6 编带

PJ. NO.: 126-221-240006-N5G  
SIZE: A4  
FINISH: SEE NOTES  
SCALE: N/A

APPD. JM\_Zheng  
CHKD. LYX  
DR. SGF

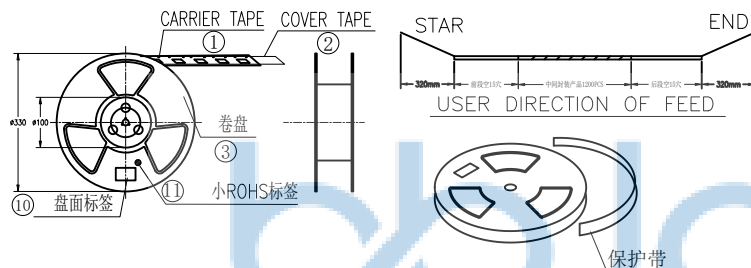
MAT'L.: SEE NOTES  
REV.: AO  
UNIT: mm  
PAGE: 2/3



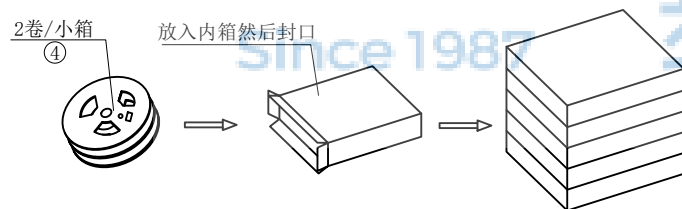
第一步: 产品摆入载带中 (应注意产品摆放方向和载带拉出方向要正确)



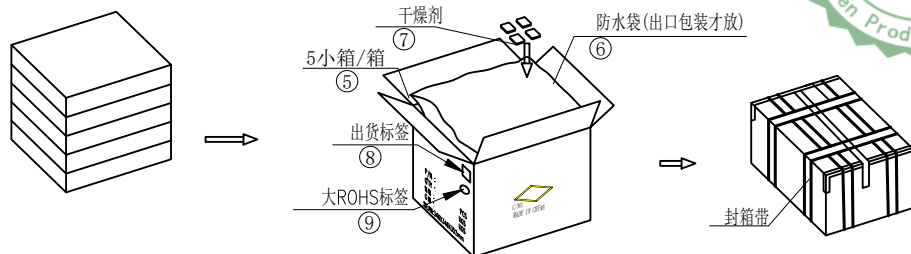
- NOTE: 1. 如图所示, 将成品按规定之包装数量置入CARRIER TAPE中, 再将COVER TAPE贴合, 并于卷盘上贴上盘面标签和ROHS标签各一张。  
 2. 每2卷装入一小箱, 计2400PCS/小箱;  
 3. 每5小箱装入一外箱内, 每箱置四袋干燥剂, 共. 12000PCS/箱;  
 4. 纸箱封盖后以封箱胶封箱, 并于侧面贴上出货标签和ROHS标签;  
 5. 标签; 若客户另有贴标签要求, 则按其订单注明之要求贴;  
 6. 外箱以封箱带绑固; 若为出口包装, 请在每箱内套一防水袋。  
 7. 纸箱尺寸及印刷见包材图面。  
 8. 未满足之零数箱, 需以缓冲材料填满。(总毛重仅作参考, 出货以实称为准)



第二步: 封带贴标签 (应注意封带不能盖孔不能超边, 标签位置正确)



第三步: 装内箱封口 (应注意卷盘标签面朝上, 封口整齐)



第四步: 装外箱贴标签 (应注意封口整齐, 标签位置正确)

产品数量	产品单重	产品净重	参考总毛重
12000PCS	0.595g	7.14KG	7.75KG

序号	包材名称	PCS/盘	盘/箱	包装总数量	单位	备注
⑪	小ROHS标签	10	PCS	015.7		
⑩	盘面标签	10	PCS			
⑨	大ROHS标签	1	PCS	040.0		
⑧	出货标签	1	PCS			
⑦	干燥剂	5	BAG			
⑥	防水袋	1	PCS			
⑤	外纸箱	1	PCS	346*346*352 K=K		内径
④	内纸箱	5	PCS	332*332*61mm A3B		内径
③	卷盘	10	SET	Ø330*100mm, W=24mm		
②	COVER TAPE	1200	10	PCS		W=21.3mm, 20.3M/REEL
①	CARRIER TAPE					W=24mm, T=0.30mm, 19.7M/REEL



THIS DOCUMENT IS THE SOLE PROPERTY OF BBJconn Technology Co.,Ltd. Corporation AND SHOULD NOT BE USED IN WHOLE OR IN PART WITHOUT PRIOR WRITTEN PERMISSION. PDWG:NO: 0366-2

**深圳市步步精科技有限公司**

NAME: TYPE-C 24P 母座 沉板1.0 双排SMT 四脚插 L=9.95 CH=0.6 编带

APPD: JM\_Zheng  
CHKD: LYX  
DR: SGF

PJ. NO.: 126-221-240006-N5G  
SIZE: A4  
FINISH: SEE NOTES  
SCALE: N/A

MAT'L.: SEE NOTES  
DRAW NO.:  
REV.: AO  
UNIT: mm  
PAGE: 3/3