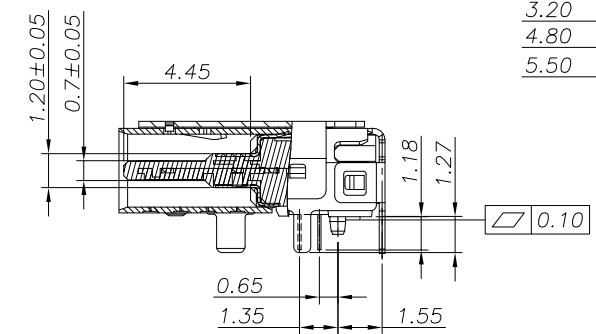
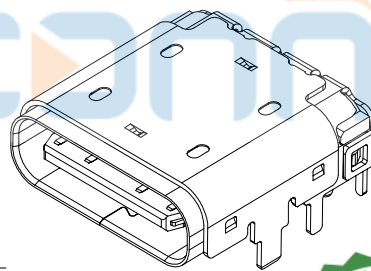
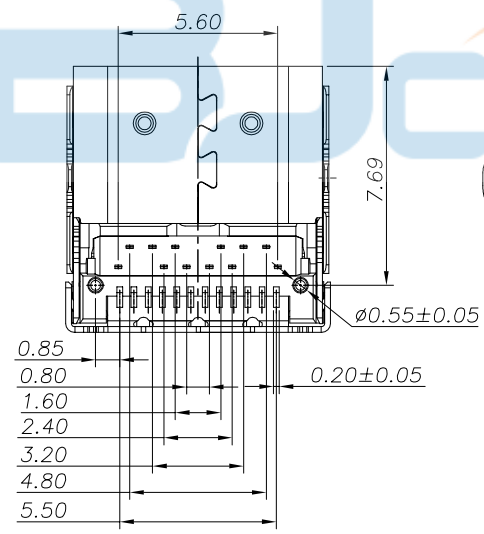
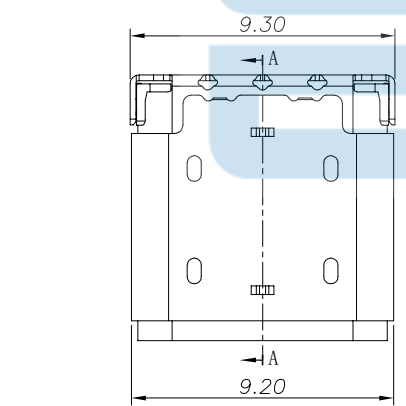
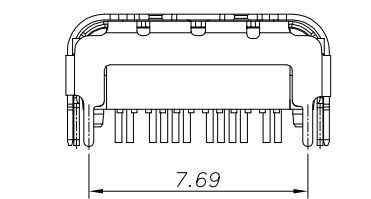
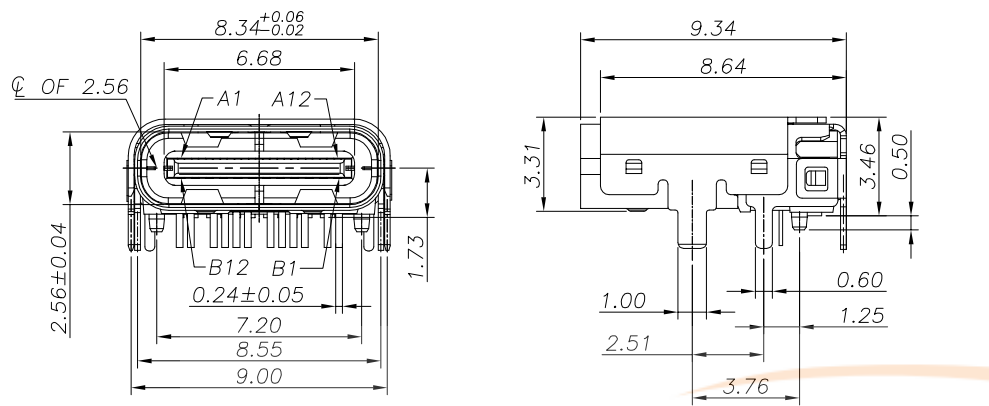




REV.	DESCRIPTION	NAME	DATE
A	NEWS ISSUE		



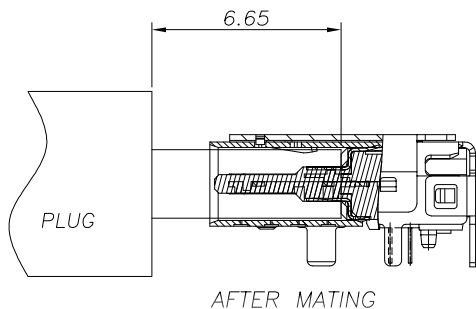
NOTE:

- MATERIAL SPECIFICATION:
  - HOUSING:LCP COLOR SEE TABLE 1,UL94 V-0.
  - CONTACTS:COPPER ALLOY (C1814)
  - MID PLATE&SPRING: STAINLESS STEEL (SUS301)
  - FRONT SHELL&COVER: STAINLESS STEEL (SUS304)
- PLATING SPECIFICATION:
  - CONTACTS:
    - Ni 50u" MIN. UNDER PLATED OVER ALL.
    - Au PLATED ON THE FUNCTIONAL AREA OF CONTACT.
  - FRONT SHELL & COVER:
    - Ni 30u" MIN. UNDER PLATED OVER ALL.
  - MID PLATE & EMI SPRING:
    - CLEAR ONLY
- MECHANICAL PERFORMANCE,
  - INSERTION FORCE: 0.5~2.0kgf.
  - REMOVAL FORCE: 0.8kgf~2.0kgf.
  - DURABILITY: 10000 CYCLES.
- ELECTRICAL PERFORMANCE,
  - CURRENT RATING:3.0A  
VOLTAGE RATING:5.0V
  - LLCR:
    - VBUS & GND PINS AND OTHER PINS: 40mΩ/PIN MAX.
    - SHIELD: 50mΩ/MAX.
    - LLCR MAX. CHANGE OF ALL PINS: 10mΩ.
  - INSULATION RESISTANCE: 100MΩ MIN
  - DIELECTRIC WITHSTAND VOLTAGE, AC 100V FOR 1 MINUTE.
- ENVIRONMENTAL PERFORMANCE:
  - OPERATING TEMPERATURE: -25° C~+85° C.
  - IR REFLOW:
    - THE PEAK TEMPERATURE ON THE BOARD SHALL BE MAINTAINED FOR 10 SECONDS AT 260° C.

X. ±0.50 X.* ± 2°		深圳市步步精科技有限公司 TITLE: TYPE-C 24P 母座 板上双壳 六脚插 带柱 L=9.34 CH=1.73 端子SMT+DIP 外壳有缺口	
.X ±0.30 .X.* ± 1°			
.XX ±0.10 .XX.* ± 0.5°		DRAWN/ DATE 设计 LHC SIZE:A4 UNIT:MM. PART. NO: 126-223-240004-N5G	
.XXX ± 0.05		CHECKED/ DATE 审核 LYX SCALE: 1:1 PROJECTION  REV.: 版本	
APPROVED/ DATE 核准 LJP		DWG. PATH 0366-2 SHEET: 页码	

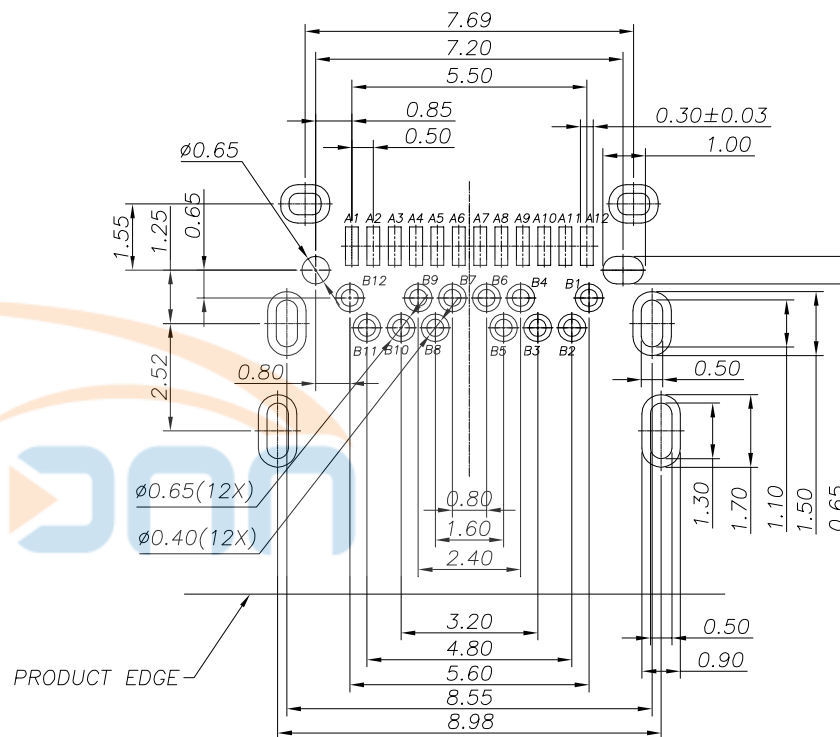


REV.	DESCRIPTION	NAME	DATE
A	NEWS ISSUE		



USB TYPE-C PIN ASSIGNMENTS

PIN NUMBER	SIGNAL NAME	PIN NUMBER	SIGNAL NAME
A1	GND	B12	GND
A2	SSTXp1	B11	SSRXp1
A3	SSTXn1	B10	SSRXn1
A4	Vbus	B9	Vbus
A5	CC1	B8	SBU2
A6	Dp1	B7	Dn2
A7	Dn1	B6	Dp2
A8	SBU1	B5	CC2
A9	Vbus	B4	Vbus
A10	SSRXn2	B3	SSTXn2
A11	SSRXp2	B2	SSTXp2
A12	GND	B1	GND



SCALE 1.5:1

RECOMMENDED PCB LAYOUT(TOP VIEW)  
THICKNESS 1.0 MM;DEFAULT TOLERANCE:±0.05



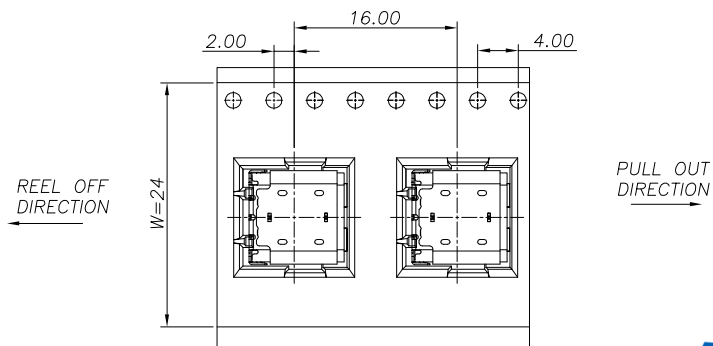
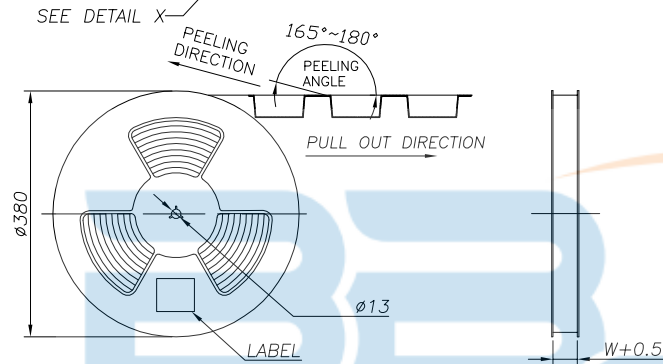
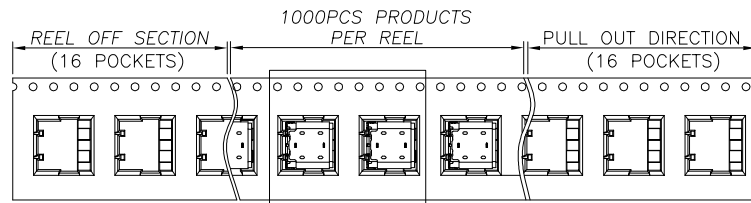
X.	±0.50	X.*	± 2°
.X	±0.30	.X*	± 1°
.XX	±0.10	.XX*	± 0.5°
.XXX	±0.05		

**深圳市步步精科技有限公司**

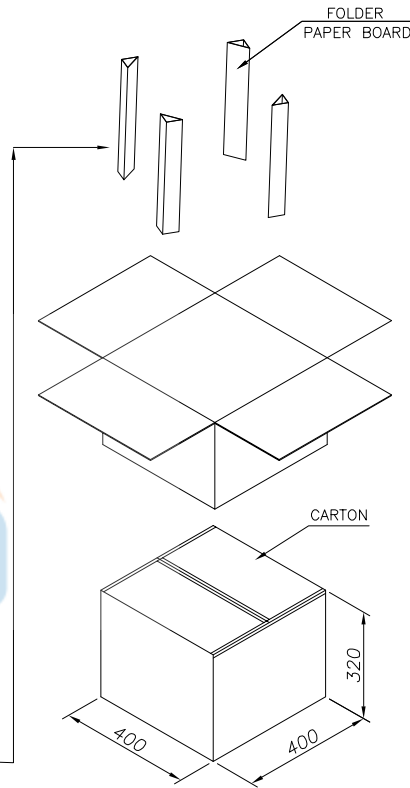
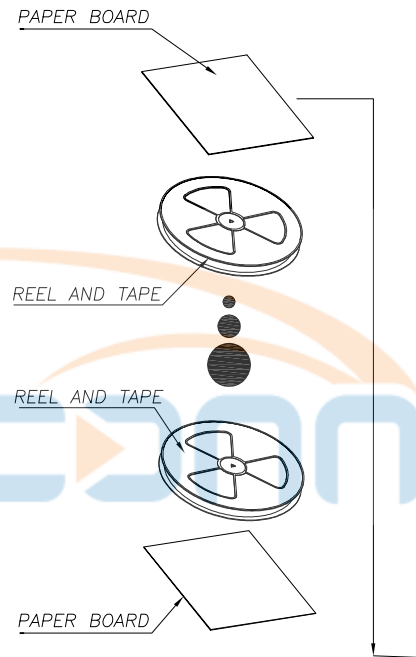
TITLE: TYPE-C 24P 母座 板上双壳 六脚插 带柱  
L=9.34 CH=1.73 端子SMT+DIP 外壳有缺口

DRAWN/ DATE	设计	LHC	SIZE:A4	UNIT:MM.	PART. NO: 126-223-240004-N5G
CHECKED/ DATE	审核	LYX	SCALE: 1:1	PROJECTION	REV.: 版本
APPROVED/ DATE	核准	LJP	DWG. PATH	0366-2	SHEET: 页码

REV.	DESCRIPTION	NAME	DATE
A	NEWS ISSUE		



DETAIL X  
SCALE 2:1



	REEL/TRAY	CARTON
CONNECTOR (PCS)	1000	10000



X. ±0.50 X* ± 2° .X ±0.30 .X* ± 1° .XX ±0.10 .XX* ± 0.5° .XXX ± 0.05		深圳市步步精科技有限公司			
		TITLE: TYPE-C 24P 母座 板上双壳 六脚插 带柱 L=9.34 CH=1.73 端子SMT+DIP 外壳有缺口			
DRAWN/DATE	设计 LHC	SIZE:A4	UNIT:MM.	PART. NO: 126-223-240004-N5G	
CHECKED/DATE	审核 LYX	SCALE: 1:1		PROJECTION	REV.: 版本
APPROVED/DATE	核准 LJP	DWG. PATH	0366-2		SHEET: 页码