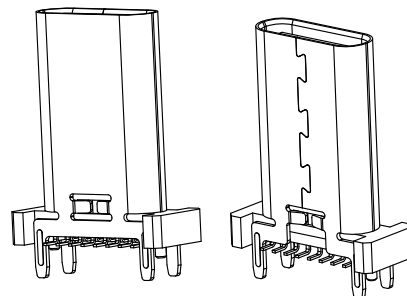
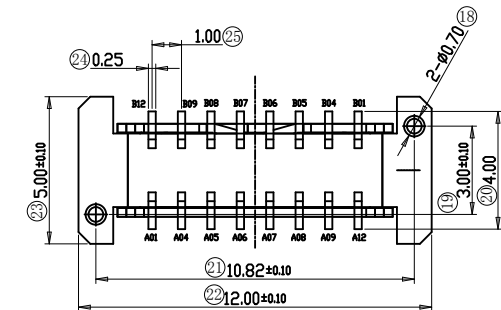
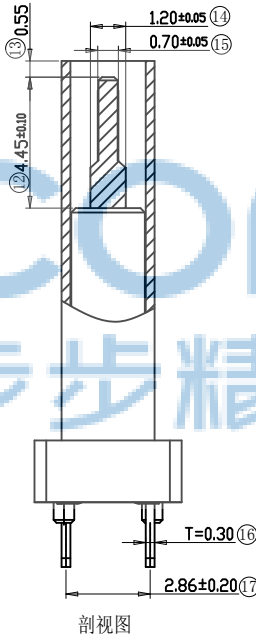
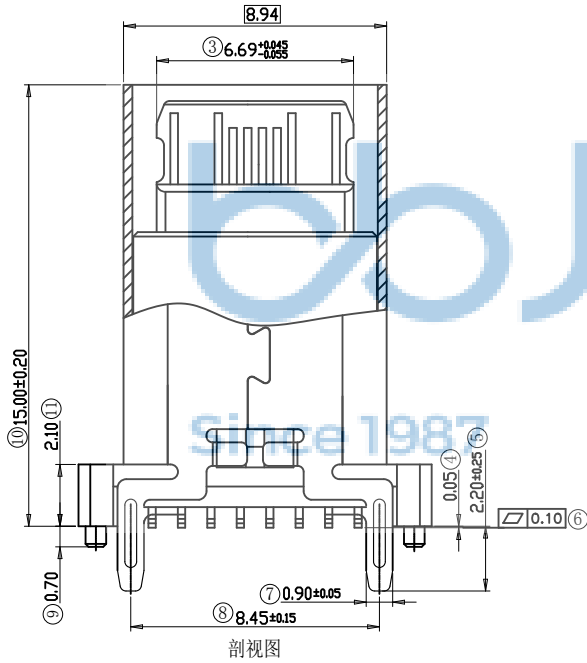


RECOMMENDED P.C.B. LAYOUT (T:1.00mm)  
TOLERANCE UNSPECIFIED ±0.05mm



REV.	ECN NO	CONTENT	DATE	ENGINEER
A0				

特性:

- 电气性能: ELECTRICAL
  - 额定电流: 5.0A
  - 接触阻抗: 40 MILLIOHMS MAX
  - 耐电压: 150V AC / 1 mA MAX
  - 绝缘阻抗: 150V DC/100 MEGA OHMS MIN
- 机械性能:
  - 插入力: 5~20N
  - 拨出力: 8~20N
  - 使用寿命: 10000次、拨出力 5N MIN
- 材料: MATERIAL
  - 塑胶: LCP/PA9T UL94V-0
  - 端子: C7025/C1814 T=0.15MM
  - 外壳: SUS304 T=0.30MM
  - 卡勾: SUS304 T=0.15MM
- 电镀: FINISH
  - 端子: 接触点镀金G/F.  
PIN脚焊接区域镀金G/F.
  - 外壳: 镀镍50U"MIN (盐雾48H)
- 电镀品需做粘锡测试: 粘锡面积达到95%以上.
- SMT回流焊 (峰值260° C±5° C) 不能起泡、熔胶、变色不良 (变形在公差范围以内)
- 工作温度: -40° C~+85° C

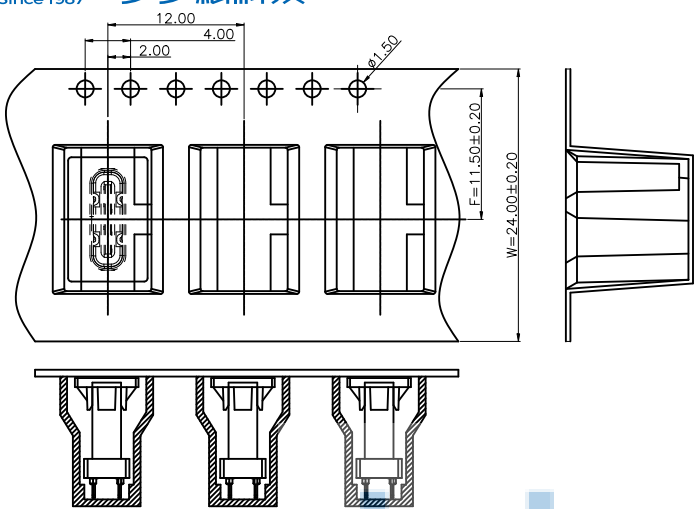


A1	GND	B12	GND
A4	VBUS	B9	VBUS
A5	CC1	B8	SBU2
A6	D+	B7	D-
A7	D-	B6	D+
A8	SBU1	B5	CC2
A9	VBUS	B4	VBUS
A12	GND	B1	GND
PIN	SIGNAL NAME	PIN	SIGNAL NAME

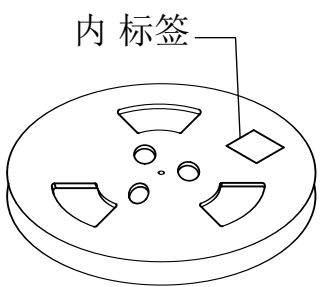
6	SHELL	STAINLESS STEEL SUS304	Ni Plated 60u	1PCS
5	SHIELDING PLATE	STAINLESS STEEL SUS304	---	1PCS
4	MD	HIGH TEMPERATURE PLASTIC LCP	BLACK/orange	1PCS
3	CONTACT	COPPER ALLOY C7025	Au G/F Ni Plated 60-120u"	1SET
2	CONTACT	COPPER ALLOY C7025	Au G/F Ni Plated 60-120u"	1SET
1	HOUSING	HIGH TEMPERATURE PLASTIC LCP	BLACK	1PCS
NO.	DESCRIPTION	MATERIAL	REMARKS	QTY

THIS DOCUMENT IS THE SOLE PROPERTY OF BBJconn Technology Co., Ltd. Corporation AND SHOULD NOT BE USED IN WHOLE OR IN PART WITHOUT PRIOR WRITTEN PERMISSION.		深圳市步步精科技有限公司 NAME: TYPE-C 16P 母座 直立式 四脚插 带柱 H=15.0 端子SMT 端子镀金G/F 高导电C7025 加盖编带 .X: ±0.38 .X': ±3" .XX: ±0.25 .X'': ±2" .XXX: ±0.13 .XX': ±1"	
APPD.	JM_Zheng	PJ. NO.: 126-224-160017-N5G	
CHKD.	LYX	SIZE: A4 DRW NO.:	
PDWG.NO:	0366-2	FINISH: SEE NOTES	MAT'L.: SEE NOTES
DR.	TSP	SCALE: N/A	REV.: A0 UNIT: mm PAGE: 1/2

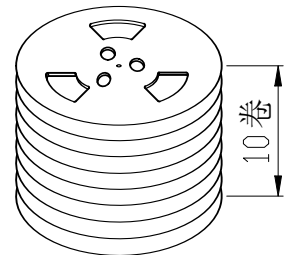
REV.	ECN NO	CONTENT	DATE	ENGINEER
AO				



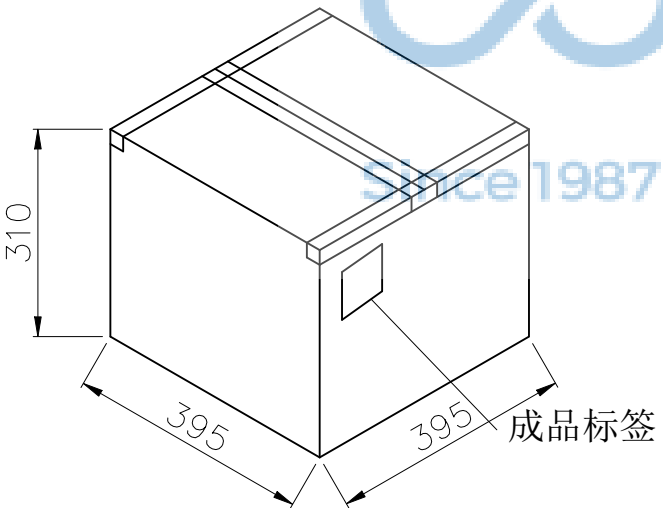
① 产品入载带示意图



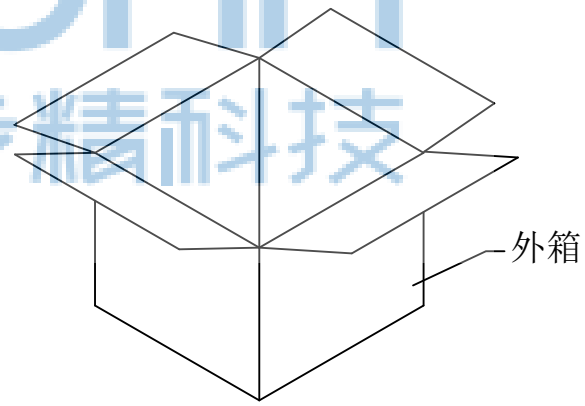
② 卷盘贴标签示意图



③ 8盘产品叠层示意图



⑤ 外箱封箱示意图



④ 产品入外箱示意图

- 包装说明:
- 将检验好的成品;SMT朝下放入载带底部;每卷装300PCS产品;具体如图一所示
  - 将包装好的产品;每盘必需贴上内标签;具体如图二所示
  - 将贴好内标签的产品每8盘叠;具体如图三所示
  - 装好后并封好纸箱及贴好相关标签;具体如图五所示:  
(产品包装的标签,如客户有要求,请按客户要求包装出货)
  - 载带前面留10PCS空格,后面留10PCS空格
  - COVER与CARRY剥离力:50-125g,速度:300mm/分钟左右,剥离角度:165°-180°



THIS DOCUMENT IS THE SOLE PROPERTY OF BBJconn Technology Co.,Ltd. Corporation AND SHOULD NOT BE USED IN WHOLE OR IN PART WITHOUT PRIOR WRITTEN PERMISSION.		深圳市步步精科技有限公司 工程管理部	
.X: ±0.38 .XX: ±0.25 .XXX: ±0.13		X*: ±3" X*: ±2" XX*: ±1"	
APPD. JM_Zheng		NAME: TYPE-C 16P 母座 直立式 四脚插 带柱 H=15.0 端子SMT 端子镀金G/F 高导电C7025 加盖编带	
CHKD. LYX		PJ. NO.: 126-224-160017-N5G	
DR. TSP		SIZE: A4 DRW NO.:	
PDWG.NO: 0366-2		FINISH: SEE NOTES MAT'L.: SEE NOTES	
		SCALE: N/A REV.: AO UNIT: mm PAGE: 2/2	