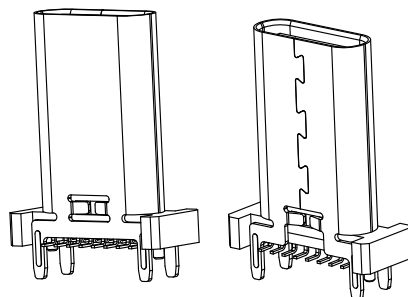
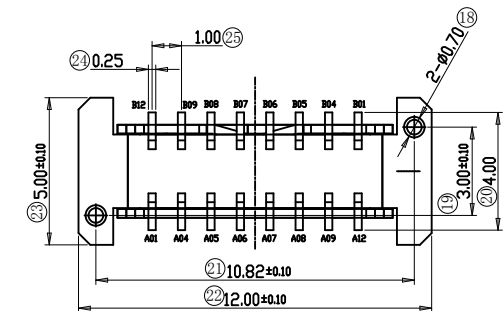
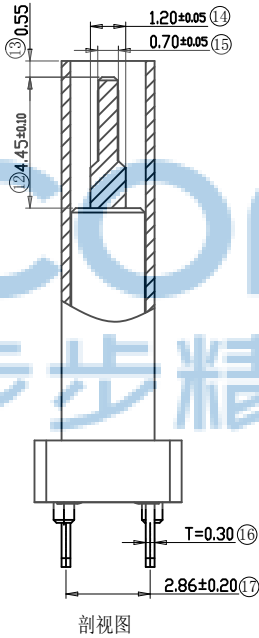
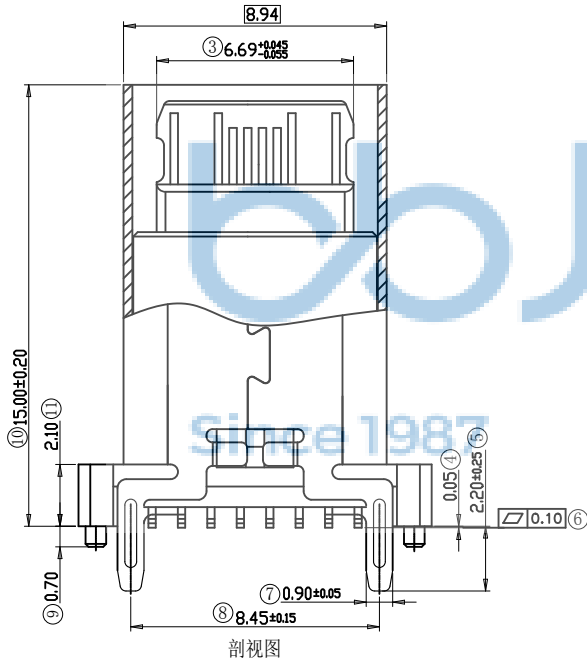


RECOMMENDED P.C.B. LAYOUT (T:1.00mm)  
TOLERANCE UNSPECIFIED ±0.05mm



REV.	ECN NO	CONTENT	DATE	ENGINEER
A0				

特性:

- 一、电气性能: ELECTRICAL
  1. 额定电流: 5.0A
  2. 接触阻抗: 40 MILLIOHMS MAX
  3. 耐电压: 150V AC / 1 mA MAX
  4. 绝缘阻抗: 150V DC/100 MEGA OHMS MIN
- 二、机械性能:
  1. 插入力: 5°20N
  2. 拨出力: 8°20N
  3. 使用寿命: 10000次、拨出力 5N MIN
- 三、材料: MATERIAL
  1. 塑胶: LCP/PA9T UL94V-0
  2. 端子: C7025/C1814 T=0.15MM
  3. 外壳: SUS304 T=0.30MM
  4. 卡勾: SUS304 T=0.15MM
- 四、电镀: FINISH
  1. 端子: 接触点镀金3U"MIN  
PIN脚焊接区域镀金1U"MIN.
  2. 外壳: 镀镍50U"MIN (盐雾48H)
- 五、电镀品需做粘锡测试: 粘锡面积达到95%以上、
- 六、SMT回流焊 (峰值260° C±5° C) 不能起泡、  
熔胶、变色不良 (变形在公差范围以内)
- 七、工作温度: -40° C~+85° C



A1	GND	B12	GND
A4	VBUS	B9	VBUS
A5	CC1	B8	SBU2
A6	D+	B7	D-
A7	D-	B6	D+
A8	SBU1	B5	CC2
A9	VBUS	B4	VBUS
A12	GND	B1	GND
PIN	SIGNAL NAME	PIN	SIGNAL NAME

6	SHELL	STAINLESS STEEL SUS304	Ni Plated 60u	1PCS
5	SHIELDING PLATE	STAINLESS STEEL SUS304	---	1PCS
4	MD	HIGH TEMPERATURE PLASTIC LCP	BLACK/orange	1PCS
3	CONTACT	COPPER ALLOY C7025	Au3u/Ni Plated 60-120u"	1SET
2	CONTACT	COPPER ALLOY C7025	Au3u/Ni Plated 60-120u"	1SET
1	HOUSING	HIGH TEMPERATURE PLASTIC LCP	BLACK	1PCS
NO.	DESCRIPTION	MATERIAL	REMARKS	QTY

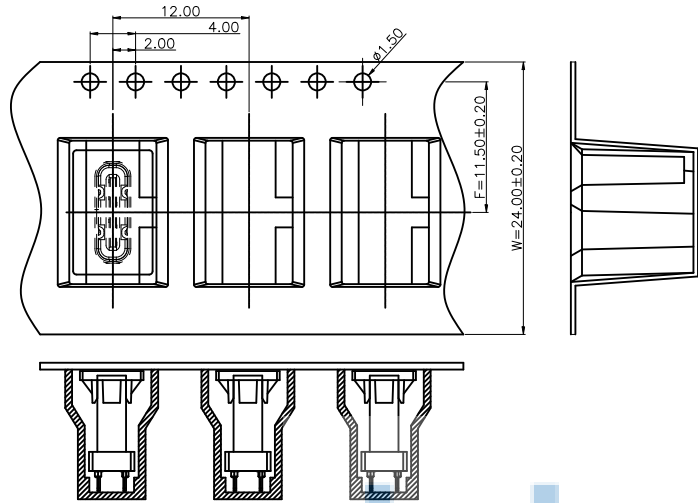
THIS DOCUMENT IS THE SOLE PROPERTY OF **深圳市步步精科技有限公司**  
BBJconn Technology Co., Ltd.  
Corporation AND SHOULD NOT BE USED IN WHOLE OR IN PART WITHOUT PRIOR WRITTEN PERMISSION.  
PDWG.NO: 0366-2

NAME: TYPE-C 16P 母座 直立式 四脚插 带柱 H=15.0  
端子SMT 端子镀金3u 高导电C7025 LCP橙胶 加盖编带

APPD. JM\_Zheng  
CHKD. LYX  
DR. TSP

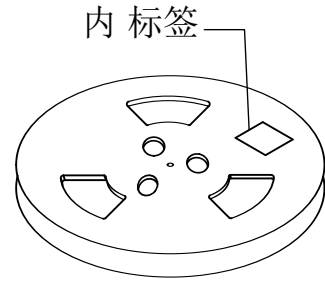
PJ. NO.: 126-224-160020-N5G  
SIZE: A4 DRW NO.:  
FINISH: SEE NOTES MAT'L.: SEE NOTES  
SCALE: N/A REV.: A0 UNIT: mm PAGE: 1/2

REV.	ECN NO	CONTENT	DATE	ENGINEER
AO				

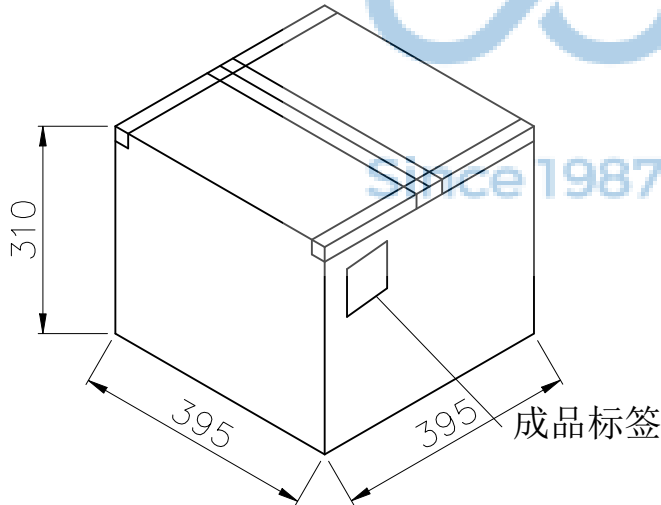
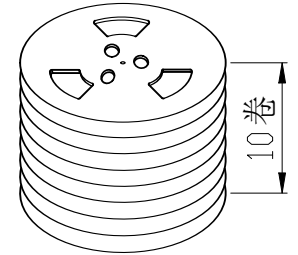


① 产品入载带示意图

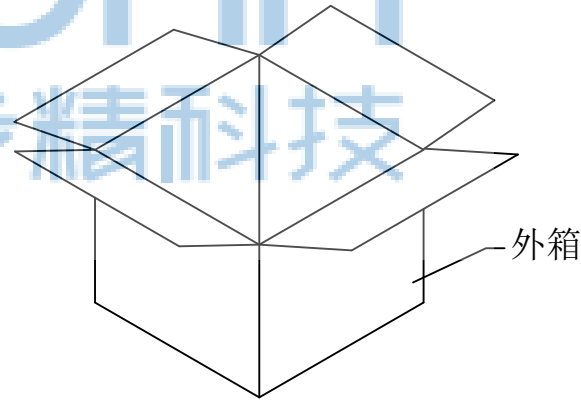
② 卷盘贴标签示意图



③ 8盘产品叠层示意图



⑤ 外箱封箱示意图



④ 产品入外箱示意图

包装说明:

1. 将检验好的成品;SMT朝下放入载带底部;每卷装300PCS产品;具体如图一所示
2. 将包装好的产品;每盘必需贴上内标签;具体如图二所示
3. 将贴好内标签的产品每8盘叠;具体如图三所示
5. 装好后并封好纸箱及贴好相关标签;具体如图五所示:  
(产品包装的标签,如客户有要求,请按客户要求包装出货)
6. 载带前面留10PCS空格,后面留10PCS空格
7. COVER与CARRY剥离力:50-125g,速度:300mm/分钟左右,剥离角度:165°-180°



THIS DOCUMENT IS THE SOLE PROPERTY OF BBJconn Technology Co.,Ltd. Corporation AND SHOULD NOT BE USED IN WHOLE OR IN PART WITHOUT PRIOR WRITTEN PERMISSION.		深圳市步步精科技有限公司 工程管理部	
APPD.	JM_Zheng	NAME:	TYPE-C 16P 母座 直立式 四脚插 带柱 H=15.0 端子SMT 端子镀金3u 高导电C7025 LCP橙胶 加盖编带
CHKD.	LYX	PJ. NO.:	126-224-160020-N5G
DR.	TSP	SIZE:	A4 DRW NO.:
PDWG.NO:	0366-2	FINISH:	SEE NOTES
		MAT'L.:	SEE NOTES
		SCALE:	N/A
		REV.:	AO
		UNIT:	mm
		PAGE:	2/2