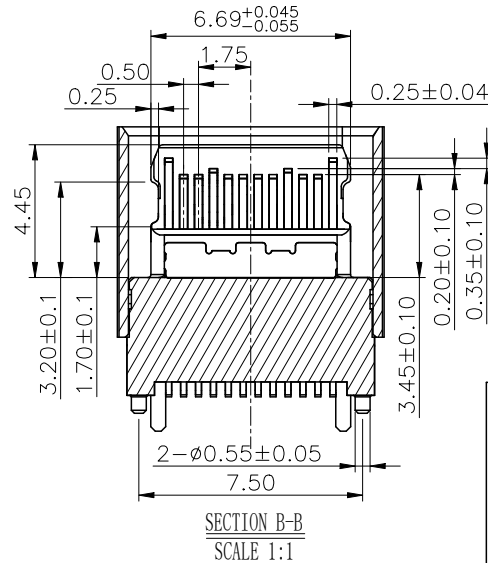
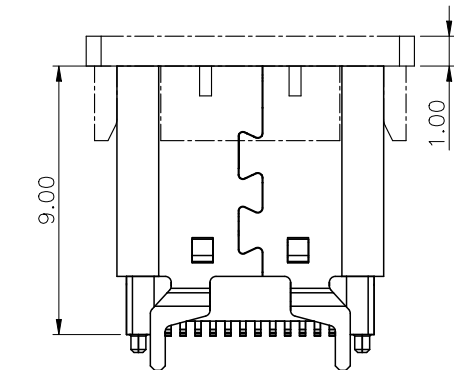
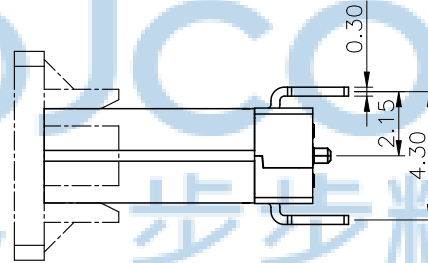
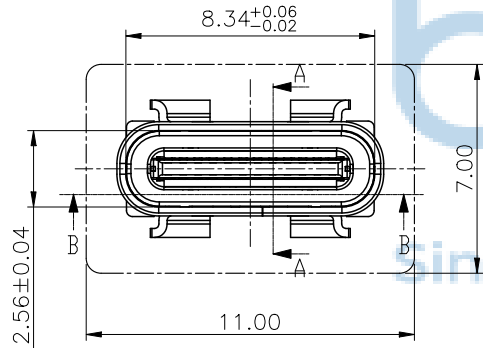
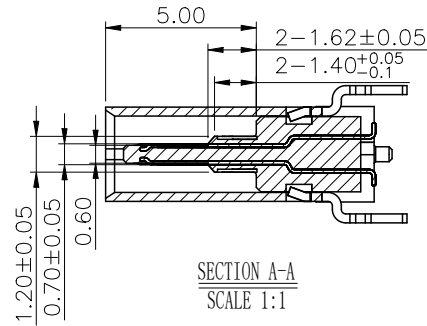
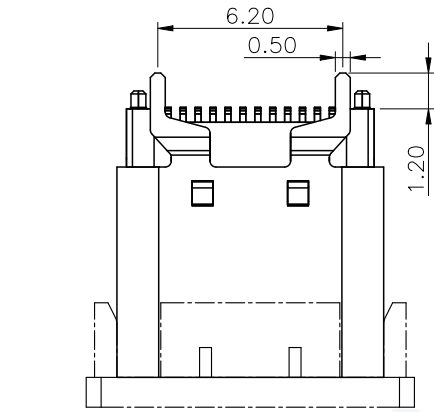


REV	ECN NO	CONTENT	DATE	ENGINEER
A0		INITIAL RELEASE	/	SGF

NOTES:

- MATERIAL:
 - MOLDING: LCP UL94 V-0
 - CONTACT: COPPER ALLOY.
 - PLATED GOLD ON CONTACT AREA, G/F GOLD ON SOLDER AREA, 50u" NICKEL PLATING OVER ALL.
 - SHELL: SUS304-H,T=0.30±0.03mm
 - 50u" NICKEL PLATING OVER ALL.
 - EMI SHILD: SUS301-H,T=0.10±0.03mm
 - LATCH: SUS301-H,T=0.15±0.03mm
- MECHANICAL:
 - INSERTION: 5~20N.
 - EXTRACTION: 8~20N.
 - DURABILITY: 10000 CYCLES
- ELECTRICAL:
 - CURRENT: 5A MIN FOR VBUS;
 - 0.25A MIN FOR OTHER.
 - VOLTAGE: 5VAC MAX
 - WITHSTANDING VOLTAGE: 100V AC.
 - CONTACT RESISTANCE: 40mΩ MAX.
 - INSULATION RESISTANCE: 100MΩ MIN.
- ENVIRONMENTAL
 - TEMPERATURE RANGE: -30°C TO +80°C



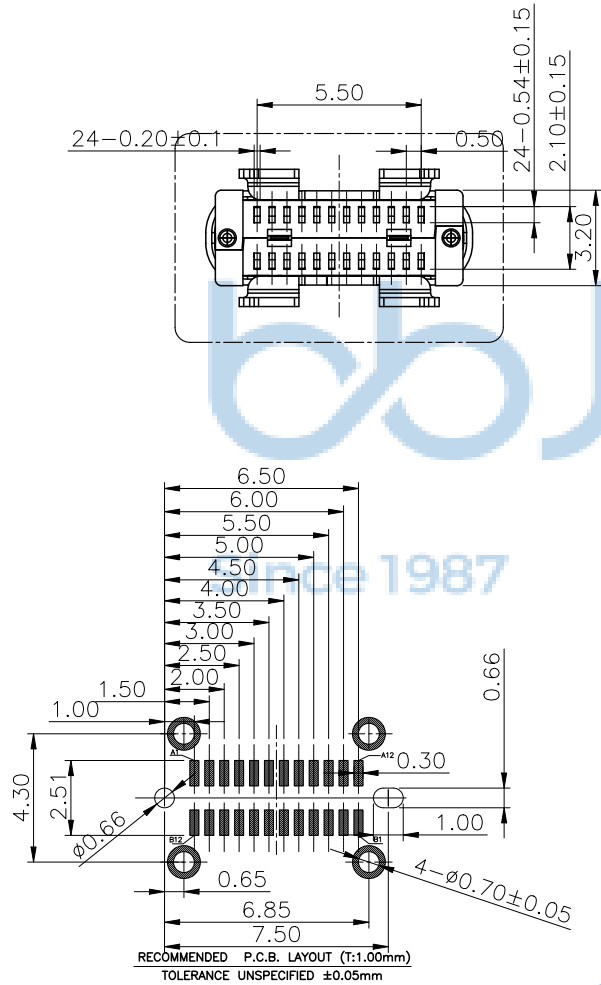
THIS DOCUMENT IS THE
SOLE PROPERTY OF
BBJconn Technology Co.,Ltd.
Corporation AND SHOULD
NOT BE USED IN WHOLE
PRIOR WRITTEN PERMISSION.

深圳市步步精科技有限公司		NAME: TYPE-C 24P 母座 直立式 四脚插 脚距6.2 端子SMT 带柱 不锈钢外壳 H=9.0 编带	
.X: ±0.38 .XX: ±0.25 .XXX: ±0.13	X': ±3" X'': ±2" XX': ±1"	APPD: JM_Zheng	PJ NO: 126-224-240007-N5G
CHKD: LYX	DR: SGF	SCALE: N/A	REV: A0
PDWG NO: 0366-2	FINISH: SEE NOTES	MAT'L: SEE NOTES	UNIT: mm
			PAGE: 1/4



REV	ECN NO	CONTENT	DATE	ENGINEER
A0		INITIAL RELEASE	/	SGF

USB TYPE-C FULL-FEATURED RECEPTACLE INTERFACE PIN ASSIGNMENTS



PIN	Signal Name	Description	PIN	Signal Name	Description
A1	GND	Ground return	B12	GND	Ground return
A2	SSTXp1	Positive half of first SuperSpeed TX differential pair	B11	SSTXp1	Positive half of first SuperSpeed TX differential pair
A3	SSTXn1	Negative half of first SuperSpeed TX differential pair	B10	SSTXn1	Negative half of first SuperSpeed TX differential pair
A4	VBUS	Bus Power	B9	VBUS	Bus Power
A5	CC1	Configuration Channel	B8	CC1	Configuration Channel
A6	Dp1	Positive half of the USB 2.0 differential pair-Position 1	B7	Dp1	Positive half of the USB 2.0 differential pair-Position 1
A7	Dn1	Negative half of the USB 2.0 differential pair-Position 1	B6	Dn1	Negative half of the USB 2.0 differential pair-Position 1
A8	RFU1	Reserved for Future Use (RFU)	B5	RFU1	Reserved for Future Use (RFU)
A9	VBUS	Bus Power	B4	VBUS	Bus Power
A10	SSRXn2	Negative half of second SuperSpeed RX differential pair	B3	SSRXn2	Negative half of second SuperSpeed RX differential pair
A11	SSRXp2	Positive half of second SuperSpeed RX differential pair	B2	SSRXp2	Positive half of second SuperSpeed RX differential pair
A12	GND	Ground return	B1	GND	Ground return



THIS DOCUMENT IS THE SOLE PROPERTY OF BBJconn Technology Co.,Ltd. Corporation AND SHOULD NOT BE USED IN WHOLE PRIOR WRITTEN PERMISSION. PDWG NO: 0366-2

深圳市步步精科技有限公司

NAME: TYPE-C 24P 母座 直立式 四脚插 脚距6.2 端子SMT 带柱 不锈钢外壳 H=9.0 编带

PJ NO: 126-224-240007-N5G

SIZE:A4 DRW NO:

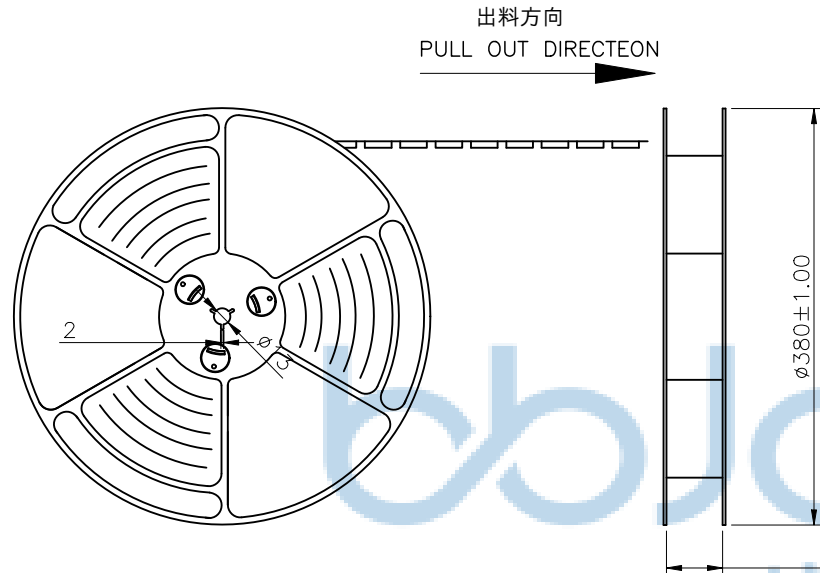
FINISH:SEE NOTES MAT'L:SEE NOTES

SCALE:N/A REV:A0 UNIT:mm PAGE:2/4

APPD JM_Zheng

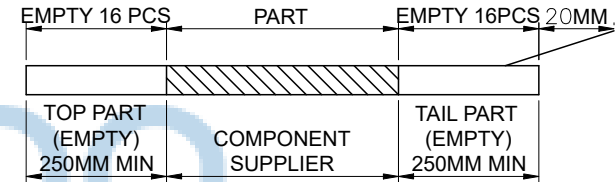
CHKD LYX

DR SGF

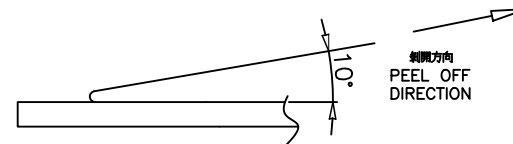
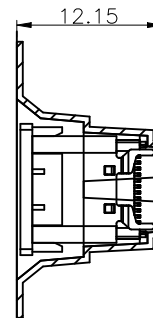
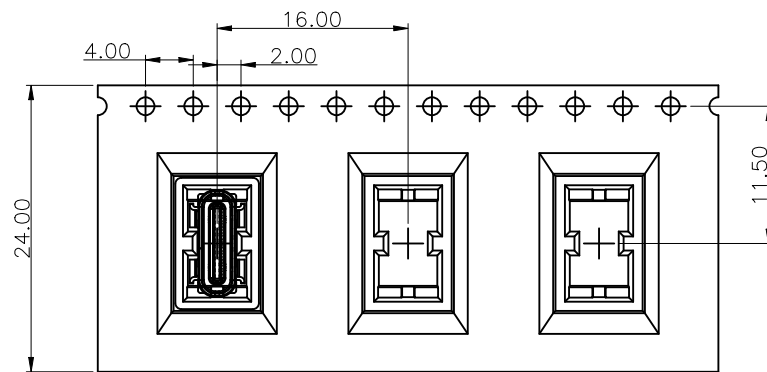


NOTES

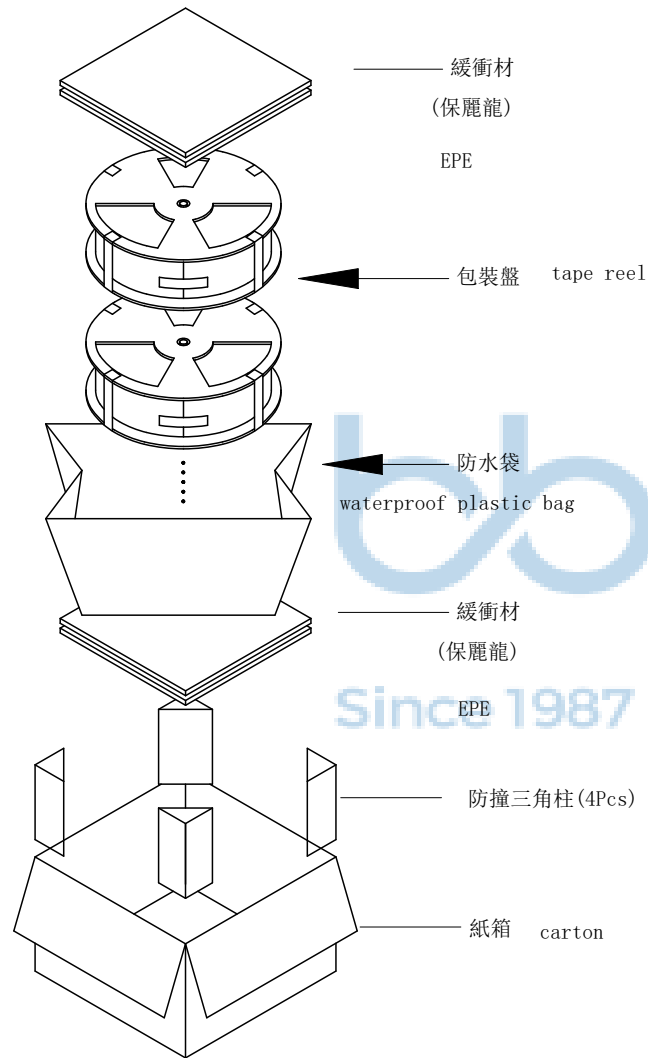
- 帶子引導長度
LEAD TAPE LENGTH
出料方向
PULL OUT DIRECTEON



- W ± 0.08 ± 0.20
Z. 上帶 對力力為: 0.1~1.3N(10.2gf~130gf)
PEELING OFF FORCE OF TOP TAPE: 0.1~1.3N(10.2gf~130gf)
出貨運輸過程中一定注意:
THIS REQUIREMENT SHOULD BE APPLIED AT SHIPMENT:
卷帶在運輸過程中不能散開
PEELING OFF SHOULD NOT BE ALLOWED DURING TRANSPORTATION

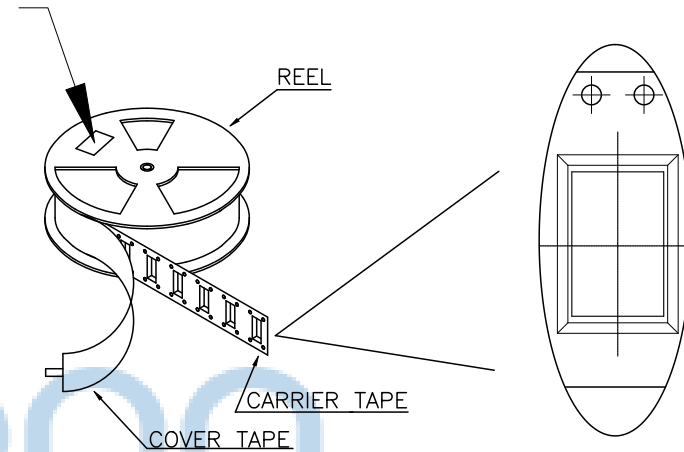


THIS DOCUMENT IS THE SOLE PROPERTY OF BBJconn Technology Co.,Ltd. Corporation AND SHOULD NOT BE USED IN WHOLE PRIOR WRITTEN PERMISSION.		深圳市步步精科技有限公司 .X: ±0.38 .XX: ±0.25 .XXX: ±0.13 X': ±3' .X': ±2' .XX': ±1'		NAME: TYPE-C 24P 母座 直立式 四脚插 脚距6.2 端子SMT 带柱 不锈钢外壳 H=9.0 编带	
APPD	JM_Zheng	PJ NO: 126-224-240007-N5G		SIZE:A4 DRW NO:	
CHKD	LYX	FINISH:SEE NOTES		MAT'L:SEE NOTES	
PDWG NO: 0366-2	DR	SGF	SCALE:N/A	REV:AO	UNIT:mm PAGE:3/4



at small positioning hole of the carrier tape side).
標籤黏貼處 (朝捲裝包材的小定位孔一側)

Location of label sticking (label)



NOTE:

1. 每捲包裝數量及每箱裝箱數量如左下表格。
Packing q'ty of each reel & carton as below table shown.
2. 每個紙箱放2個珍珠棉
Every carton use 2pcs EPE.
3. 將裝滿產品的卷盤放入紙箱并以膠帶封口
Put reels in the carton and use adhesive tape to seal up.

包裝容量 (PACKING CAPACITY)			重量 WEIGHT (Kg)		
PCS/REEL	REELS/CARTON	PCS/CARTON	N.W./PCS	N.W./BOX	G.W./BOX
600	7	4200			



THIS DOCUMENT IS THE
SOLE PROPERTY OF
BBJconn Technology Co.,Ltd.
Corporation AND SHOULD
NOT BE USED IN WHOLE
PRIOR WRITTEN PERMISSION.
PDWG NO: 0366-2

bbJconn 深圳市步步精科技有限公司

.X: ±0.38	X': ±3'	NAME: TYPE-C 24P 母座 直立式 四脚插 脚距6.2 端子SMT 带柱 不锈钢外壳 H=9.0 编带	
.XX: ±0.25	.X': ±2'		
.XXX: ±0.13	.XX': ±1'		
APPD	JM_Zheng	PJ NO: 126-224-240007-N5G	
CHKD	LYX		SIZE:A4 DRW NO:
DR	SGF	FINISH:SEE NOTES	MAT'L:SEE NOTES
		SCALE:N/A	REV:AO
		UNIT:mm	PAGE:4/4