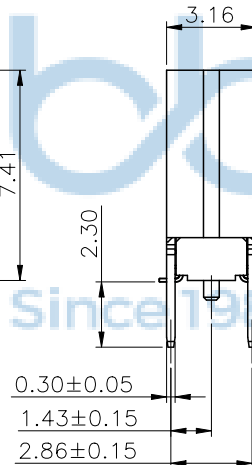
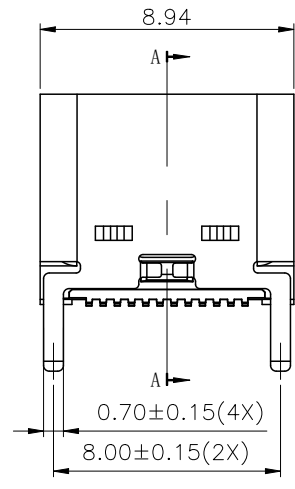
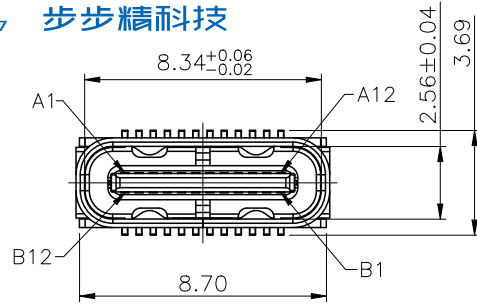


REV	ECN NO	CONTENT	DATE	ENGINEER
A0		INITIAL RELEASE	/	SGF

NOTES:

SPECIFICATION:

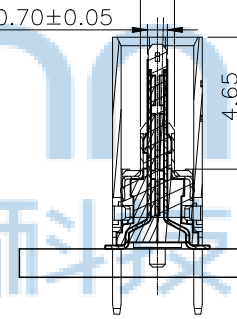
- CURRENT RATING: 5.0 A
- VOLTAGE RATING: 5.0 V
- VBUS & GND PINS AND OTHER PINS: 40mΩ/PIN MAX  
SHIELD: 50mΩ/MAX  
LLCR MAX. CHANGE OF ALL PINS: 10mΩ
- INSULATION RESISTANCE: 100MΩ MIN
- DIELECTRIC WITHSTAND VOLTAGE, AC 100V FOR 1MINUTE
- INSERTION FORCE: 0.5~2.0kgf
- UNMATING FORCE: 0.8~2.0kgf
- DURABILITY: 10000 CYCLES
- OPERATING TEMPERATURE: -25°C~+85°C
- THE PEAK TEMPERATURE ON THE BOARD SHALL BE MAINTAINED FOR 10 SECONDS AT 260°C



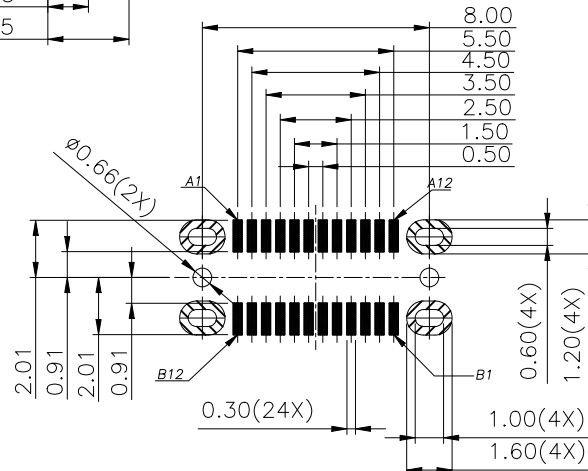
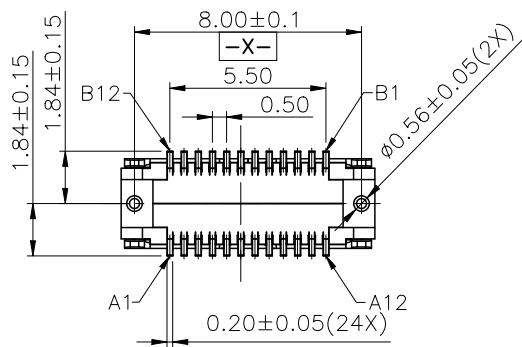
0.10  
ALL CONTACTS

1.20±0.05

0.70±0.05



SECTION: A-A



RECOMMENDED PCB LAYOUT(TOP VIEW)  
THICKNESS 1.0±0.10MM;DEFAULT TOLERANCE:±0.05

TABLE:

NO	PART	Q'TY	Material
1	SHELL	1	STAINLESS STEEL,NI PLATED
2	CONTACT	24	COPPER ALLOY,Au/NI PLATED
3	MID PLATE	1	STAINLESS STEEL,NO PLATING
4	EMI	1	STAINLESS STEEL,NI PLATED
5	HOUSING	1	HIGH TEMPERATURE RESISTANT PLASTIC BLACK UL94 V-0

THIS DOCUMENT IS THE  
SOLE PROPERTY OF

BBJconn Technology Co.,Ltd.  
Corporation AND SHOULD

NOT BE USED IN WHOLE  
PRIOR WRITTEN PERMISSION.

PDWG NO: 0366-2

**深圳市步步精科技有限公司**

.X: ±0.38 X': ±3'  
.XX: ±0.25 .X': ±2'  
.XXX: ±0.13 .XX': ±1'

NAME: TYPE-C 24P 母座 直立式 四脚插 脚长2.3  
带柱 端子SMT H=7.41 编带

APPD JM\_Zheng

CHKD LYX

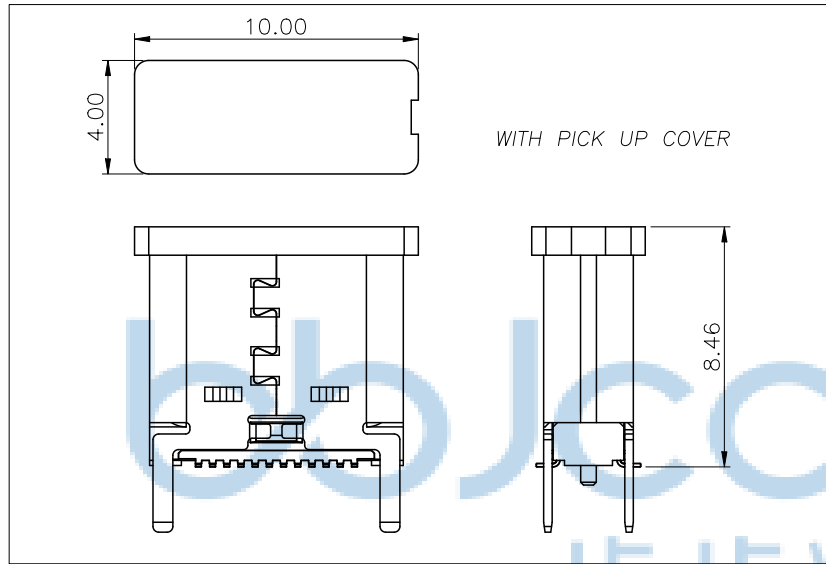
DR SGF

PJ NO: 126-224-240008-N5G

SIZE:A4 DRW NO:

FINISH:SEE NOTES MAT'L:SEE NOTES

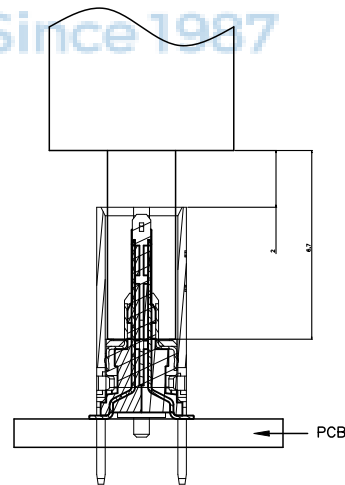
SCALE:N/A REV:A0 UNIT:mm PAGE:1/3



bbJconn  
Since 1987 步步精科技

USB TYPE C PIN ASSIGNMENTS

PIN NUMBER	SIGNAL NAME	PIN NUMBER	SIGNAL NAME
A1	GND	B12	GND
A2	TX1+	B11	TX1+
A3	TX1-	B10	TX1-
A4	VBUS	B9	VBUS
A5	CC1	B8	SBU2
A6	DP1	B7	DN2
A7	DN1	B6	DP2
A8	SBU1	B5	CC2
A9	VBUS	B4	VBUS
A10	RX2-	B3	TX2-
A11	RX2+	B2	TX2+
A12	GND	B1	GND



AFTER MATING

THIS DOCUMENT IS THE  
SOLE PROPERTY OF  
BBJconn Technology Co.,Ltd.  
Corporation AND SHOULD  
NOT BE USED IN WHOLE  
PRIOR WRITTEN PERMISSION.

**深圳市步步精科技有限公司**

.X: ±0.38 X': ±3"  
.XX: ±0.25 .X': ±2"  
.XXX: ±0.13 .XX': ±1"

NAME: TYPE-C 24P 母座 直立式 四脚插 脚长2.3  
带柱 端子SMT H=7.41 编带

APPD JM\_Zheng

PJ NO: 126-224-240008-N5G

CHKD LYX

SIZE:A4 DRW NO:

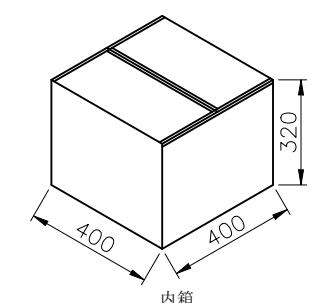
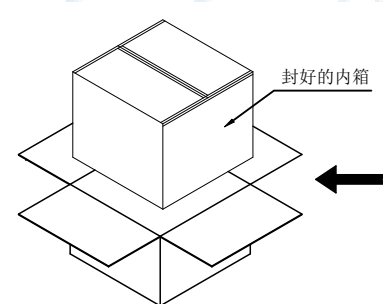
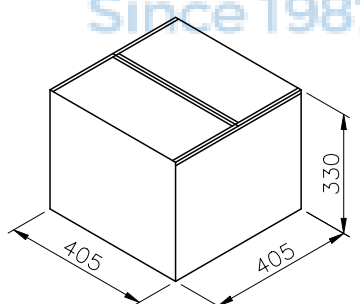
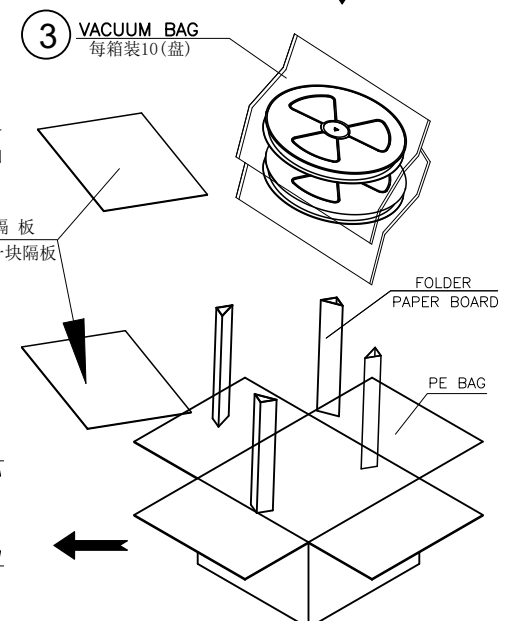
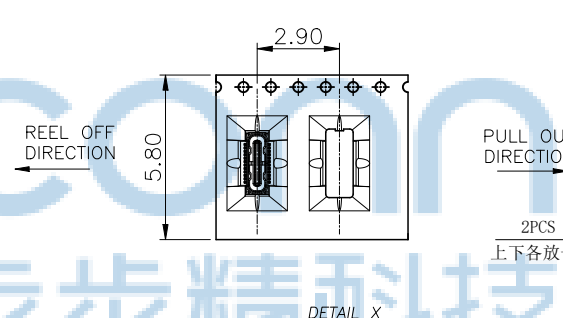
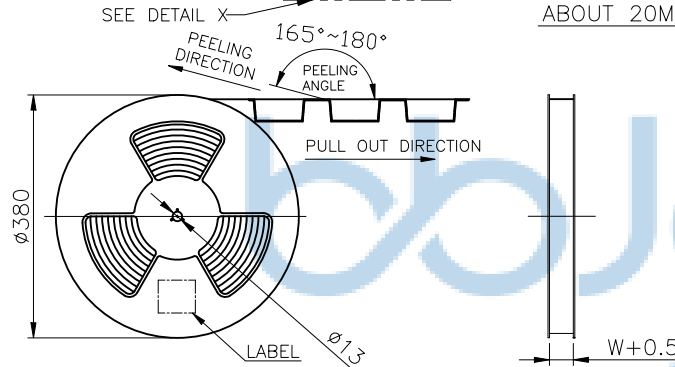
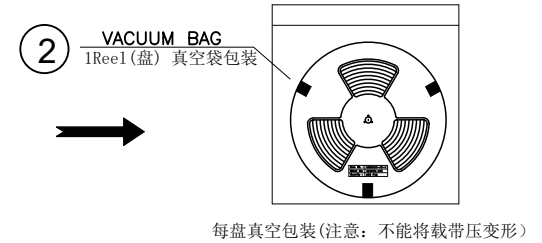
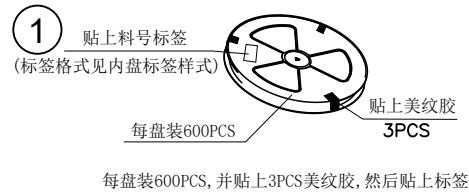
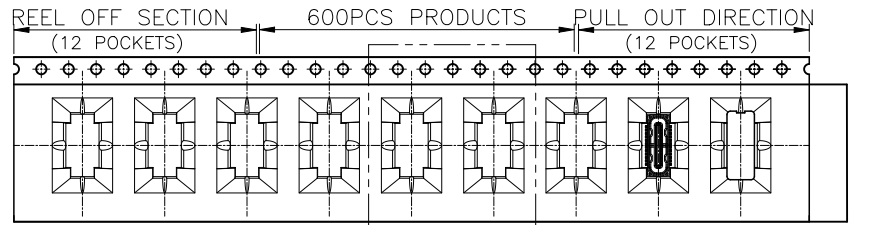
DR SGF

FINISH:SEE NOTES MAT'L:SEE NOTES

PDWG NO: 0366-2

SCALE:N/A REV:A0 UNIT:mm PAGE:2/3

REV	ECN NO	CONTENT	DATE	ENGINEER
A0		INITIAL RELEASE	/	SGF



用封箱胶纸将外箱口于“工”字型封好。

备注:

1. 每盘装600PCS, 并贴上3PCS美纹胶, 然后贴上对应的产品标签。
2. 每盘真空包装 (注意: 不能将载带或盘子压变形)
3. 内箱底部先垫一隔板, 并在外箱四个内角各放置一个三角架, 把10卷(6000PCS)封装好的产品标签一律朝上平放进外箱中上层盖上一隔板, 再用封箱胶纸将外箱口于“工”字型封好。
4. 备注: 脚长0.7的700PCS一盘, 一箱7KPCS  
脚长1.7与2.3的600PCS一盘, 一箱6KPCS



THIS DOCUMENT IS THE SOLE PROPERTY OF BBJconn Technology Co., Ltd. Corporation AND SHOULD NOT BE USED IN WHOLE PRIOR WRITTEN PERMISSION.		深圳市步步精科技有限公司	
PDWG NO: 0366-2		NAME: TYPE-C 24P 母座 直立式 四脚插 脚长2.3 带柱 端子SMT H=7.41 编带	
APPD	JM_Zheng	PJ NO: 126-224-240008-N5G	
CHKD	LYX	SIZE:A4   DRW NO:	
DR	SGF	FINISH:SEE NOTES   MAT'L:SEE NOTES	
		SCALE:N/A   REV:A0   UNIT:mm   PAGE:3/3	