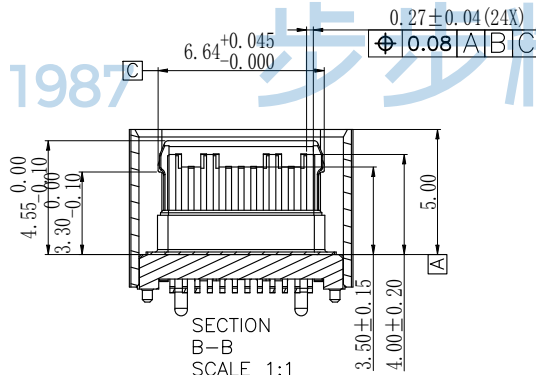
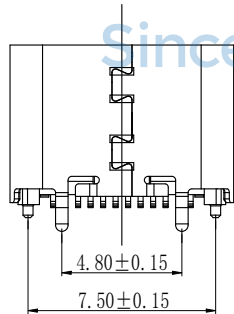
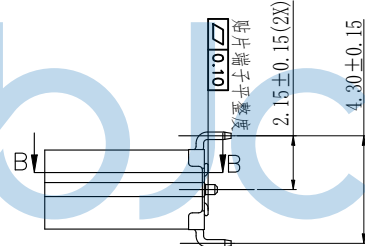
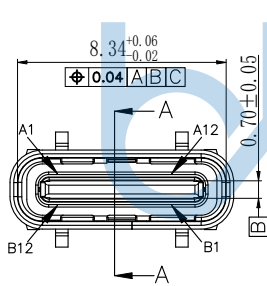
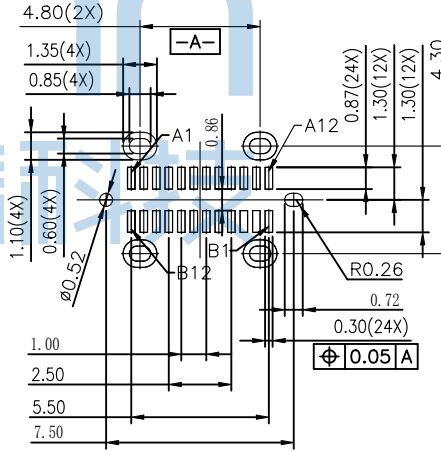


SECTION A-A
SCALE 1:1



SECTION B-B
SCALE 1:1



RECOMMENDED P.C.B LAYOUT
TOLERANCE UNSPECIFIED ±0.05mm

REV.	ECN NO	CONTENT	DATE	ENGINEER
A0		Initial release	/	TSP

Note:

1.Material:

- 1.1 Housing: LCP
- 1.2 Contact:C7025,T=0.15mm
- 1.3 Shell: SUS304 T=0.3mm

2.ELECTRICAL:

2-1:CURRENT RATING:

VBUS AND GND CONTACTS RATED AT 1.25A PARALLELED FOR A TOTAL OF 5A;

2-2:INITIAL CONTACT RESISTANCE :40 MEGOHMS

2-3:DIELECTRIC WITHSTANDING VOLTAGE:

100V AC MIN;

3:MECHANICAL CHARACTERISTICS:

3-1:MATING FORCE:5~20N

3-2:UNMATING FORCE:8~20N(INITIAL),

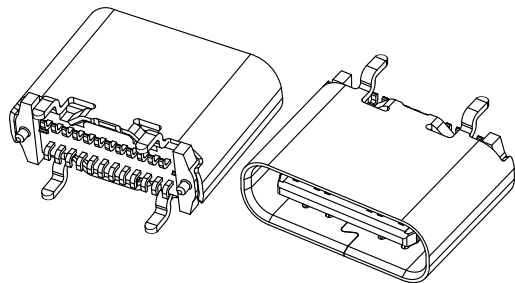
6~20N(AFTER 10000 CYCLES)

3-3:FREQUENCY: 200±50 CYCLES /HOUR, 10000 CYCLES

3-4:OPERATING TEMPERATURE ;-40°~80°.

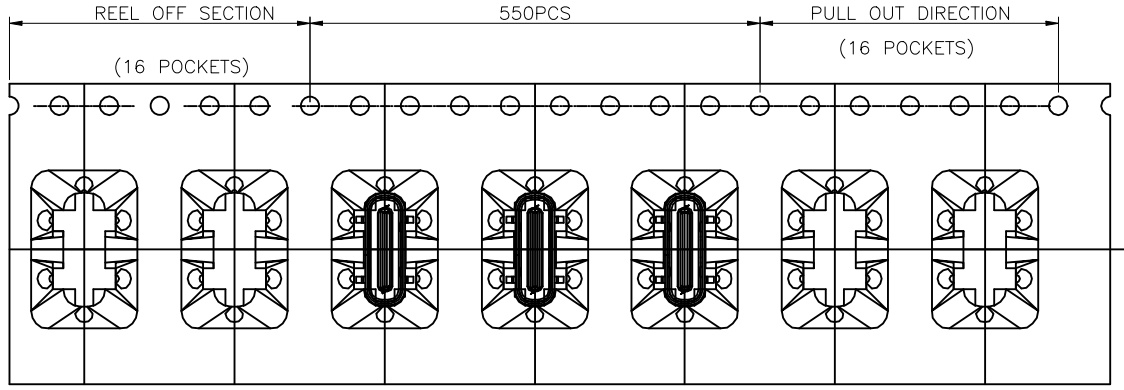


A1	GND	B12	GND
A2	SSTXP1	B11	SSRXP1
A3	SSTXN1	B10	SSRXN1
A4	VBUS	B9	VBUS
A5	CC1	B8	SBU2
A6	DP1	B7	DN2
A7	DN1	B6	DP2
A8	SBU1	B5	CC2
A9	VBUS	B4	VBUS
A10	SSRXN2	B3	SSTXN2
A11	SSRXP2	B2	SSTXP2
A12	GND	B1	GND
PIN	SIGNAL NAME	PIN	SIGNAL NAME

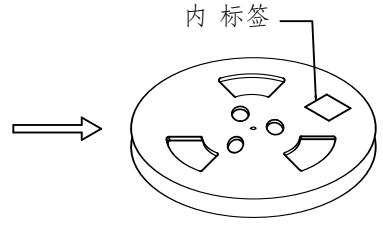


THIS DOCUMENT IS THE SOLE PROPERTY OF BBJconn Technology Co.,Ltd. Corporation AND SHOULD NOT BE USED IN WHOLE OR IN PART WITHOUT PRIOR WRITTEN PERMISSION.		深圳市步步精科技有限公司	
PDWG.NO: 0366-2	DR. TSP	.X: ±0.38 .XX: ±0.25 .XXX: ±0.13	X': ±3' .X': ±2' .XX': ±1'
APPD. JM_Zheng	CHKD. LYX	NAME: TYPE-C 24P 母座 直立式 四脚插 带柱 外壳无弹 H=6.50 LCP橙胶 定制款 编带	
FINISH: SEE NOTES		MAT'L.: SEE NOTES	
SCALE: N/A		REV.: A0	UNIT: mm
PAGE: 1/2			

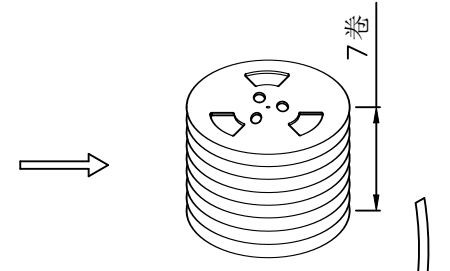
REV.	ECN NO	CONTENT	DATE	ENGINEER
A0		Initial release	/	TSP



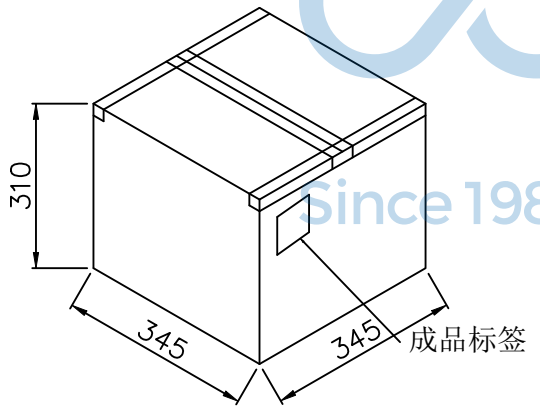
① 产品入载带示意图



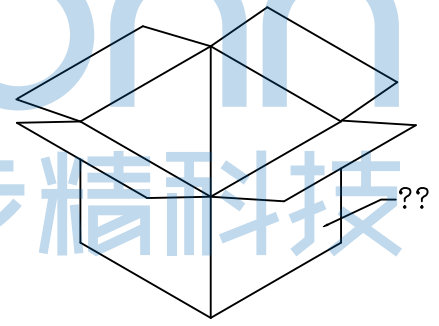
② 卷盘贴标签示意图



③ 7盘产品叠层示意图



⑤ 外箱封箱示意图



④ 产品入外箱示意图



	REEL	CARTON
CONNECTOR (PCS)	600	4200

包装说明:

1. 将检验好的成品;对插口朝前放入载带;每卷装600PCS产品;具体如图一所示
2. 将包装好的产品;每盘必需贴上内标签;具体如图二所示
3. 将贴好内标签的产品每7盘叠;具体如图三所示
5. 装好后并封好纸箱及贴好相关标签;具体如图五所示;
(产品包装的标签,如客户有要求,请按客户要求包装出货)
6. 载带前面留16PCS空格,后面留16PCS空格
7. COVER与CARRY剥离力:50-125g,速度:300mm/分钟左右,剥离角度:165°-180°



THIS DOCUMENT IS THE SOLE PROPERTY OF BBJconn Technology Co.,Ltd. Corporation AND SHOULD NOT BE USED IN WHOLE OR IN PART WITHOUT PRIOR WRITTEN PERMISSION. PDWG:NO: 0366-2		深圳市步步精科技有限公司	
.X: ±0.38 .XX: ±0.25 .XXX: ±0.13		X': ±3' X'': ±2' X''': ±1'	
NAME: TYPE-C 24P 母座 直立式 四脚插 带柱 外壳无弹 H=6.50 LCP橙胶 定制款 编带		PJ. NO.: 126-225-240001-N5G	
APPD. JM_Zheng	CHKD. LYX	SIZE: A4 DRW NO.:	
FINISH: SEE NOTES		MAT'L.: SEE NOTES	
SCALE: N/A		REV.: A0	UNIT: mm PAGE: 2/2