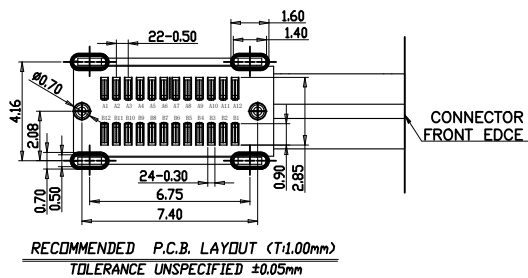
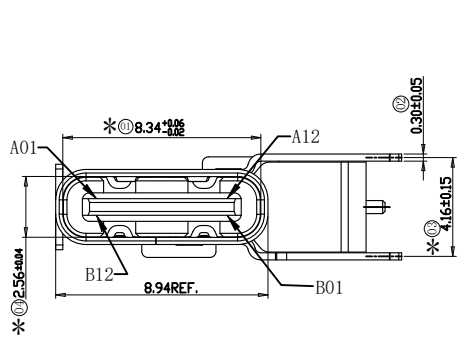
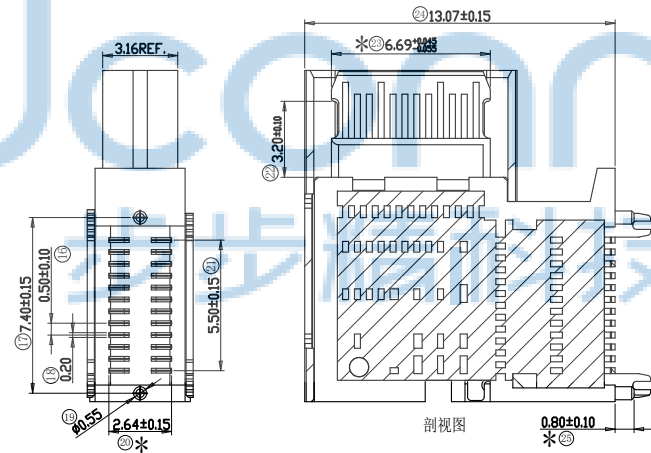
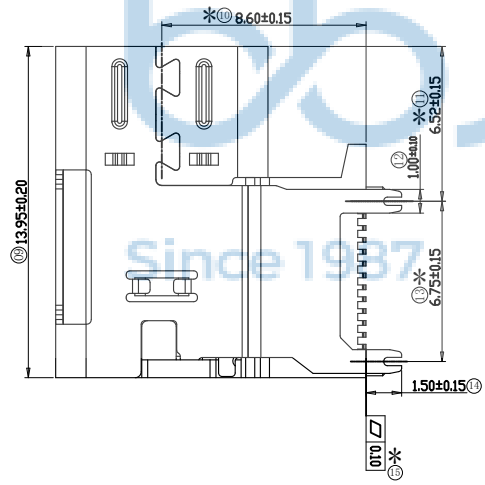
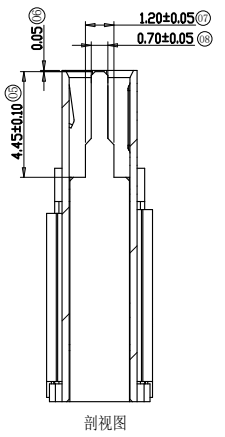




REV.	ECN NO	CONTENT	DATE	ENGINEER
A0		Initial release	/	GZY

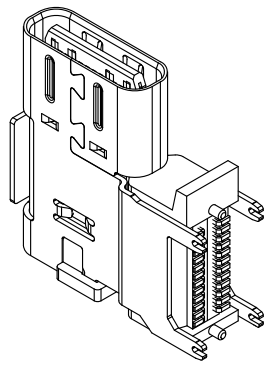
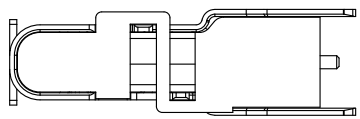


- 特性:
- 一、电气性能: ELECTRICAL
    1. 额定电流: 5.0A
    2. 接触阻抗: 40 MILLIOHMS MAX
    3. 耐电压: 150V AC / 1 mA MAX
    4. 绝缘阻抗: 150V DC/100 MEGA OHMS MIN
  - 二、机械性能:
    1. 插入力: 5~20N
    2. 拨出力: 8~20N
    3. 使用寿命: 10000次、拨出力 6N~20N
  - 三、材料: MATERIAL
    1. 塑胶: LCP/PA9T UL94V-0
    2. 端子: C7025/C18400 T=0.20MM
    3. 外壳: SUS304 T=0.30MM
    4. 卡勾: SUS304 T=0.30MM
  - 四、电镀: FINISH
    1. 端子: 接触点镀金3U~MIN  
PIN脚焊接区域镀金1U~MIN.
    2. 外壳: 电镀50U~MIN (盐雾48H)
  - 五、电镀品需做粘锡测试: 粘锡面积达到95%以上。
  - 六、SMT回流焊 (峰值260°C±5°C) 不能起泡、熔胶、变色不良 (变形在公差范围以内)
  - 七、工作温度: -40°C~+85°C



USB TYPE-C PIN ASSIGNMENTS

PIN NUMBER	SIGNAL NAME	PIN NUMBER	SIGNAL NAME
A1	GND	B12	GND
A2	SSTXp1	B11	SSRXp1
A3	SSTXn1	B10	SSRXn1
A4	Vbus	B9	Vbus
A5	CC1	B8	SBU2
A6	D+	B7	D-
A7	D-	B6	D+
A8	SBU1	B5	CC2
A9	Vbus	B4	Vbus
A10	SSRXn2	B3	SSRXn2
A11	SSRXp2	B2	SSTXp2
A12	GND	B1	GND



THIS DOCUMENT IS THE SOLE PROPERTY OF BBJconn Technology Co.,Ltd. Corporation AND SHOULD NOT BE USED IN WHOLE OR IN PART WITHOUT PRIOR WRITTEN PERMISSION. PDWG:NO: 0366-2

**深圳市步步精科技有限公司**

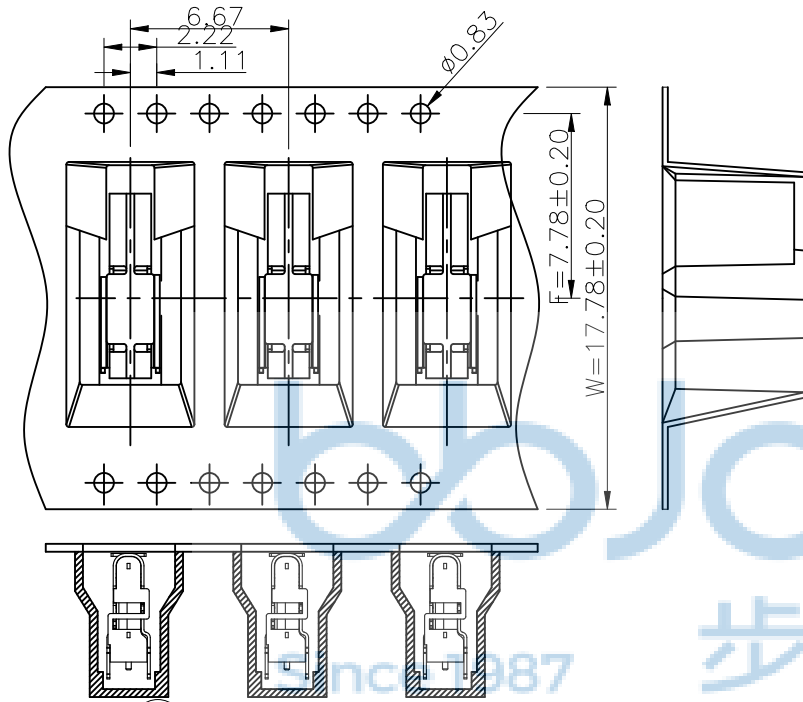
NAME: TYPE-C 24P 母座 侧插 四脚插 鱼叉脚 端子SMT  
L=13.95 CH=8.6 带柱 外壳脚长1.50 端子SMT 编带

APPD.	JM_Zheng	P.J. NO.: 126-227-240002-N5G
CHKD.	LYX	
DR.	GZY	FINISH: SEE NOTES MAT'L.: SEE NOTES
		SCALE: N/A REV.: A0 UNIT: mm PAGE: 1/2

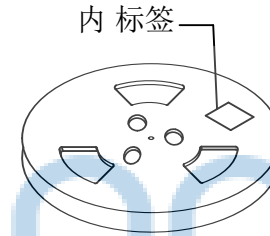
REV.	ECN NO	CONTENT	DATE	ENGINEER
A0		Initial release	/	GZY

包装说明:

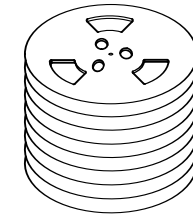
1. 将检验好的成品;插板脚朝下放入载带底部;每卷装500PCS产品;具体如图一所示
2. 将包装好的产品;每盘必需贴上内标签;具体如图二所示
3. 将贴好内标签的产品每8盘叠;具体如图三图四所示 (4000PCS每箱)
5. 装好后并封好纸箱及贴好相关标签;具体如图五所示;  
(产品包装的标签,如客户有要求,请按客户要求包装出货)
6. 载带前面留12PCS空格,后面留12PCS空格
7. COVER与CARRY剥离力:50-125g,速度:300mm/分钟左右,剥离角度:165°-180°



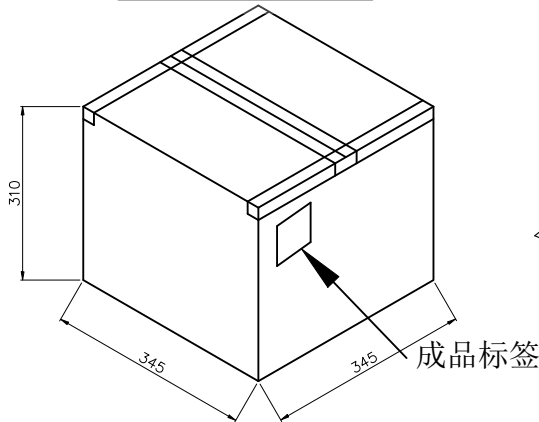
① 产品入载带示意图



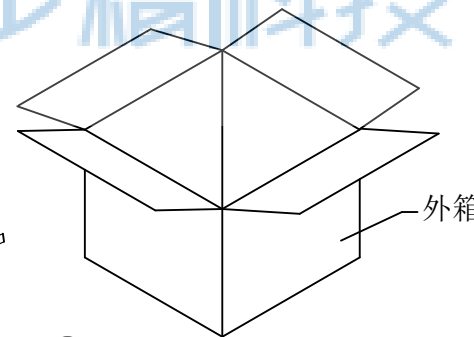
② 卷盘贴标签示意图



③ 8盘产品叠层示意图



⑤ 外箱封箱示意图



④ 产品入外箱示意图



THIS DOCUMENT IS THE SOLE PROPERTY OF BBJconn Technology Co., Ltd. Corporation AND SHOULD NOT BE USED IN WHOLE OR IN PART WITHOUT PRIOR WRITTEN PERMISSION. PDWG.NO: 0366-2		<b>深圳市步步精科技有限公司</b>	
.X: $\pm 0.38$	X': $\pm 3'$	NAME: TYPE-C 24P 母座 侧插 四脚插 鱼叉脚 端子SMT	
.XX: $\pm 0.25$	.X': $\pm 2'$	L=13.95 CH=8.6 带柱 外壳脚长1.50 端子SMT 编带	
.XXX: $\pm 0.13$	.XX': $\pm 1'$	APPD. JM_Zheng	PJ. NO.: 126-227-240002-N5G
CHKD. LYX	DR. GZY	SIZE: A4   DRW NO.:	
FINISH: SEE NOTES		MAT'L.: SEE NOTES	
SCALE: N/A	REV.: A0	UNIT: mm	PAGE: 2/2