

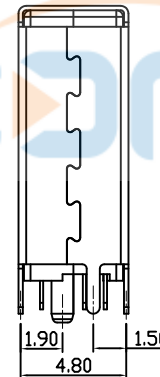
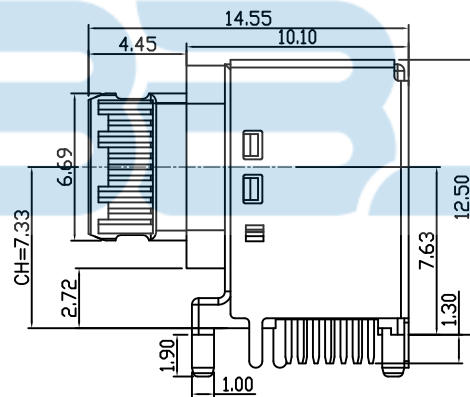
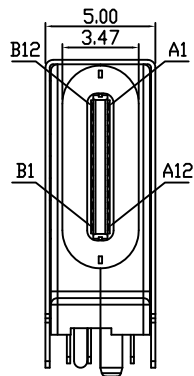
RECOMMEND P.C.B LAYOUT (THICKNESS=1.0mm)  
(COMPONENT SIDE) TOLERANCE±0.02



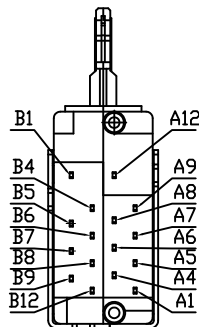
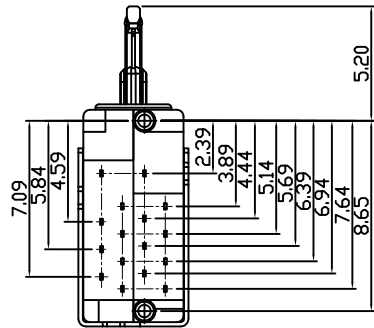
REV.	DESCRIPTION	NAME	DATE
A	NEWS ISSUE		

备注:

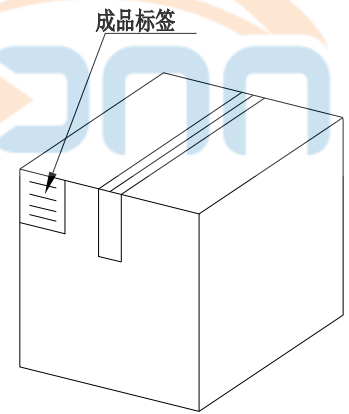
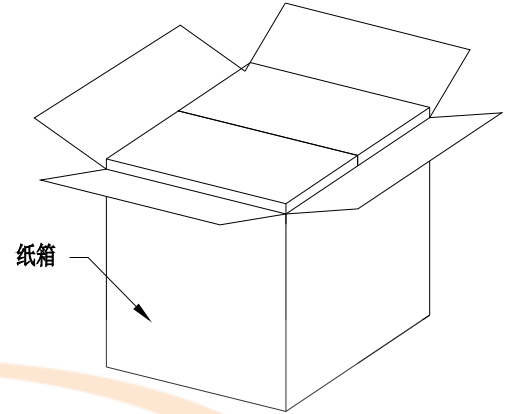
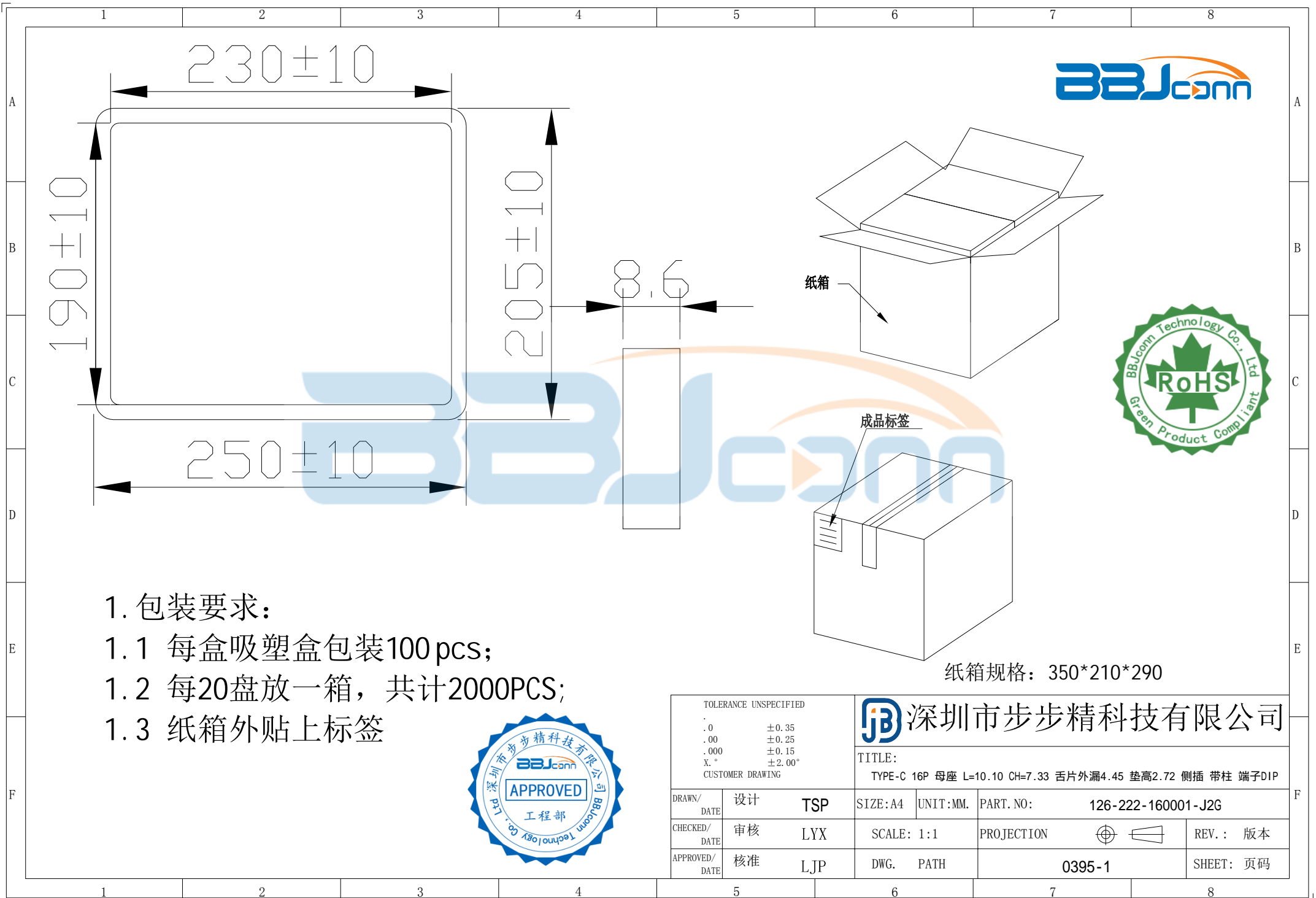
1. 材质:
- 1.1 胶芯: LCP+30%G. F UL94V-0
- 1.2 端子: COPPER ALLOY (C7025)
- 1.3 外壳: SUS304, T=0.20mm; 表面镀镍100 μ"
- 1.4 护板: 不锈钢S301, T=0.15mm;
2. 主要特性:
- 2.1 额定电流: 5A MIN FOR VBUS, 0.25A MIN FOR OTHER.
- 2.2 接触阻抗: 40mΩ MAX
- 2.3 绝缘阻抗: 100MΩ MIN 250V DC
- 2.4 耐压测试: 250V AC
- 2.5 沾锡性: 温度250±5℃, 时间5±0.5s
- 2.6 整体插入力: 2.00kgf MAX  
整体拔出力: 0.80kgf MIN
- 2.7 使用寿命: 10000次
- 2.8 工作温度: -55℃~+85℃



PIN	Signal Name	Description	PIN	Signal Name	Description
A1	GND	Ground return	B12	GND	Ground return
A2	SSTXp1	Positive half of first SuperSpeed TX differential pair	B11	SSRXp1	Positive half of first SuperSpeed RX differential pair
A3	SSTXn1	Negative half of first SuperSpeed TX differential pair	B10	SSRXn1	Negative half of first SuperSpeed RX differential pair
A4	Vbus	Bus Power	B9	Vbus	Bus Power
A5	CC1	Configuration Channel	B8	SBU2	Sideband Use (SBU)
A6	Dp1	Positive half of the USB 2.0 differential pair-Position 1	B7	Dn2	Negative half of the USB 2.0 differential pair-Position 2
A7	Dn1	Negative half of the USB 2.0 differential pair-Position 1	B6	Dp2	Positive half of the USB 2.0 differential pair-Position 2
A8	SBU1	Sideband Use (SBU)	B5	CC2	Configuration Channel
A9	Vbus	Bus Power	B4	Vbus	Bus Power
A10	SSRXn2	Negative half of second SuperSpeed RX differential pair	B3	SSTXn2	Negative half of second SuperSpeed TX differential pair
A11	SSRXp2	Positive half of second SuperSpeed RX differential pair	B2	SSTXp2	Positive half of second SuperSpeed TX differential pair
A12	GND	Ground return	B1	GND	Ground return



TOLERANCE UNSPECIFIED		深圳市步步精科技有限公司 <b>APPROVED</b> 工程部			
.0	±0.35	深圳市步步精科技有限公司 <b>TITLE:</b> TYPE-C 16P 母座 L=10.10 CH=7.33 舌片外漏4.45 垫高2.72 侧插 带柱 端子DIP			
.00	±0.25				
.000	±0.15				
X.°	±2.00°				
CUSTOMER DRAWING		SIZE:A4	UNIT:MM.	PART.NO:	126-222-160001-J2G
DRAWN/ DATE	设计 TSP	SCALE: 1:1	PROJECTION	REV.: 版本	
CHECKED/ DATE	审核 LYX	DWG. PATH	0395-1	SHEET: 页码	
APPROVED/ DATE	核准 LJP				



纸箱规格：350\*210\*290

1. 包装要求:

- 1.1 每盒吸塑盒包装100 pcs;
- 1.2 每20盘放一箱，共计2000PCS;
- 1.3 纸箱外贴上标签



TOLERANCE UNSPECIFIED		深圳市步步精科技有限公司 TITLE: TYPE-C 16P 母座 L=10.10 CH=7.33 舌片外漏4.45 垫高2.72 侧插 带柱 端子DIP						
.0	±0.35	DRAWN/	设计	TSP	SIZE:A4	UNIT:MM.	PART. NO:	126-222-160001-J2G
.00	±0.25	DATE						
.000	±0.15	CHECKED/	审核	LYX	SCALE: 1:1	PROJECTION		REV.: 版本
X.°	±2.00°	DATE						
CUSTOMER DRAWING		APPROVED/	核准	LJP	DWG. PATH		0395-1	SHEET: 页码
		DATE						