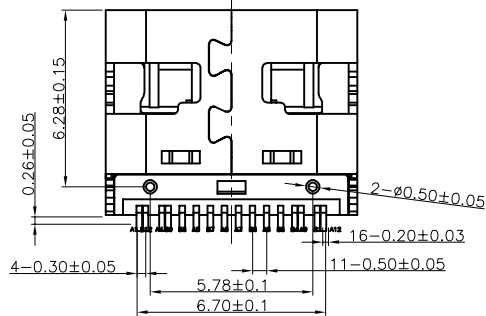


CONNECTOR FRONT EDGE  
RECOMMENDED P.C.B. LAYOUT  
TOLERANCE UNSPECIFIED ±0.05mm



A1	GND	B12	GND
A4	VBUS	B9	VBUS
A5	CC1	B8	SBU2
A6	DP1	B7	DN2
A7	DN1	B6	DP2
A8	SBU1	B5	CC2
A9	VBUS	B4	VBUS
A12	GND	B1	GND
PIN	SIGNAL NAME	PIN	SIGNAL NAME

TOLERANCE  
(UNLESS SPECIFIED)  
.0 ± 0.30 | 0° ± 10°  
.00 ± 0.20 | 0° ± 8°  
.000 ± 0.10 | .00° ± 5°

深圳市步步精科技有限公司

TITLE:  
TYPE-C 16P 母座板上型 四脚插 垫高1.0 L=7.35 CH=2.70

DESIGNER	设计	GY	SIZE: A4	UNIT: MM	PART. NO:	126-222-160002-J2G
CHECKED/DATE		LYX	SCALE: 1:1	PROJECTION		REV.: 版本
APPROVED/DATE		LJP	DWG. PATH		0395-1	SHEET: 页码

NOTES:

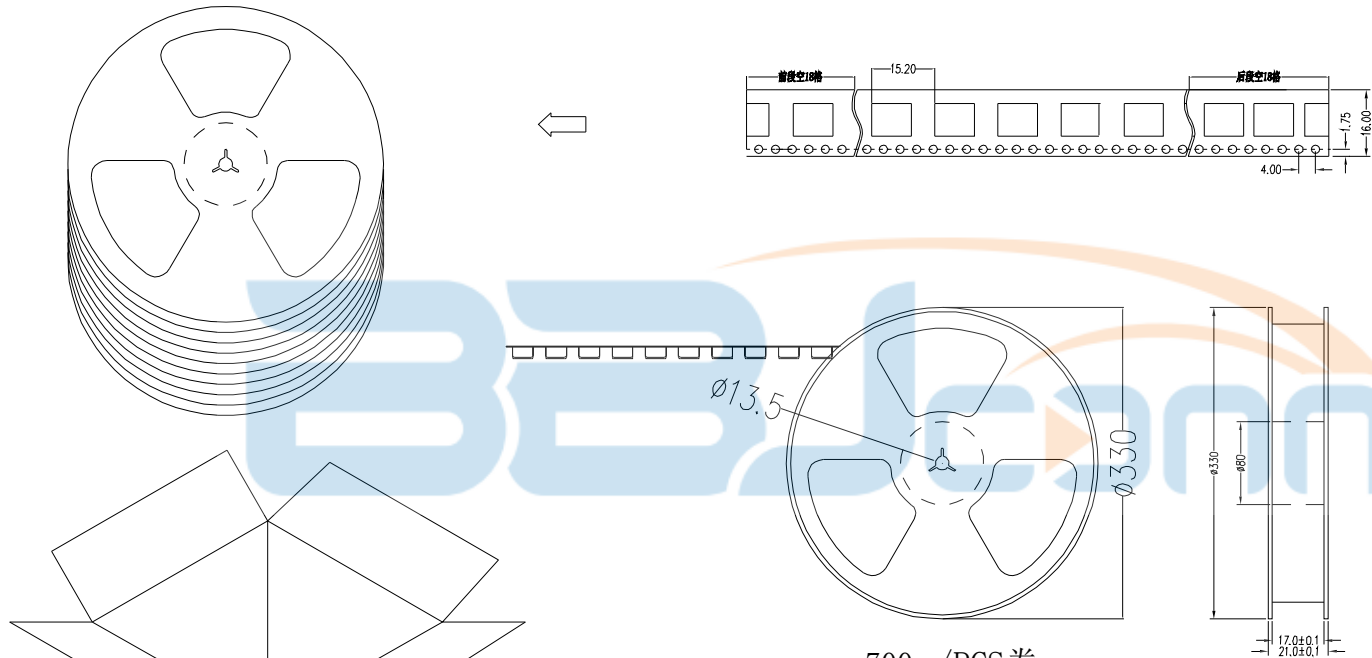
SPECIFICATION:

1. CURRENT RATING: 5A MAX
2. VOLTAGE: 100 VAC
3. TEMPERATURE RANGE: -30 °C ~ 85 °C
4. CONTACT RESISTANCE: 40 MILLIONHM MAX
5. INSULATION RESISTANCE: 100 MEGOHMS MIN.
6. INSERTION FORCE : 5N~20N
7. UNMATING FORCE: 8N~20N
8. DURABILITY: 10,000 CYCLES

NO.	DESCRIPTION	MATERIAL	REMARKS	QTY
6	SHELL	STAINLESS STEEL	NI/SN Plated	1PCS
5	SHIELDING PLATE	STAINLESS STEEL	---	1PCS
4	MD	HIGH TEMPERATURE PLASTIC	BLACK	1PCS
3	CONTACT	COPPER ALLOY	Au/Ni Plated	1SET
2	CONTACT	COPPER ALLOY	Au/Ni Plated	1SET
1	HOUSING	HIGH TEMPERATURE PLASTIC	BLACK	1PCS



REV.	DESCRIPTION	NAME	DATE
A	NEWS ISSUE		



备注:

1. 包装数量: 700 /PCS/卷, 10卷/箱或15卷/箱。
2. 包装袋长度: 每卷前后各空10-20个空格, 中间包装。
3. 材质:  
 载体: 聚丙烯 (PS), 阻抗 $10^{6-9} \Omega$   
 上带: 聚乙烯 (PET), 阻抗 $10^{6-11} \Omega$   
 卷盘: 聚苯乙烯。

纸箱规格: 345\*345\*23MM  
 纸箱规格: 345\*345\*35MM

TOLERANCE UNSPECIFIED		深圳市步步精科技有限公司			
.0	±0.35	TITLE: TYPE-C 16P 母座板上型 四脚插 垫高1.0 L=7.35 CH=2.70			
.00	±0.25				
.000	±0.15				
X.°	±2.00°				
CUSTOMER DRAWING					
DRAWN/ DATE	设计 GY	SIZE:A4	UNIT:MM.	PART. NO:	126-222-160002-J2G
CHECKED/ DATE	审核 LYX	SCALE: 1:1	PROJECTION	REV.: 版本	
APPROVED/ DATE	核准 LJP	DWG. PATH	0395-1		SHEET: 页码