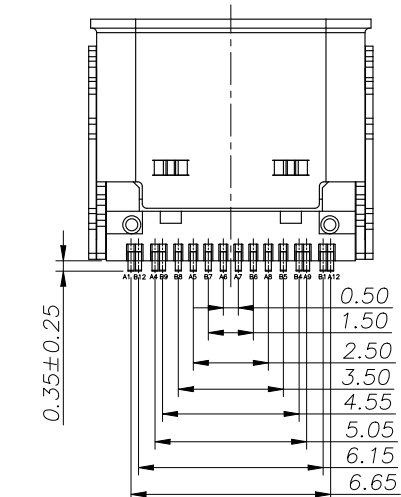
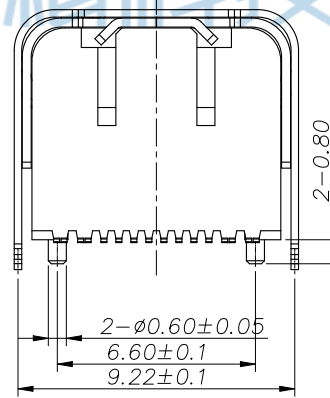
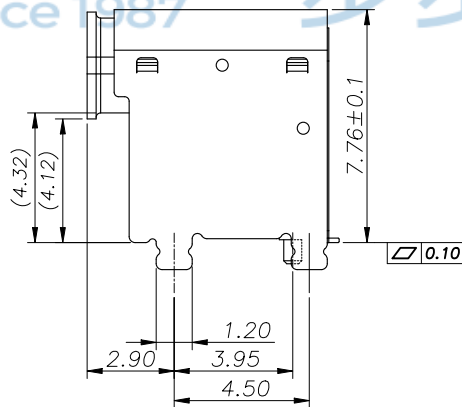
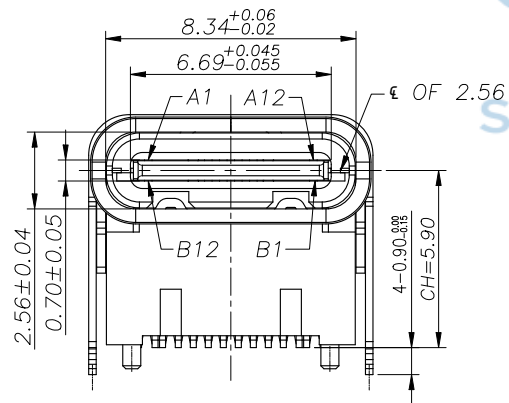
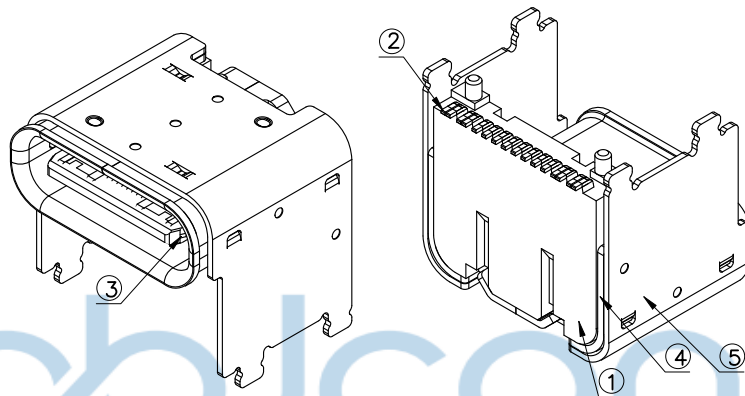
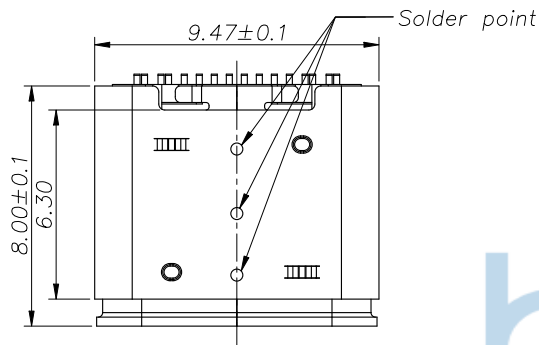



REV.	ECN NO	CONTENT	DATE	ENGINEER
A0				



NOTE:

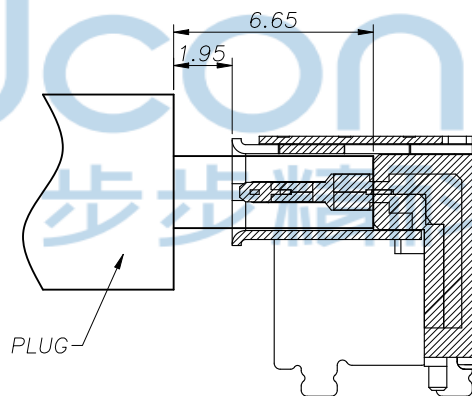
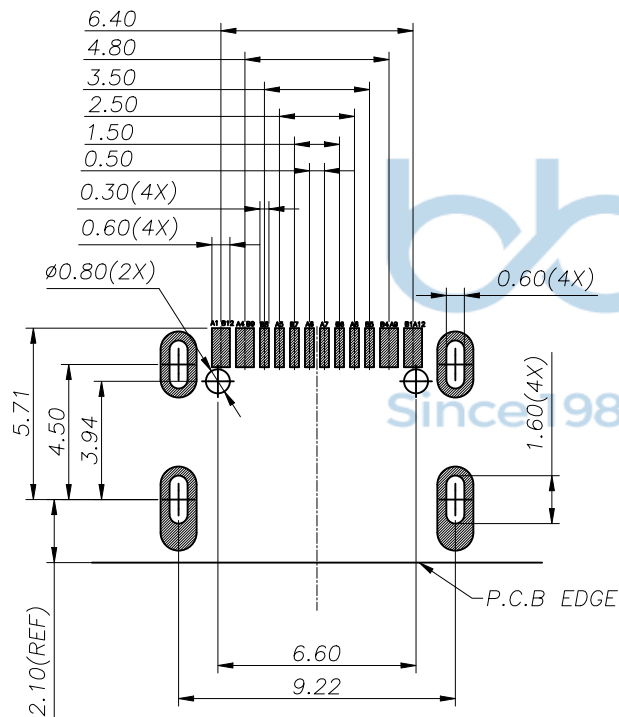
- MATERIAL SPECIFICATION:
  - HOUSING: LCP
  - CONTACTS: C2680, T=0.15mm
  - MID PLATE: SUS301, T=0.15mm
  - INSIDE SHELL: SUS304, T=0.30mm
  - OUTSIDE SHELL: SUS304, T=0.25mm
- PLATING SPECIFICATION:
  - CONTACTS:
    - Ni 50u" MIN. UNDER PLATED OVER ALL.
    - Au3u" PLATED ON THE FUNCTIONAL AREA OF CONTACT.
    - GOLD FLASH PLATING ON SOLDER AREA
  - OUTSIDE SHELL:
    - Ni 30u" MIN. UNDER PLATED OVER ALL.
- MECHANICAL PERFORMANCE,
  - INSERTION FORCE: 0.5~2.0kgf.
  - REMOVAL FORCE: 0.8kgf~2.0kgf.
  - DURABILITY: 10000 CYCLES.
- ELECTRICAL PERFORMANCE,
  - CURRENT RATING: 5A  
VOLTAGE RATING: 20V
  - INSULATION RESISTANCE: 100MΩ MIN
  - DIELECTRIC WITHSTAND VOLTAGE, AC 100V FOR 1 MINUTE.
  - LOW CONTACT RESISTANCE: INITIAL 40MΩ  
AFTER 50MΩ
- ENVIRONMENTAL PERFORMANCE:
  - OPERATING TEMPERATURE: -30°C~+80°C.
  - IR REFLOW: THE PEAK TEMPERATURE ON THE BOARD SHALL BE MAINTAINED FOR 10 SECONDS AT 260°C.



THIS DOCUMENT IS THE SOLE PROPERTY OF BBJconn Technology Co., Ltd. CORPORATION AND SHOULD NOT BE USED IN WHOLE OR IN PART WITHOUT PRIOR WRITTEN PERMISSION.		 <b>深圳市步步精科技有限公司</b>	
PDWG. NO: 0100-2	APPD. JM_Zheng	NAME: TYPE-C 16PIN 母座 板上四脚插 带柱 外壳两个焊点 L=8.0 CH=5.90 垫高4.3 端子镀金3u SMT LCP蓝胶	PJ. NO.: 126-221-160011-V2G
	CHKD. TSP	FINISH: SEE NOTES	MAT'L.: SEE NOTES
	DR. LYX	SCALE: N/A	REV.: A0 UNIT: mm PAGE: 1/3

USB TYPE-C PIN ASSIGNMENTS

PIN NUMBER	SIGNAL NAME	PIN NUMBER	SIGNAL NAME
A1	GND	B12	GND
A4	VBUS	B9	VBUS
A5	CC1	B8	SBU2
A6	Dp1	B7	Dn2
A7	Dn1	B6	Dp2
A8	SBU1	B5	CC2
A9	VBUS	B4	VBUS
A12	GND	B1	GND



AFTER MATING  
SCALE 1:1

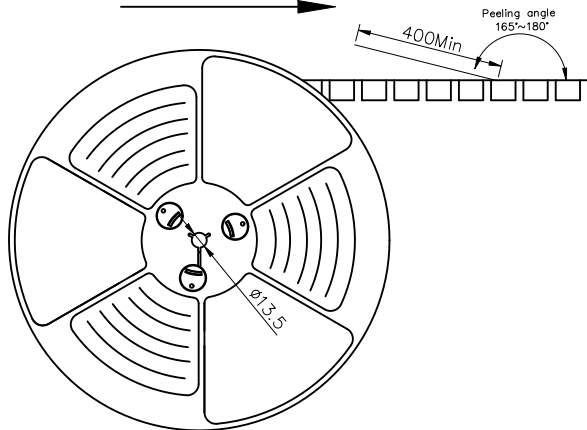
RECOMMEND P.C.B LAYOUT(COMPONENT SIDE)  
TOLERANCE FOR PCB LAYOUT IS ± 0.05



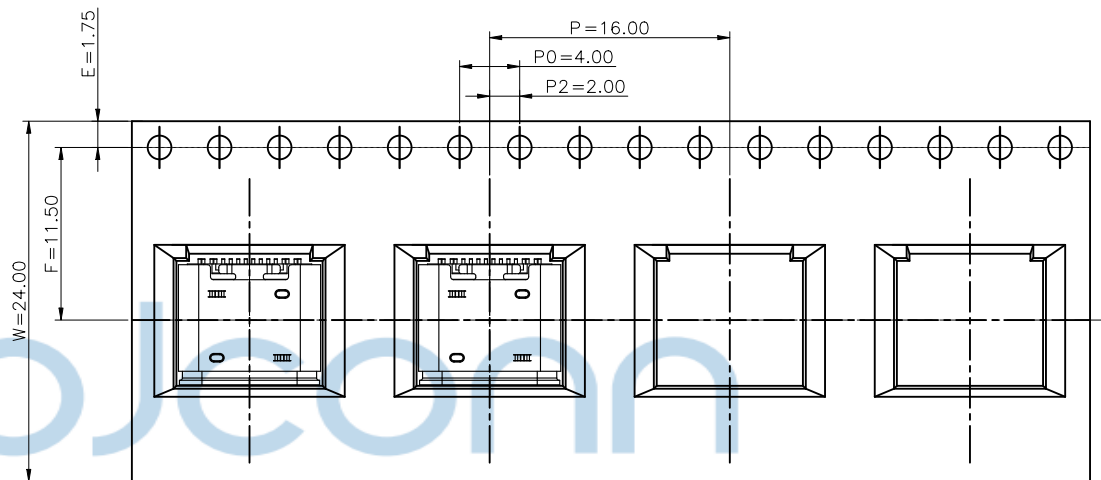
THIS DOCUMENT IS THE SOLE PROPERTY OF BBJconn Technology Co.,Ltd. Corporation AND SHOULD NOT BE USED IN WHOLE OR IN PART WITHOUT PRIOR WRITTEN PERMISSION.		深圳市步步精科技有限公司 .X: ±0.38    .X': ±3" .XX: ±0.25    .X': ±2" .XXX: ±0.13    .XX': ±1"		NAME: TYPE-C 16PIN 母座 板上四脚插 带柱 外壳两个焊点 L=8.0 CH=5.90 垫高4.3 端子镀金3u SMT LCP蓝胶 PJ. NO.: 126-221-160011-V2G SIZE: A4   DRW NO.: FINISH: SEE NOTES   MAT'L.: SEE NOTES SCALE: N/A   REV.: A0   UNIT: mm   PAGE: 2/3	
APPD.	JM_Zheng	CHKD.	TSP	DR.	LYX
PDWG.NO:	0100-2				

出料方向

PULL OUT DIRECTEON



W+0.5



NOTES

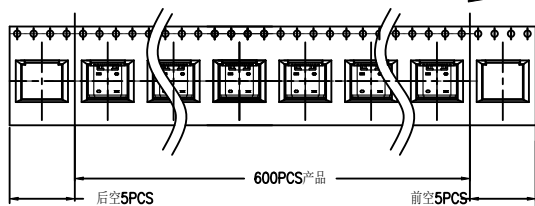
1. 帶子引導長度  
LEAD TAPE LENGTH

出料方向

PULL OUT DIRECTEON

出料方向

PULL OUT DIRECTEON



2. 上帶剝力力為：0.1~1.3N(10.2gf~130gf)

PEELING OFF FORCE OF TOP TAPE:0.1~1.3N(10.2gf~130gf)

出貨運輸過程中一定注意：

THIS REQUIREMENT SHOULD BE APPLIED AT SHIPMENT：

卷帶在運輸過程中不能散開

PEELING OFF SHOULD NOT BE ALLOWED DURING TRANSPORTATION

TAPE & REEL 6 PCS

1 REEL  
= 600 PCS

BOX

DIMENSIONS:  
39.5X39.5X20

1 CARTON  
=6 REELS  
=3600 PCS



THIS DOCUMENT IS THE  
SOLE PROPERTY OF  
BBJconn Technology Co.,Ltd.  
CORPORATION AND SHOULD  
NOT BE USED IN WHOLE  
OR IN PART WITHOUT  
PRIOR WRITTEN PERMISSION.  
PDWG.NO: 0100-2

**深圳市步步精科技有限公司**

.X: ±0.38 X': ±3"  
.XX: ±0.25 .X": ±2"  
.XXX: ±0.13 .XX': ±1"

NAME: TYPE-C 16PIN 母座 板上四脚插 带柱 外壳两个焊点  
L=8.0 CH=5.90 垫高4.3 端子镀金3u SMT LCP蓝胶

APPD. JM\_Zheng  
CHKD. TSP  
DR. LYX

PJ. NO.:126-221-160011-V2G  
SIZE: A4 DRW NO.:  
FINISH: SEE NOTES MAT'L.: SEE NOTES  
SCALE: N/A REV.: AO UNIT: mm PAGE: 3/3

包装明细表 (The detail of the packing) Carton						
产品料号 (Product No.)	包装容量 (Packing Capacity)			重量 Weight (Kg)		
	pcs/box	boxes/Carton	Pcs/Box	N. W. /Pcs	N. W. /Box	G. W. /Box
	600	6	3600	---	---	---