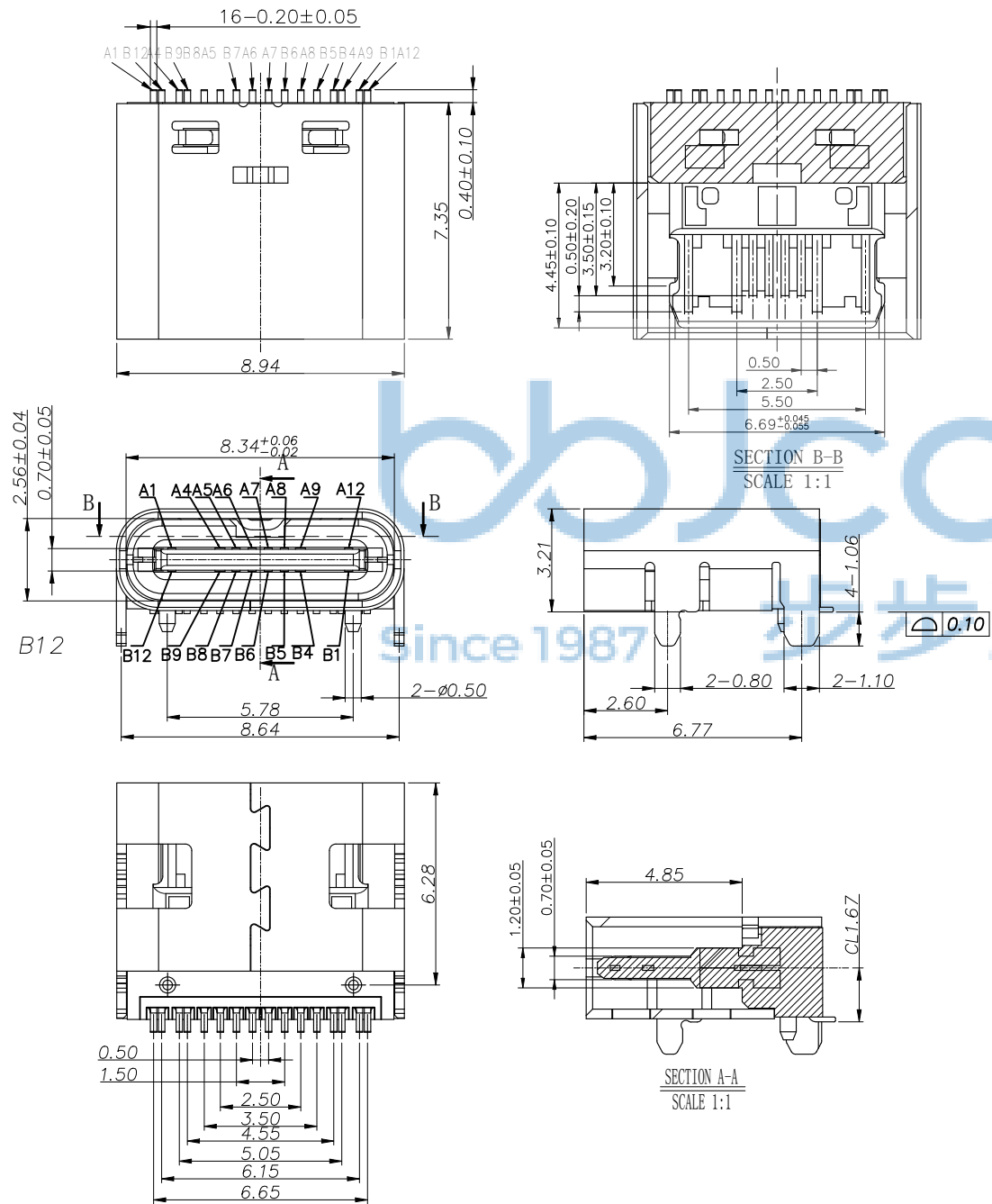


| REV. | ECN NO. | CONTENT | DATE | ENGINEER |
|------|---------|---------|---------------|----------|
| AO | | | 2023 20/04 | |

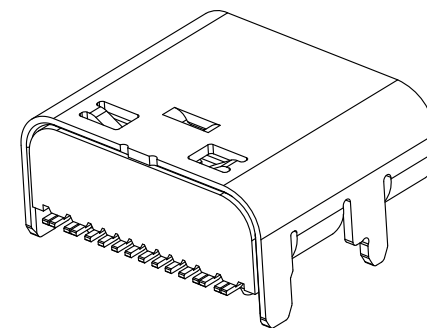
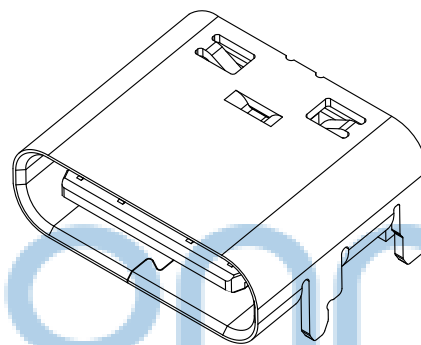
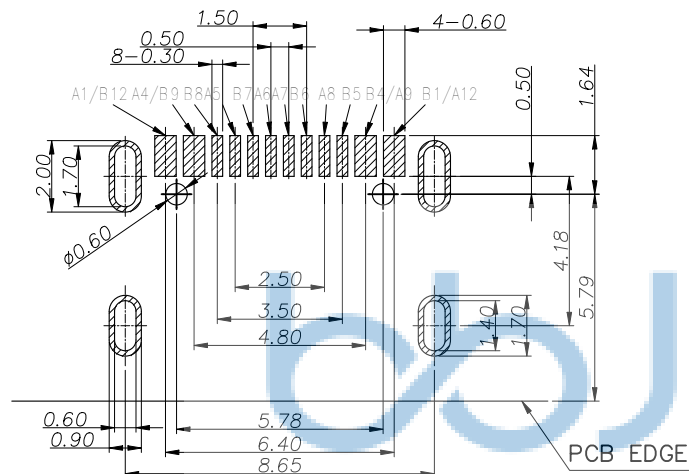


NOTE:

- 1.MATERIAL SPECIFICATION:**
 - 1.HOUSING:HIGH TEMPERATURE RESISTANT PLASTIC,UL94 V-0.
 - 2.CONTACTS: COPPER ALLOY
 - 3.MID PLATE: STAINLESS STEEL
- 2.PLATING SPECIFICATION:**
 - 2-1.CONTACTS:
 - Ni 50u" MIN. UNDER PLATED OVER ALL.
 - Au 15u" PLATED ON THE FUNCTIONAL AREA OF CONTACT.
 - GOLD FLASH PLATING ON SOLDER AREA
 - 2-2.FRONT SHELL:
 - Ni 30u" MIN. UNDER PLATED OVER ALL.
- 3.MECHANICAL PERFORMANCE,**
 - 3-1.INSERTION FORCE: 0.5~2.0kgf.
 - 3-2.REMOVAL FORCE: 0.8kgf~2.0kgf.
 - 3-3.DURABILITY: 10000 CYCLES.
- 4.ELECTRICAL PERFORMANCE,**
 - 4-1. CURRENT RATING: 5A
VOLTAGE RATING: 20V
 - 4-2.INSULATION RESISTANCE: 100MΩ MIN
 - 4-3.DIELECTRIC WITHSTAND VOLTAGE,AC 100V FOR 1 MINUTE.
- 5. ENVIRONMENTAL PERFORMANCE:**
 - OPERATING TEMPERATURE: -30°C~+80°C.
- 6.IR REFLOW:**
 - THE PEAK TEMPERATURE ON THE BOARD SHALL BE MAINTAINED FOR 10 SECONDS AT 260°C.



| | | | |
|---|-------------------|----------------------------|--|
| THIS DOCUMENT IS THE SOLE PROPERTY OF BBJconn Technology Co.,Ltd. Corporation AND SHOULD NOT BE USED IN WHOLE OR IN PART WITHOUT PRIOR WRITTEN PERMISSION. PDWG:NO: | | 深圳市步步精科技有限公司 工程部 | |
| APPD. | JM_Zheng 23/05'02 | NAME: | TYPE-C 16PIN 母座 L=7.35 CH=1.67 板上一体式 铜合金端子SMT (5A) 端子镀金15u |
| CHKD. | TSP 23/05'02 | PJ. NO.: | UC.01.51-11-0043 |
| DR. | LYX 23/05'02 | SIZE: A4 | DRW NO.: |
| | | FINISH: SEE NOTES | MAT'L.: SEE NOTES |
| | | SCALE: N/A | REV.: AO UNIT: mm PAGE: 1/3 |



RECOMMEND P.C.B LAYOUT (COMPONENT SIDE)
TOLERANCE FOR PCB LAYOUT IS ± 0.05

步步精科技



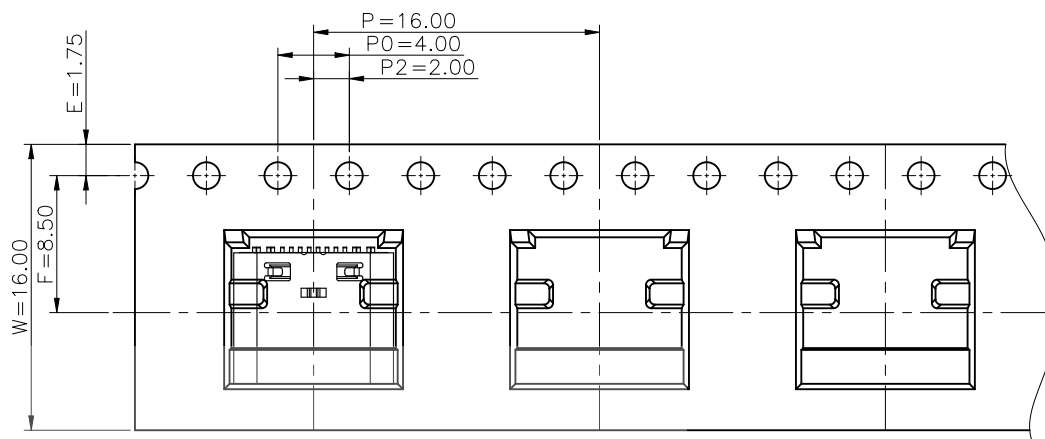
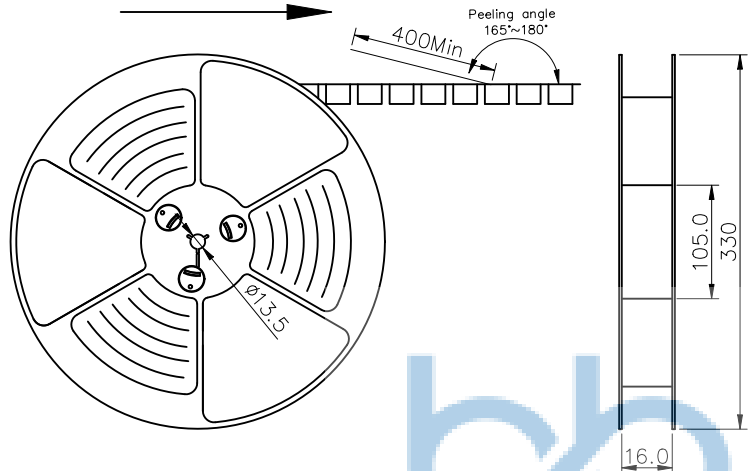
USB TYPE-C PIN ASSIGNMENTS

| PIN NUMBER | SIGNAL NAME | PIN NUMBER | SIGNAL NAME |
|------------|-------------|------------|-------------|
| A1 | GND | B12 | GND |
| A4 | VBUS | B9 | VBUS |
| A5 | CC1 | B8 | SBU2 |
| A6 | Dp1 | B7 | Dn2 |
| A7 | Dn1 | B6 | Dp2 |
| A8 | SBU1 | B5 | CC2 |
| A9 | VBUS | B4 | VBUS |
| A12 | GND | B1 | GND |



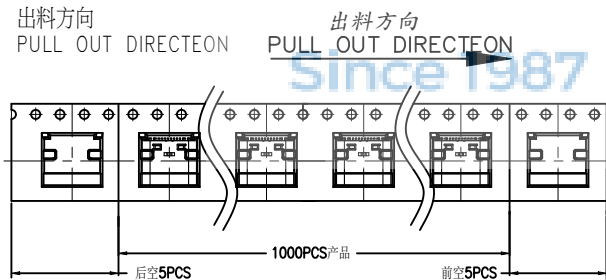
| | | | |
|---|-------------------|---|---|
| THIS DOCUMENT IS THE SOLE PROPERTY OF BBJconn Technology Co., Ltd. Corporation AND SHOULD NOT BE USED IN WHOLE OR IN PART WITHOUT PRIOR WRITTEN PERMISSION. | | 深圳市步步精科技有限公司 .X: ± 0.38 X: $\pm 3^*$.XX: ± 0.25 .X: $\pm 2^*$.XXX: ± 0.13 .XX: $\pm 1^*$ | |
| APPD. | JM_Zheng 23/05'02 | P.J. NO.: UC.01.51-11-0043 SIZE: A4 DRW NO.: | NAME: TYPE-C 16PIN 母座 L=7.35 CH=1.67 板上一体式 铜合金端子SMT (5A) 端子镀金15u |
| CHKD. | TSP 23/05'02 | | FINISH: SEE NOTES MAT'L.: SEE NOTFS |
| PDWG.NO: | DR. LYX 23/05'02 | SCALE: N/A | REV.: AO UNIT: mm PAGE: 2/3 |

出料方向
PULL OUT DIRECTEON



NOTES

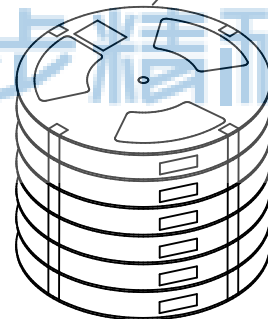
1.帶子引導長度
LEAD TAPE LENGTH
出料方向
PULL OUT DIRECTEON



2.上帶剝力力為: 0.1~1.3N(10.2gf~130gf)
PEELING OFF FORCE OF TOP TAPE: 0.1~1.3N(10.2gf~130gf)
出貨運輸過程中一定注意:
THIS REQUIREMENT SHOULD BE APPLIED AT SHIPMENT:
卷帶在運輸過程中不能散開
PEELING OFF SHOULD NOT BE ALLOWED DURING TRANSPORTATION

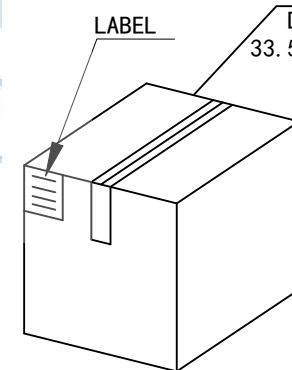
TAPE & REEL 10 PCS

1 REEL
= 1000 PCS



BOX

DIMENSIONS:
33.5X33.5X30.5



1 CARTON
=14 REELS
=14000 PCS



| | | | | | |
|--|-------------------|--|--|--|--|
| THIS DOCUMENT IS THE SOLE PROPERTY OF BBJconn Technology Co.,Ltd. Corporation AND SHOULD NOT BE USED IN WHOLE OR IN PART WITHOUT PRIOR WRITTEN PERMISSION. PDWG.NO: 0100-2 | | 深圳市步步精科技有限公司 .X: ±0.38 X: ±3* .XX: ±0.25 .X: ±2* .XXX: ±0.13 .XX: ±1* | | NAME: TYPE-C 16PIN 母座 L=7.35 CH=1.67 板上一体式 铜合金端子SMT (5A) 端子镀金15u PJ. NO.: UC.01.51-11-0043 SIZE: A4 DRW NO.: FINISH: SEE NOTES MAT'L.: SEE NOTES SCALE: N/A REV.: AO UNIT: mm PAGE: 3/3 | |
| APPD. | JM_Zheng 23/05'02 | | | P.J. NO.: UC.01.51-11-0043 SIZE: A4 DRW NO.: | |
| CHKD. | TSP 23/05'02 | FINISH: SEE NOTES MAT'L.: SEE NOTES | | SCALE: N/A REV.: AO UNIT: mm PAGE: 3/3 | |
| DR. | LYX 23/05'02 | SCALE: N/A REV.: AO UNIT: mm PAGE: 3/3 | | SCALE: N/A REV.: AO UNIT: mm PAGE: 3/3 | |

| 包装明细表 (The detail of the packing) Carton | | | | | |
|--|--------------|---------|----------------|------------|------------|
| 包装容量 (Packing Capacity) | | | 重量 Weight (Kg) | | |
| pcs/box | boxes/Carton | Pcs/Box | N. W. /Pcs | N. W. /Box | G. W. /Box |
| 1000 | 14 | 14000 | --- | --- | --- |