

REV	ECN NO	CONTENT	DATE	ENGINEER
A0		INITIAL RELEASE	/	LYX

NOTE:

1.MATERIAL SPECIFICATION:

1.1.HOUSING:HIGH TEMPERATURE RESISTANT PLASTIC,UL94 V-0.

1.2.CONTACTS:COPPER ALLOY

2.PLATING SPECIFICATION:

2-1.CONTACTS:

Ni 50u" MIN. UNDER PLATED OVER ALL.
GOLD FLASH PLATING ON CONTACT AREA,
Au3u" PLATING ON SOLDER AREA

2-2.FRONT SHELL:

Ni 30u" MIN. UNDER PLATED OVER ALL.

3.MECHANICAL PERFORMANCE,

3-1.INSERTION FORCE: 0.5~2.0kgf.

3-2.REMOVAL FORCE: 0.8kgf~2.0kgf.

3-3.DURABILITY: 3000 CYCLES.

4.ELECTRICAL PERFORMANCE,

4-1. CURRENT RATING:5.0A

VOLTAGE RATING: 20V

4-2.INSULATION RESISTANCE: 100MΩ MIN

4-3.DIELECTRIC WITHSTAND VOLTAGE,AC 100V FOR 1 MINUTE.

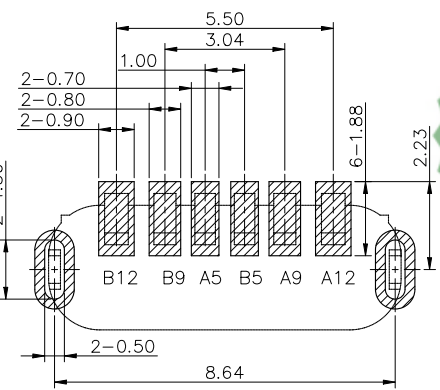
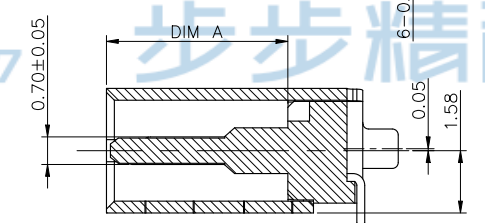
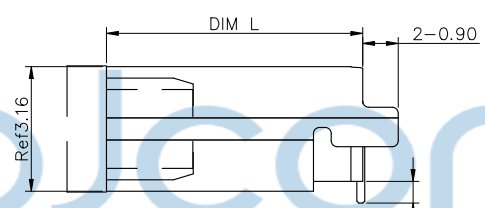
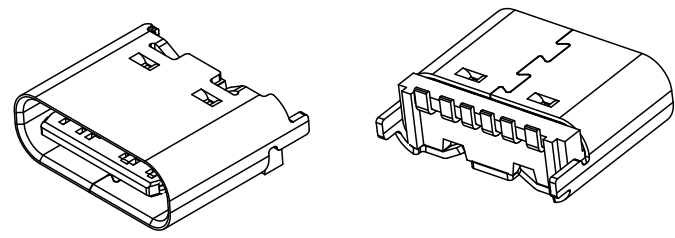
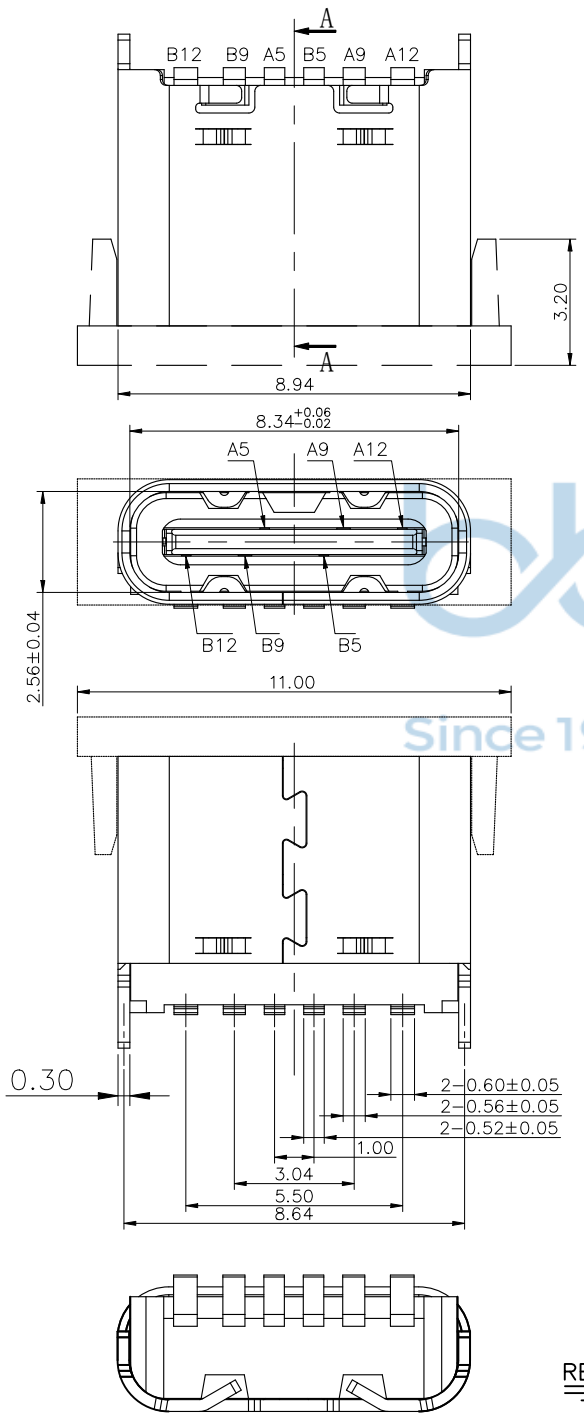
4-4.LOW CONTACT RESISTANCE: INITIAL 40mΩ /AFTER 50mΩ

5. ENVIRONMENTAL PERFORMANCE:

OPERATING TEMPERATURE: -30°C~+80°C.

6.IR REFLOW:

THE PEAK TEMPERATURE ON THE BOARD SHALL
BE MAINTAINED FOR 10 SECONDS AT 260°C.



RECOMMEND P.C.B LAYOUT(COMPONENT SIDE)
TOLERANCE FOR PCB LAYOUT IS ± 0.05

Code	DIM L	DIM A
0	6.80	4.90
1	6.50	4.60

USB TYPE-C PIN ASSIGNMENTS

PIN NUMBER	SIGNAL NAME
A5	CC1
A9	VBUS
A12	GND
B12	GND
B9	VBUS
B5	CC2



THIS DOCUMENT IS THE SOLE PROPERTY OF BBJconn Technology Co.,Ltd. Corporation AND SHOULD NOT BE USED IN WHOLE PRIOR WRITTEN PERMISSION.

PDWG NO:0100-2

DR LYX

APPD JM_Zheng

CHKD Tang

深圳市步步精科技有限公司

NAME: TYPE-C 6P 母座 直立式 H=6.5 端子SMT 带中夹片 端子镀金3u

PJ NO: UC.01.63-11-0009

SIZE:A4

DRW NO:

FINISH:SEE NOTES

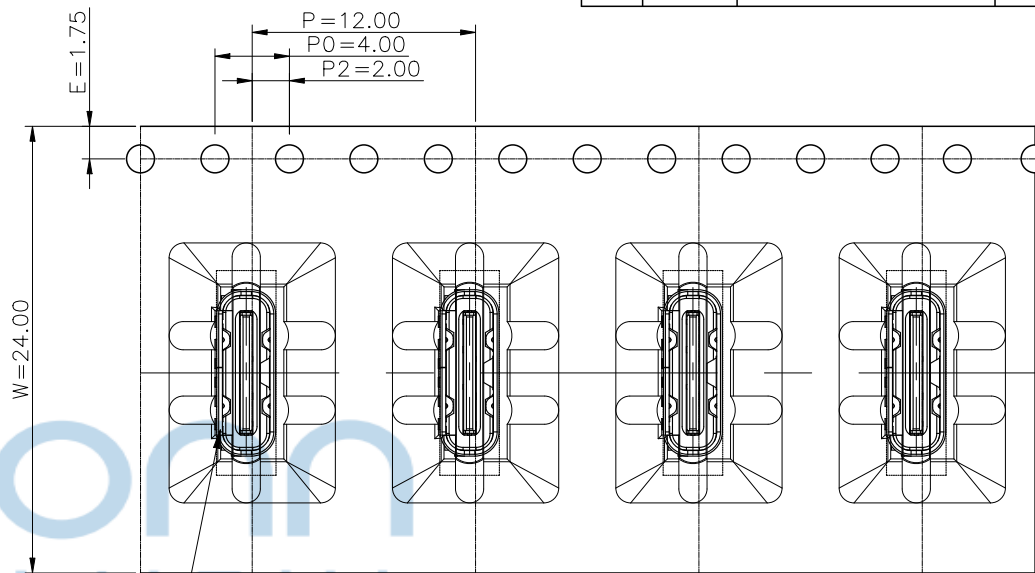
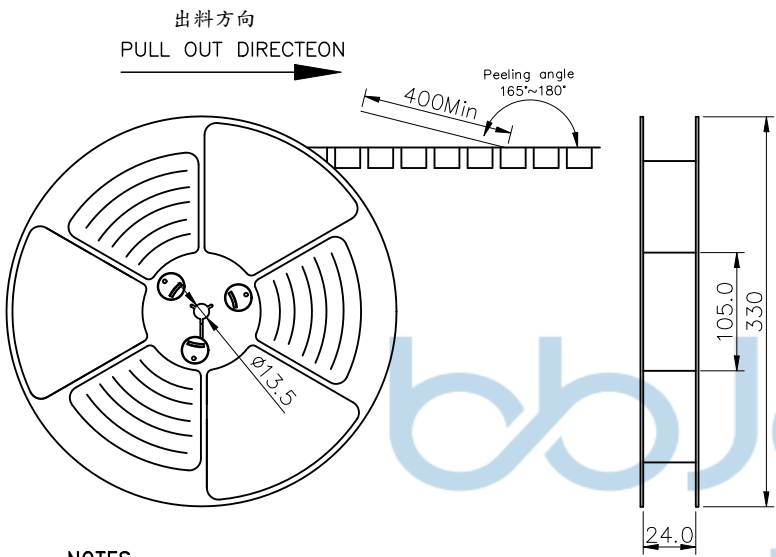
MAT'L:SEE NOTES

SCALE:N/A

REV:A0

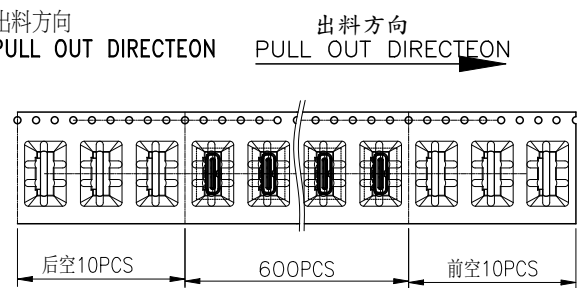
UNIT:mm

PAGE:1/2



NOTES

1. 帶子引導長度
LEAD TAPE LENGTH
出料方向
PULL OUT DIRECTEON



2. 上帶 剝力力為 : 0.1~1.3N(10.2gf~130gf)
PEELING OFF FORCE OF TOP TAPE: 0.1~1.3N(10.2gf~130gf)
出貨運輸過程中一定注意:
THIS REQUIREMENT SHOULD BE APPLIED AT SHIPMENT:
卷帶在運輸過程中不能散開
PEELING OFF SHOULD NOT BE ALLOWED DURING TRANSPORTATION

焊脚插左

TAPE & REEL 10 PCS

1 REEL
= 600 PCS

BOX

DIMENSIONS:
33.5X33.5X30.5

1 CARTON
= 10 REELS
= 6000 PCS



包裝明細表 (The detail of the packing)

產品料號 (Product No.)	包裝容量 (Packing Capacity)			重量 Weight (Kg)		
	pcs/box	boxes/Carton	Pcs/Box	N. W. /Pcs	N. W. /Box	G. W. /Box
UC. 01. 63-11-0009	600	10	6000	---	---	---

THIS DOCUMENT IS THE SOLE PROPERTY OF BBJconn Technology Co.,Ltd. Corporation AND SHOULD NOT BE USED IN WHOLE OR IN PART WITHOUT PRIOR WRITTEN PERMISSION.		PDWG.NO: 0100-2		深圳市步步精科技有限公司 工程部 APPROVED	
APPD.	JM_Zheng	NAME: TYPE-C 6P 母座 直立式 H=6.5 端子SMT 帶中夾片 端子鍍金3u		PJ. NO.: UC. 01.63-11-0009	
CHKD.	Tang	FINISH: SEE NOTES		SIZE: A4 DRW NO.:	
DR.	LYX	MAT'L.: SEE NOTES		SCALE: N/A REV.: A0 UNIT: mm PAGE: 2/2	