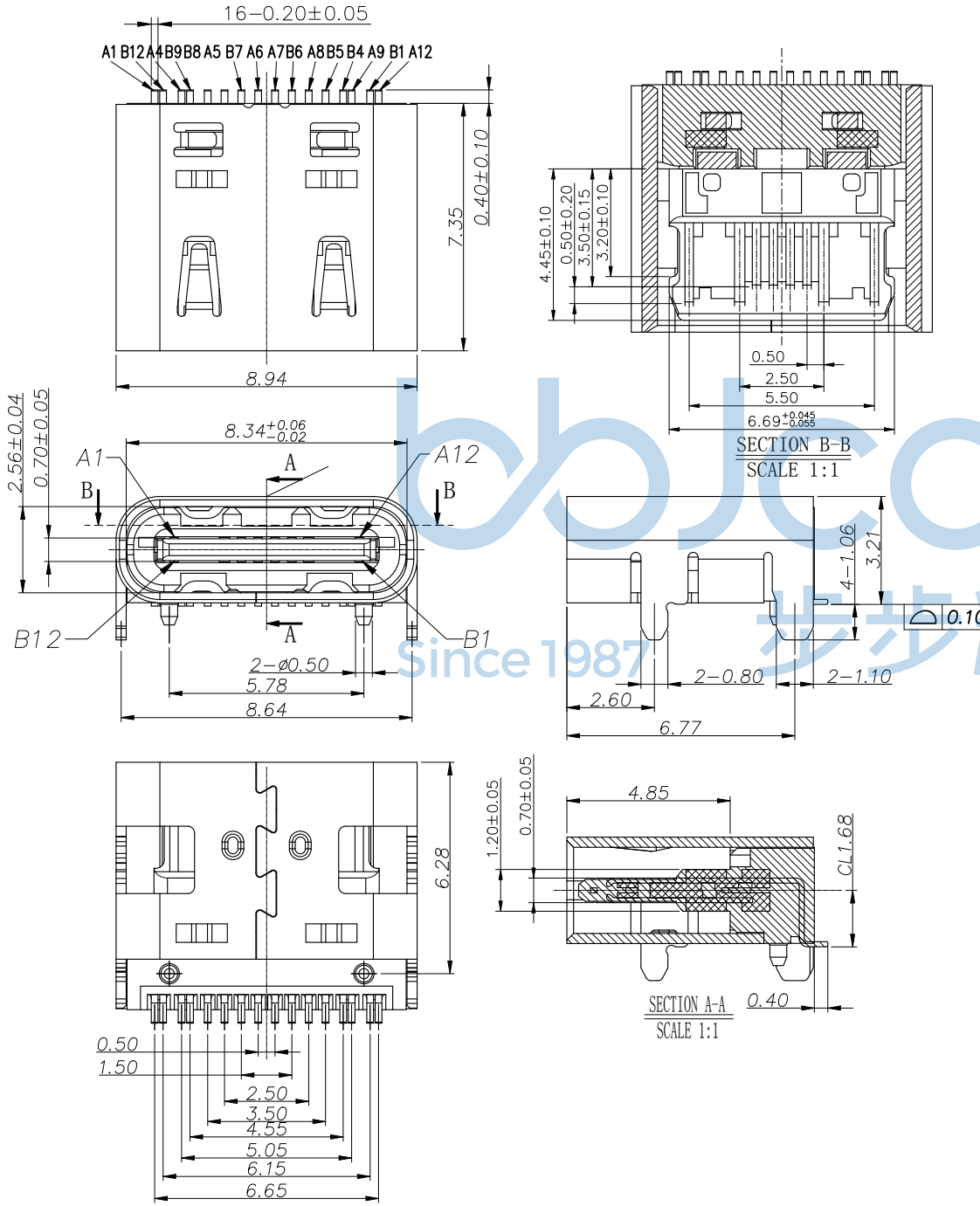


REV.	ECN NO.	CONTENT	DATE	ENGINEER
A0		Initial release	/	TSP



**NOTE:**

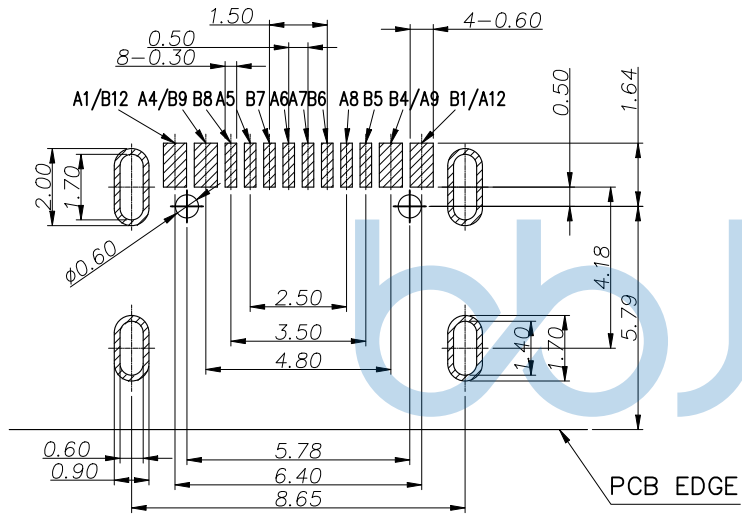
- MATERIAL SPECIFICATION:**
  - HOUSING: HIGH TEMPERATURE RESISTANT PLASTIC, UL94 V-0.
  - CONTACTS: COPPER ALLOY
  - MID PLATE: STAINLESS STEEL
- PLATING SPECIFICATION:**
  - CONTACTS:**
    - Ni 50u" MIN. UNDER PLATED OVER ALL.
    - Au PLATED ON THE FUNCTIONAL AREA OF CONTACT.
    - GOLD FLASH PLATING ON CONTACT AREA,
    - GOLD FLASH PLATING ON SOLDER AREA
  - FRONT SHELL:**
    - Ni 30u" MIN. UNDER PLATED OVER ALL.
- MECHANICAL PERFORMANCE,**
  - INSERTION FORCE: 0.5~2.0kgf.
  - REMOVAL FORCE: 0.8kgf~2.0kgf.
  - DURABILITY: 10000 CYCLES.
- ELECTRICAL PERFORMANCE,**
  - CURRENT RATING: 5A  
VOLTAGE RATING: 20V
  - INSULATION RESISTANCE: 100MΩ MIN
  - DIELECTRIC WITHSTAND VOLTAGE, AC 100V FOR 1 MINUTE.
  - LOW CONTACT RESISTANCE: INITIAL 40MΩ  
AFTER 50MΩ
- ENVIRONMENTAL PERFORMANCE:**

OPERATING TEMPERATURE: -30°C~+80°C.
- IR REFLOW:**

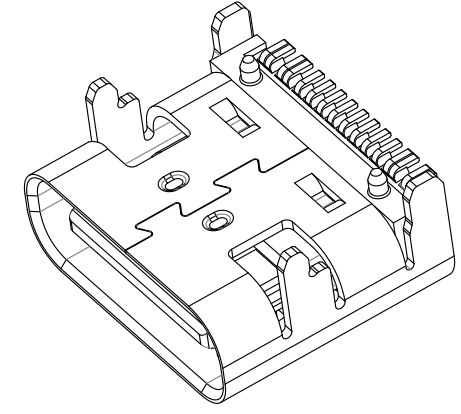
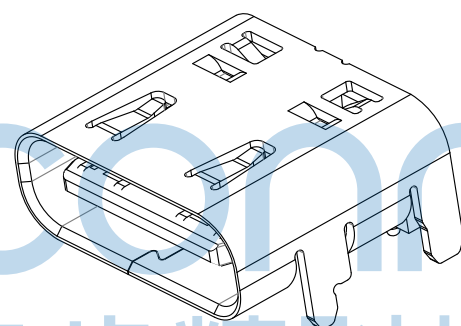
THE PEAK TEMPERATURE ON THE BOARD SHALL BE MAINTAINED FOR 10 SECONDS AT 260°C.



THIS DOCUMENT IS THE SOLE PROPERTY OF BBJconn Technology Co., Ltd. Corporation AND SHOULD NOT BE USED IN WHOLE OR IN PART WITHOUT PRIOR WRITTEN PERMISSION.		<b>深圳市步步精科技有限公司</b> 工程部		NAME: TYPE-C 16P 母座 板上一体式 带柱 端子SMT 外壳带弹 L=7.35 CH=1.68 5A LCP蓝胶	
PDWG.NO: 0100-2	DR. TSP	APPD. JM_Zheng	CHKD. LYX	P.J. NO.: 126-221-160018-V2G SIZE: A4 DRW NO.:	
				FINISH: SEE NOTES	MAT'L.: SEE NOTES
		SCALE: N/A	REV.: A0	UNIT: mm	PAGE: 1/3



RECOMMEND P.C.B LAYOUT (COMPONENT SIDE)  
TOLERANCE FOR PCB LAYOUT IS  $\pm 0.05$



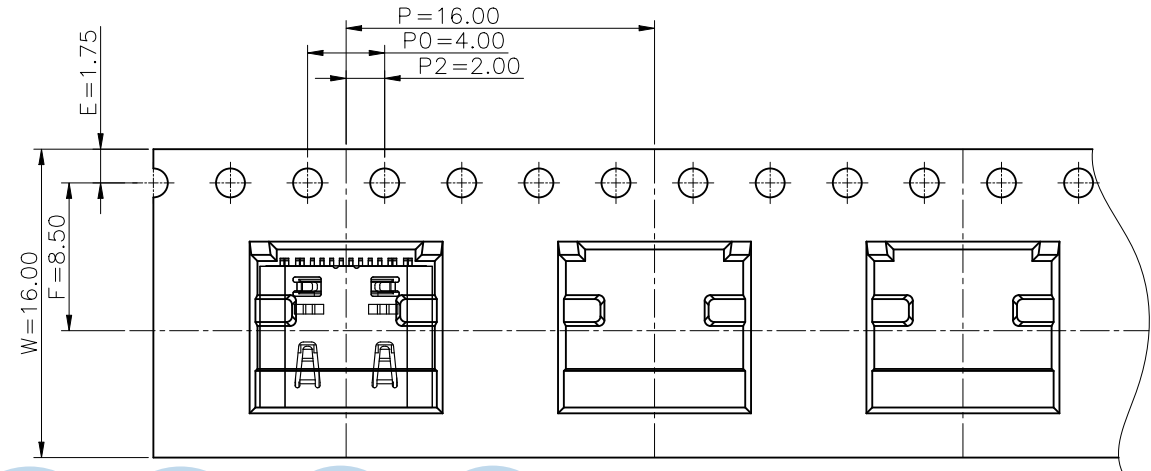
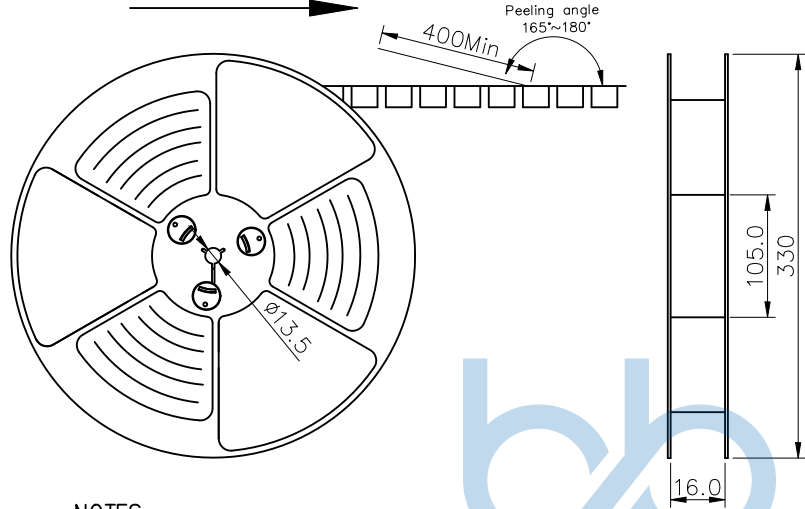
USB TYPE-C PIN ASSIGNMENTS

PIN NUMBER	SIGNAL NAME	PIN NUMBER	SIGNAL NAME
A1	GND	B12	GND
A4	VBUS	B9	VBUS
A5	CC1	B8	SBU2
A6	Dp1	B7	Dn2
A7	Dn1	B6	Dp2
A8	SBU1	B5	CC2
A9	VBUS	B4	VBUS
A12	GND	B1	GND



THIS DOCUMENT IS THE SOLE PROPERTY OF BBJconn Technology Co., Ltd. Corporation AND SHOULD NOT BE USED IN WHOLE OR IN PART WITHOUT PRIOR WRITTEN PERMISSION.		深圳市步步精科技有限公司 工程部 APPROVED	
PDWG.NO: 0100-2	DR. TSP	APPD. JM_Zheng CHKD. LYX	NAME: TYPE-C 16P 母座 板上一体式 带柱 端子SMT 外壳带弹 L=7.35 CH=1.68 5A LCP蓝胶 P.J. NO.: 126-221-160018-V2G SIZE: A4 DRW NO.: FINISH: SEE NOTES MAT'L.: SEE NOTES SCALE: N/A REV.: A0 UNIT: mm PAGE: 2/3

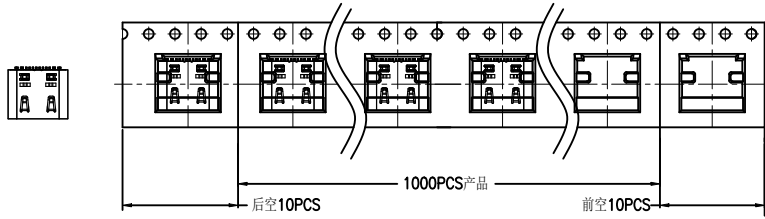
出料方向  
PULL OUT DIRECTEON



NOTES

1. 帶子引導長度  
LEAD TAPE LENGTH  
出料方向  
PULL OUT DIRECTEON

出料方向  
PULL OUT DIRECTEON



2. 上帶 剝力力為：0.1~1.3N(10.2gf~130gf)  
PEELING OFF FORCE OF TOP TAPE:0.1~1.3N(10.2gf~130gf)  
出貨'運輸過程中一定注意：  
THIS REQUIREMENT SHOULD BE APPLIED AT SHIPMENT：  
卷帶在運輸過程中不能散開  
PEELING OFF SHOULD NOT BE ALLOWED DURING TRANSPORTATION

TAPE & REEL 10 PCS

1 REEL  
= 1000 PCS

BOX

DIMENSIONS:  
33.5X33.5X30.5

1 CARTON  
=14 REELS  
=14000 PCS



包裝明細表 (The detail of the packing)

產品料號 (Product No.)	包裝容量 (Packing Capacity)			重量 Weight (Kg)		
	pcs/box	boxes/Carton	Pcs/Box	N. W. /Pcs	N. W. /Box	G. W. /Box
	1000	14	14000	0.79	11.02	11.62

THIS DOCUMENT IS THE SOLE PROPERTY OF BBJconn Technology Co.,Ltd. Corporation AND SHOULD NOT BE USED IN WHOLE OR IN PART WITHOUT PRIOR WRITTEN PERMISSION.		深圳市步步精科技有限公司 .X: ±0.38 X': ±3" .XX: ±0.25 .X': ±2" .XXX: ±0.13 .XX': ±1"		NAME: TYPE-C 16P 母座 板上一体式 带柱 端子SMT 外壳带弹 L=7.35 CH=1.68 5A LCP蓝胶 APPD. JM_Zheng P.J. NO.: 126-221-160018-V2G CHKD. LYX SIZE: A4 DRW NO.: PDWG.NO: 0100-2 DR. TSP FINISH: SEE NOTES MAT'L.: SEE NOTES SCALE: N/A REV.: A0 UNIT: mm PAGE: 3/3	
--	--	---	--	---	--