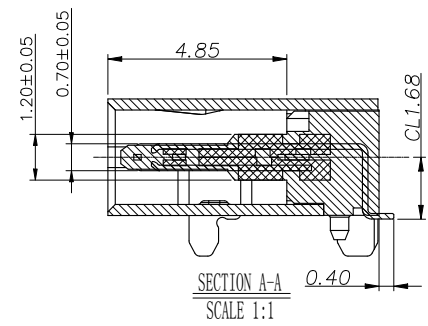
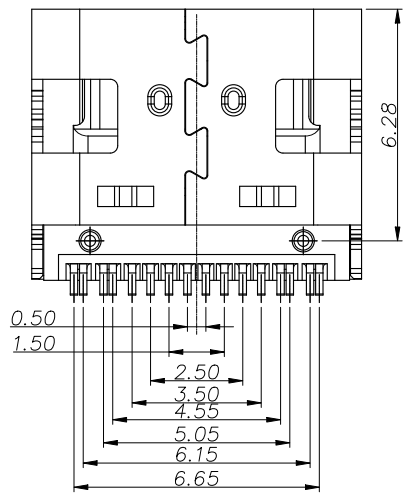
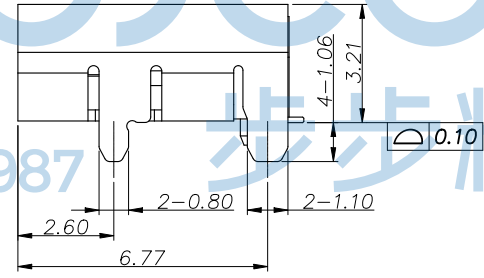
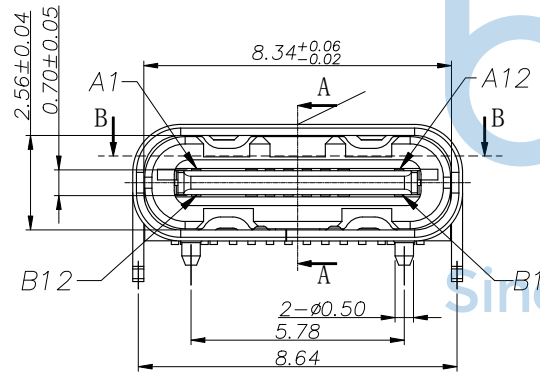
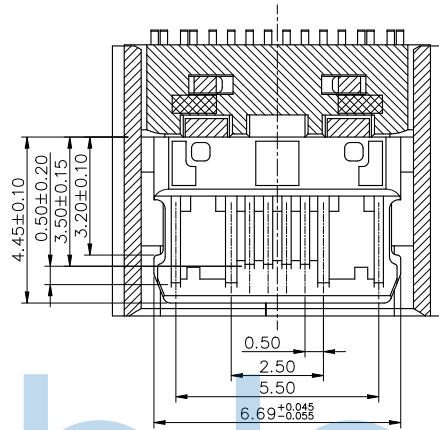
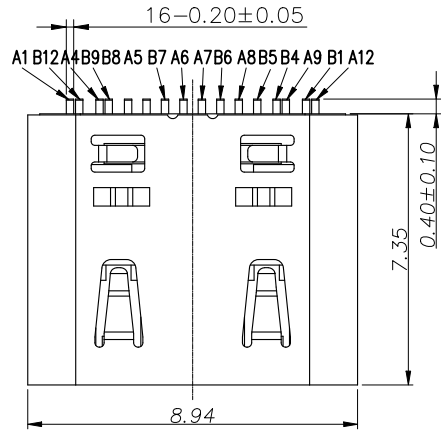


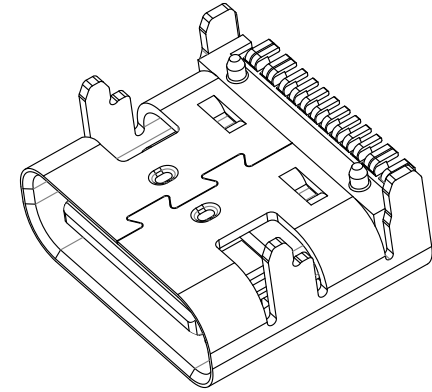
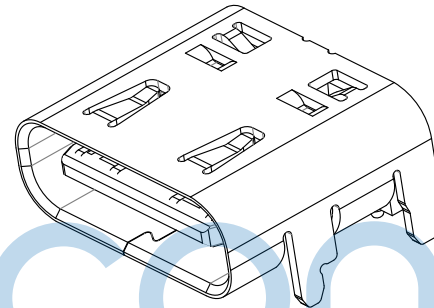
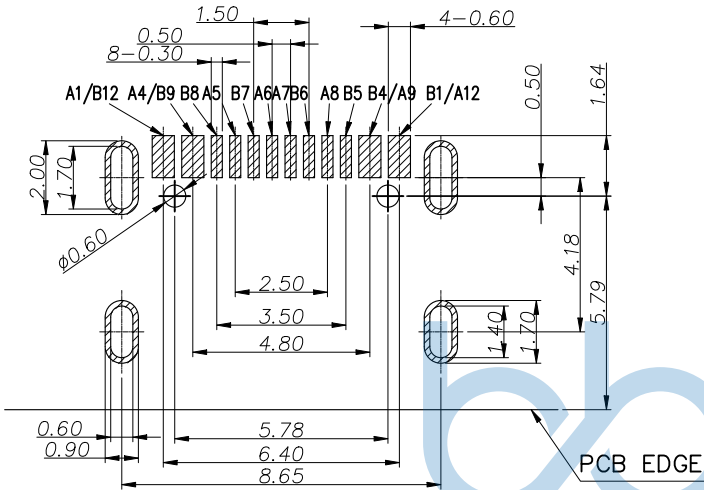
| REV. | ECN NO. | CONTENT | DATE | ENGINEER |
|------|---------|-----------------|------|----------|
| A0 | | Initial release | / | TSP |



- NOTE:
- MATERIAL SPECIFICATION:
 - HOUSING: HIGH TEMPERATURE RESISTANT PLASTIC, UL94 V-0.
 - CONTACTS: COPPER ALLOY
 - MID PLATE: STAINLESS STEEL
 - SHELL: STAINLESS STEEL
 - PLATING SPECIFICATION:
 - CONTACTS:
 - Ni 50u" MIN. UNDER PLATED OVER ALL.
 - Au G/F PLATED ON THE FUNCTIONAL AREA OF CONTACT. (GOLD PLATING THICKNESS FOLLOW)
 - GOLD FLASH PLATING ON SOLDER AREA
 - FRONT SHELL:
 - Ni 30u" MIN. UNDER PLATED OVER ALL.
 - MECHANICAL PERFORMANCE,
 - INSERTION FORCE: 0.5~2.0kgf.
 - REMOVAL FORCE: 0.8kgf~2.0kgf.
 - DURABILITY: 10000 CYCLES.
 - ELECTRICAL PERFORMANCE,
 - CURRENT RATING: 5A
VOLTAGE RATING: 20V
 - INSULATION RESISTANCE: 100MΩ MIN
 - DIELECTRIC WITHSTAND VOLTAGE, AC 100V FOR 1 MINUTE.
 - LOW CONTACT RESISTANCE: INITIAL 40MΩ
AFTER 50MΩ
 - ENVIRONMENTAL PERFORMANCE:
 - OPERATING TEMPERATURE: -30°C~+80°C.
 - IR REFLOW:
 - THE PEAK TEMPERATURE ON THE BOARD SHALL BE MAINTAINED FOR 10 SECONDS AT 260°C.



| | | | |
|---|---------|--|--|
| THIS DOCUMENT IS THE SOLE PROPERTY OF BBJconn Technology Co., Ltd. CORPORATION AND SHOULD NOT BE USED IN WHOLE OR IN PART WITHOUT PRIOR WRITTEN PERMISSION. | | 深圳市步步精科技有限公司 工程部 | |
| PDWG. NO: 0100-2 | DR. TSP | NAME: TYPE-C 16P 母座 板上四脚插 带柱 一体式 外壳带弹带凸凸四脚点 L=7.35 CH=1.68 编带 APPD. JM_Zheng CHKD. LYX | P.J. NO.: 126-222-160002-V2G SIZE: A4 DRW NO.: FINISH: SEE NOTES MAT'L.: SEE NOTES SCALE: N/A REV.: A0 UNIT: mm PAGE: 1/3 |



RECOMMEND P.C.B LAYOUT(COMPONENT SIDE)
TOLERANCE FOR PCB LAYOUT IS ± 0.05

Since 1987

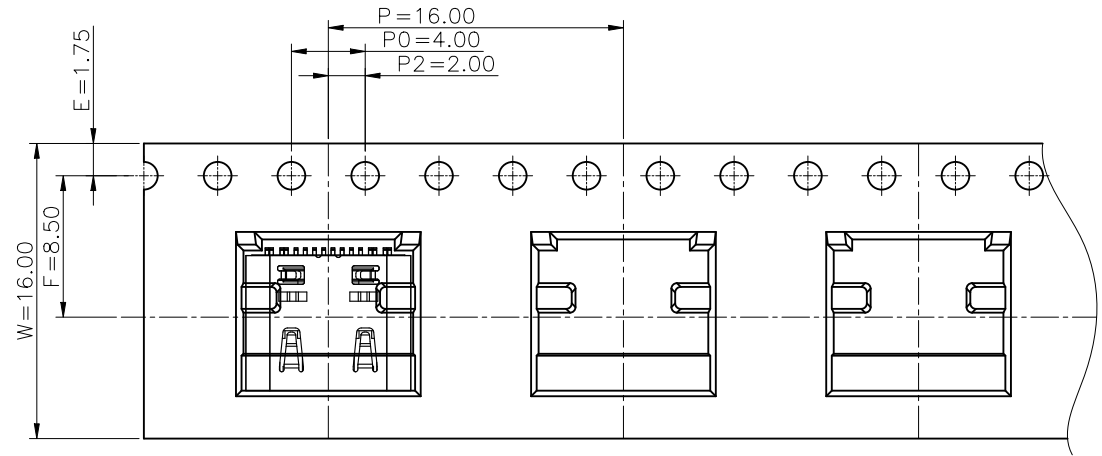
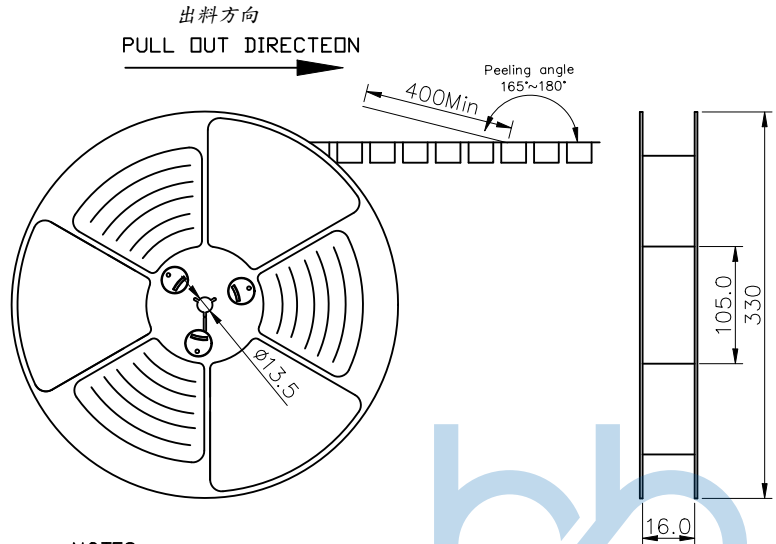
步步精科技

USB TYPE-C PIN ASSIGNMENTS

| PIN NUMBER | SIGNAL NAME | PIN NUMBER | SIGNAL NAME |
|------------|-------------|------------|-------------|
| A1 | GND | B12 | GND |
| A4 | VBUS | B9 | VBUS |
| A5 | CC1 | B8 | SBU2 |
| A6 | Dp1 | B7 | Dn2 |
| A7 | Dn1 | B6 | Dp2 |
| A8 | SBU1 | B5 | CC2 |
| A9 | VBUS | B4 | VBUS |
| A12 | GND | B1 | GND |

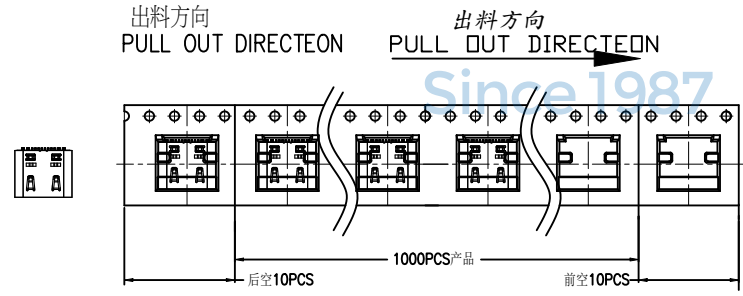


| | | | | | |
|--|----------|---|-----|--|-----------------------------|
| THIS DOCUMENT IS THE SOLE PROPERTY OF BBJconn Technology Co.,Ltd. Corporation AND SHOULD NOT BE USED IN WHOLE OR IN PART WITHOUT PRIOR WRITTEN PERMISSION. | | 深圳市步步精科技有限公司 .X: ± 0.38 X: $\pm 3^*$.XX: ± 0.25 .X: $\pm 2^*$.XXX: ± 0.13 .XX: $\pm 1^*$ | | NAME: TYPE-C 16P 母座 板上四脚插 带柱 一体式 外壳带弹带凸包四铆点 L=7.35 CH=1.68 编带 | |
| APPD. | JM_Zheng | P.J. NO.: 126-222-160002-V2G | | SIZE: A4 DRW NO.: | |
| CHKD. | LYX | FINISH: SEE NOTES | | MAT'L.: SEE NOTES | |
| PDWG.NO: | 0100-2 | DR. | TSP | SCALE: N/A | REV.: A0 UNIT: mm PAGE: 2/3 |



NOTES

1. 帶子引導長度
LEAD TAPE LENGTH
出料方向
PULL OUT DIRECTEON



2. 上帶剝力力為：0.1~1.3N(10.2gf~130gf)
PEELING OFF FORCE OF TOP TAPE: 0.1~1.3N(10.2gf~130gf)
出貨運輸過程中一定注意：
THIS REQUIREMENT SHOULD BE APPLIED AT SHIPMENT：
卷帶在運輸過程中不能散開
PEELING OFF SHOULD NOT BE ALLOWED DURING TRANSPORTATION

TAPE & REEL 10 PCS

1 REEL
= 1000 PCS

BOX

DIMENSIONS:
33.5X33.5X30.5

1 CARTON
=14 REELS
=14000 PCS



| 包裝明細表 (The detail of the packing) | | | | | | |
|-----------------------------------|-------------------------|--------------|---------|----------------|------------|------------|
| 產品料號 (Product No.) | 包裝容量 (Packing Capacity) | | | 重量 Weight (Kg) | | |
| | pcs/box | boxes/Carton | Pcs/Box | N. W. /Pcs | N. W. /Box | G. W. /Box |
| | 1000 | 14 | 14000 | --- | --- | --- |

| | | | | | |
|--|--|--|--|--|--|
| THIS DOCUMENT IS THE SOLE PROPERTY OF BBJconn Technology Co.,Ltd. Corporation AND SHOULD NOT BE USED IN WHOLE OR IN PART WITHOUT PRIOR WRITTEN PERMISSION. | | 深圳市步步精科技有限公司 .X: ±0.38 X: ±3* .XX: ±0.25 .X: ±2* .XXX: ±0.13 .XX: ±1* | | NAME: TYPE-C 16P 母座 板上四脚插 带柱 一体式 外壳带弹带凸凸四脚点 L=7.35 CH=1.68 编带 APPD. JM_Zheng P.J. NO.: 126-222-160002-V2G CHKD. LYX SIZE: A4 DRW NO.: PDWG.NO: 0100-2 DR. TSP FINISH: SEE NOTES MAT'L.: SEE NOTES SCALE: N/A REV.: A0 UNIT: mm PAGE: 3/3 | |
|--|--|--|--|--|--|