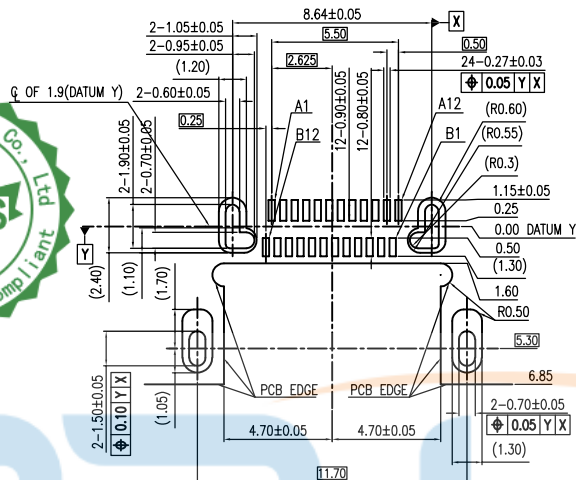
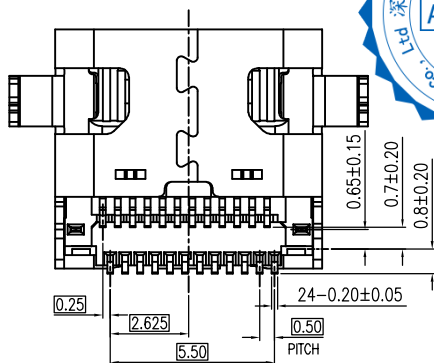
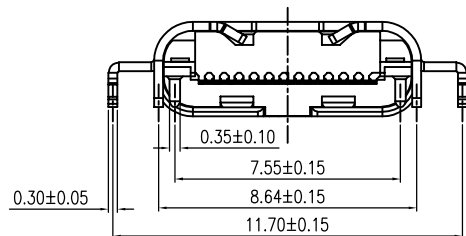
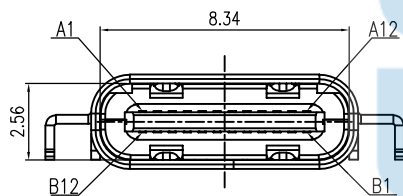
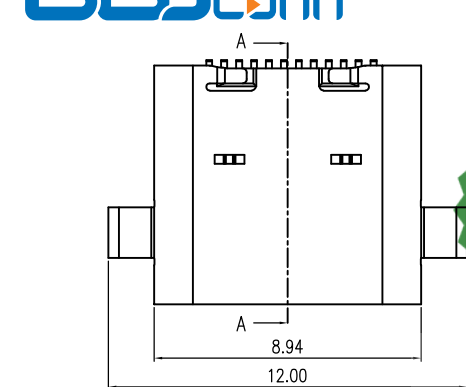
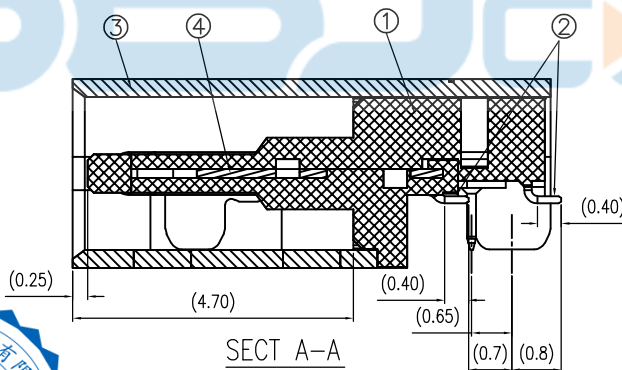


REV.	DESCRIPTION	NAME	DATE
A	NEWS ISSUE		



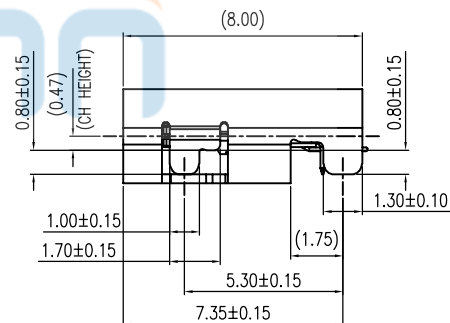
RECOMMENDED P.C.B. LAYOUT
TOLERANCE UNSPECIFIED ±0.05mm



SECT A-A
(2:1)

NOTE:

- MECHANICAL:
 - 1-1.MATING FORCE: 0.5~2.0Kgf
 - 1-2.UMMATING FORCE: Initial: 0.8~2.0Kgf
After 500 to 10,000cycles: 0.6~2.0Kgf
 - 1-3.FREQUENCE:200±50 CYCLES/HOUR,10000 CYCLES;
- ELECTRICAL CHARACTERISTICS:
 - 2-1. CURRENT RATING: 1.25A/PIN FOR FOR VBUS AND GND
0.25 A FOR OTHER PINS
 - 2-2. INITIAL CONTACT RESISTANCE:40mΩ Max.
 - 2-3. INSULATION RESISTANCE:100MΩ MIN
 - 2-4. WITHSTANDING VOLTAGE:100V AC,1 MINUTE;
- ENVIRONMENTAL
TEMPERATURE RANGE: -25°C TO +85°C.



ITEM	PART NAME	Q'TY	MATERIAL	FINISH
1	Insulator	1	THERMOPLASTIC	Black, UL94V-0
2	CONTACT	24	HIGH CONDUCTIVITY COPPER	Contact area:Gold plated over Ni .
3	SHELL	1	STAINLESS STEEL	Ni plated over all
4	MID-PLATE	1	STAINLESS STEEL	Ni plated over all

A1	GND	B12	GND
A2	SSTXP1	B11	SSRXP1
A3	SSTXN1	B10	SSRXN1
A4	VBUS	B9	VBUS
A5	CC1	B8	SBU2
A6	DP1	B7	DN2
A7	DN1	B6	DP2
A8	SBU1	B5	CC2
A9	VBUS	B4	VBUS
A10	SSRXN2	B3	SSTXN2
A11	SSRXP2	B2	SSTXP2
A12	GND	B1	GND
PIN	SIGNAL NAME	PIN	SIGNAL NAME

TOLERANCE UNSPECIFIED

X. ±0.40 X. ±5'
X.X ±0.30 X.X' ±4'
X.XX ±0.25 X.XX' ±3'
X.XXX±0.15 X.XXX' ±2'

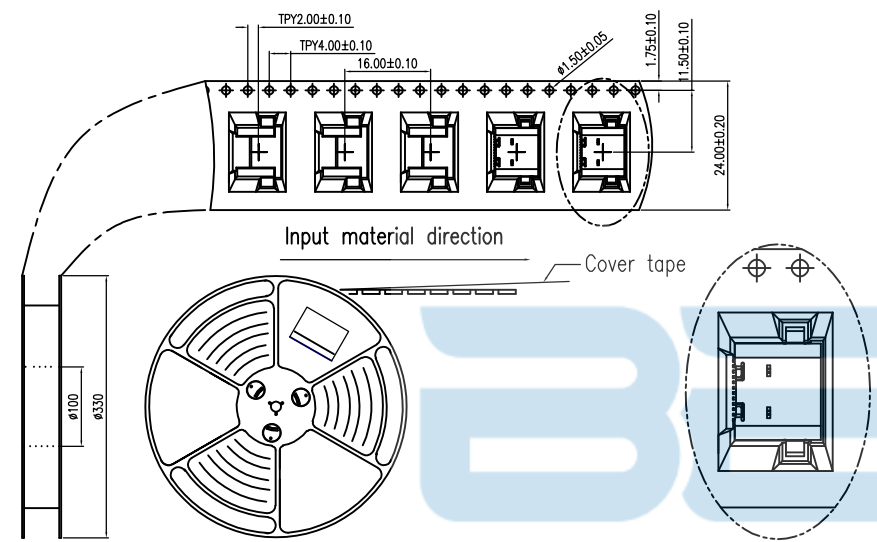
BBJconn 深圳市步步精科技有限公司

TITLE: Type-c 24p 沉板1.1 L=8.0 CH0.47 (JAE) 不带EMI

DRAWN/ DATE	设计	HMY	SIZE:A4	UNIT:MM.	PART. NO: 126-221-240017-J8G
CHECKED/ DATE	审核	LYX	SCALE: 1:1	PROJECTION	REV.: 版本
APPROVED/ DATE	核准	LJP	DWG. PATH	0382-1	SHEET: 页码



REV.	DESCRIPTION	NAME	DATE
A	NEWS ISSUE		

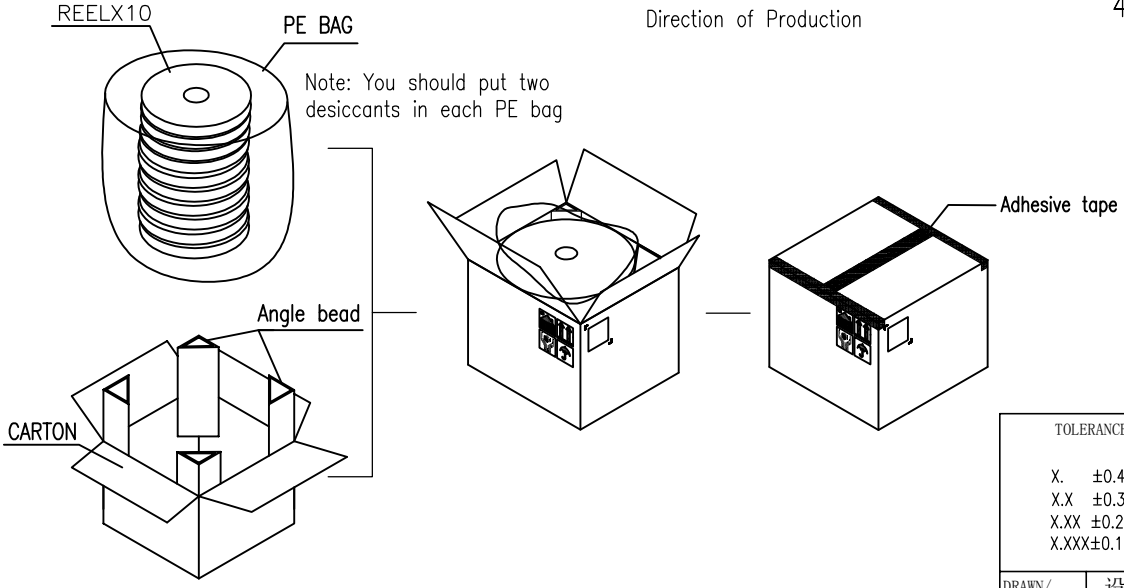


NOTES

1. NUMBER OF CONNECTORS:1050PCS/REEL
2. LEAD TAPE LENGTH

EMPTY 15PCS	PART 1050PCS	EMPTY 15PCS
LEADER 240mm	COMPONENT SUPPLIER	TRAILER 240mm

3. QUANTITY:10500/CARTON
4. WEIGHT :
 - 4.1 NET WEIGHT : 4.94 Kg
 - 4.2 GROSS WEIGHT : 9.2 Kg



TOLERANCE UNSPECIFIED		深圳市步步精科技有限公司 TITLE: Type-c 24p 沉板1.1 L=8.0 CH0.47 (JAE) 不带EMI	
X. ±0.40	X. ±5'	SIZE:A4	UNIT:MM.
X.X ±0.30	X.X' ±4'	PART. NO: 126-221-240017-J8G	
X.XX ±0.25	X.XX' ±3'	CHECKED/ DATE	SCALE: 1:1
X.XXX±0.15	X.XXX'±2'	APPROVED/ DATE	PROJECTION
DRAWN/ DATE	设计 HMY	DWG. PATH	REV.: 版本
CHECKED/ DATE	审核 LYX		SHEET: 页码
APPROVED/ DATE	核准 LJP	0382-1	