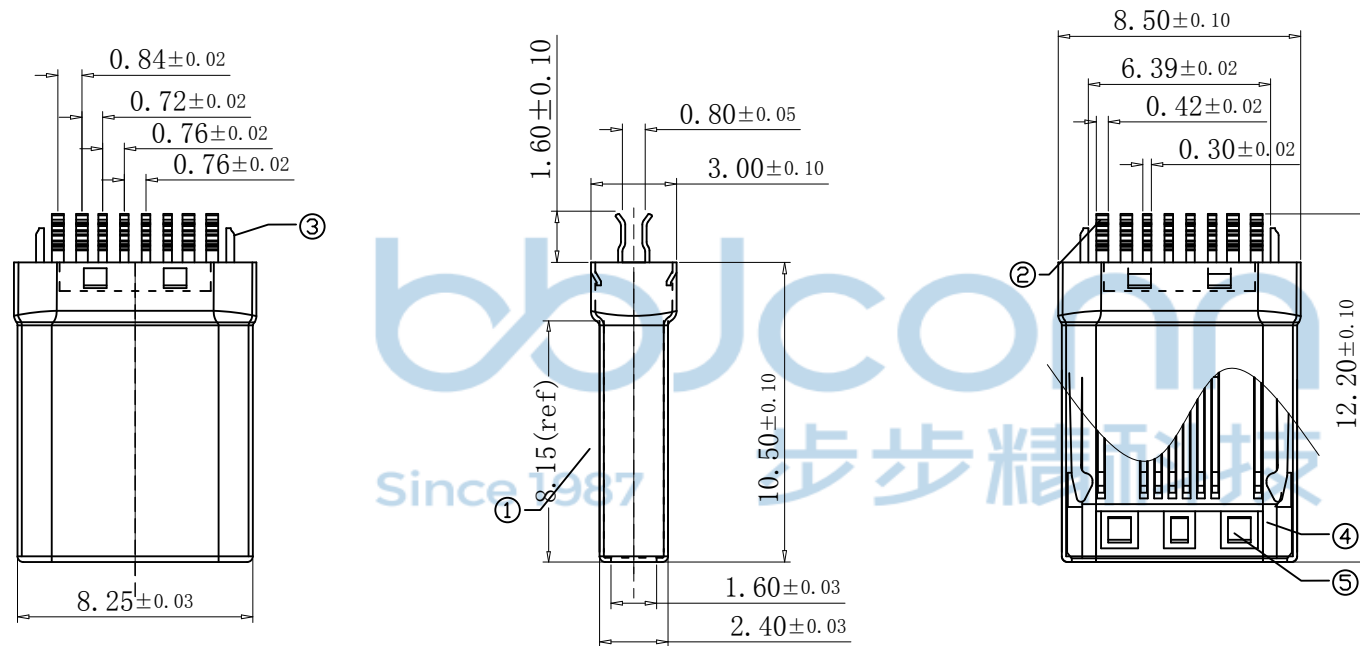
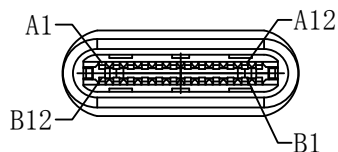


REV.	ECN NO	CONTENT	DATE	ENGINEER
AO		Initial release		LYX



技术参数:

- 机械性能:
  - 1.1 插入力:6~20N.
  - 1.2 拔出力:6~20N
- 电气性能:
  - 2.1 额定电流:2A MAX .
  - 2.2 额定电压:20V MAX.
  - 2.3 耐电压:100V AC.
- 环境温度:
  - 3.1 温度范围:-30° C ~ +85° C
  - 3.2 盐雾:PIN针24H. 外壳48H.



序号	产品名称	材料规格	表面处理/颜色	数量
1	外壳	SUS-304L	Ni :50" MIN	1
2	端子	C2680	镀金:G/F~Tin:50u~Ni:50u~MIN	16
3	卡钩	SUS301	Ni :30u" MIN	1
4	塑胶	LCP	黑色 UL 94V-0	1
5	EMI	SUS201	/	2

PIN DEFINITION  
FRONT VIEW

A1	A2	A3	A4	A5	A6	A7	A8	A9	A10	A11	A12
GND			VBus	CC1	D+	D-	SBU1	VBus			GND
GND			VBus	SBU2	D-	D+	CC2	VBus			GND
B12	B11	B10	B9	B8	B7	B6	B5	B4	B3	B2	B1

THIS DOCUMENT IS THE SOLE PROPERTY OF BBJconn Technology Co.,Ltd. Corporation AND SHOULD NOT BE USED IN WHOLE OR IN PART WITHOUT PRIOR WRITTEN PERMISSION.  
PDWG.NO: 0931-1

**深圳市步步精科技有限公司**

.X: ±0.38 .XX: ±0.25 .XXX: ±0.13	X': ±3" .X': ±2" .XX': ±1"	NAME: TYPE-C 16P 公头 拉伸款 夹板0.8左右接地 H=10.5黑色款 (3.0厚不带板) 带EMI弹片 管装
APPD. JM_Zheng	CHKD. Yan	PJ. NO.: 126-12A-160004-J8G SIZE: A4 DRW NO.:
DR. LYX		FINISH: SEE NOTES MAT'L.: SEE NOTES SCALE: N/A REV.: AO UNIT: mm PAGE: 1/1