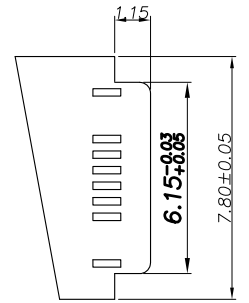
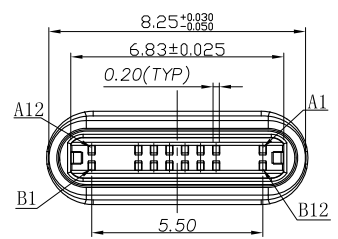
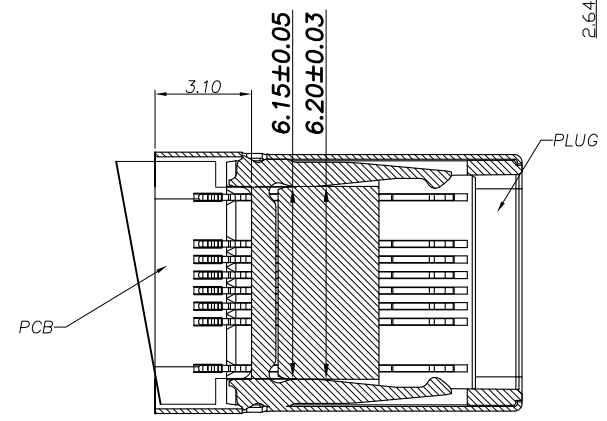
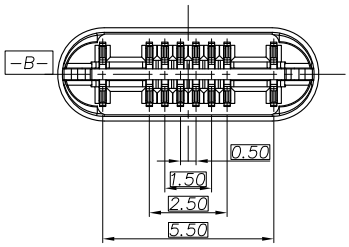
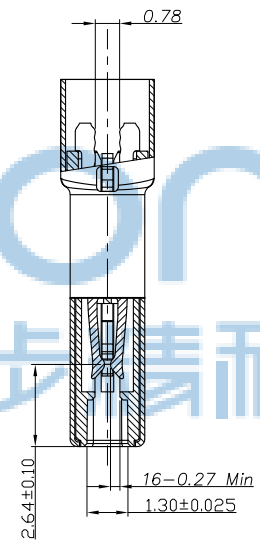
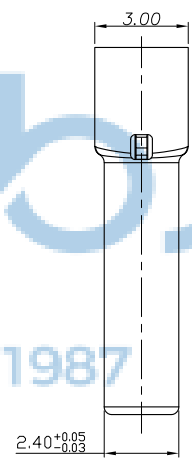
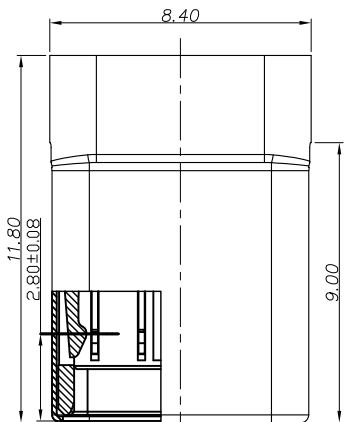
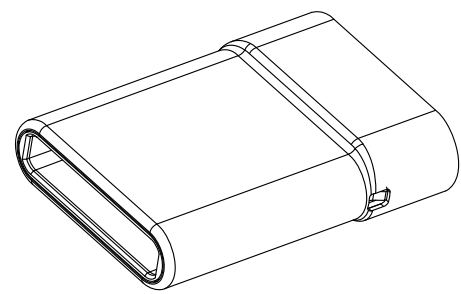


REV.	ECN NO	CONTENT	DATE	ENGINEER
A0				

A
B
C
D
E



PCB:FR-4,T=0.8mm



NOTE:

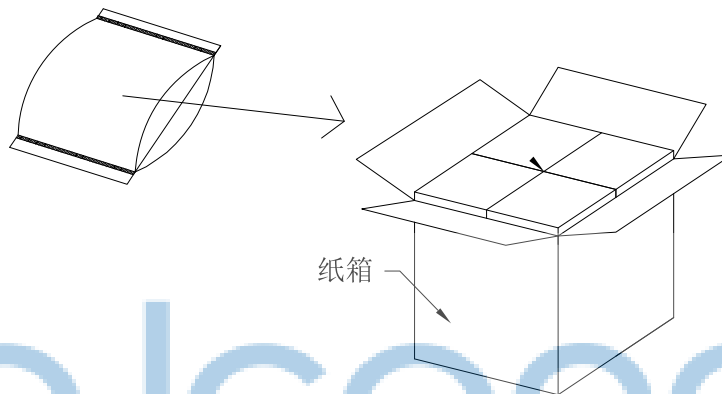
- MATERIAL SPECIFICATION:
 - HOUSING: LCP BLACK, 30% GF UL94 V-0.
 - CONTACTS: H62
 - LATCH: SUS201 T=0.30mm
 - SHELL: SUS201 T=0.15mm
- PLATING SPECIFICATION:
 - CONTACTS:
 - Ni 50u" MIN. UNDER PLATED OVER ALL.
 - 0.7u" Au PLATED ON THE FUNCTIONAL AREA OF CONTACT. 80u" BRIGHT TIN PLATING ON SOLDER AREA
 - SHELL:
 - Ni 80u" MIN. UNDER PLATED OVER ALL.
 - SALT SPRAY: 24H.(SHELL)
- MECHANICAL PERFORMANCE,
 - INSERTION FORCE: 0.5~2.0kgf.
 - REMOVAL FORCE: 0.8kgf~2.0kgf.
 - DURABILITY: 10000 CYCLES.
- ELECTRICAL PERFORMANCE,
 - CURRENT RATING: 3A
VOLTAGE RATING: 20V
 - INSULATION RESISTANCE: 100MΩ MIN
 - DIELECTRIC WITHSTAND VOLTAGE, AC 100V FOR 1 MINUTE.
 - LOW CONTACT RESISTANCE: INITIAL 40MΩ AFTER 50MΩ
- ENVIRONMENTAL PERFORMANCE:
 - OPERATING TEMPERATURE: -30°C~+80°C.
- IR REFLOW:
 - THE PEAK TEMPERATURE ON THE BOARD SHALL BE MAINTAINED FOR 10 SECONDS AT 260°C.



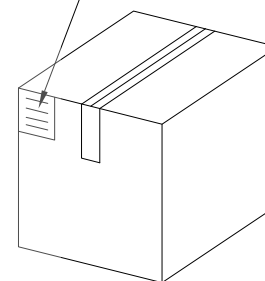
THIS DOCUMENT IS THE SOLE PROPERTY OF BBJconn Technology Co., Ltd Corporation AND SHOULD NOT BE USED IN WHOLE OR IN PART WITHOUT PRIOR WRITTEN PERMISSION.		深圳市步步精科技有限公司	
PDWG.NO: 0100-2	DR. TSP	.X: ±0.38 .XX: ±0.25 .XXX: ±0.13	X': ±3" X": ±2" XX': ±1"
APPD. JM_Zheng		NAME: TYPE-C 16P 公头 直立式 H=11.80 夹板0.78	
CHKD. LYX		PJ. NO.: 126-12A-160001-V2G SIZE: A4 DRW NO.:	
FINISH: SEE NOTES		MAT'L.: SEE NOTES	
SCALE: N/A		REV.: A0 UNIT: mm PAGE: 1/2	

REV.	ECN NO	CONTENT	DATE	ENGINEER
A0				

PE袋规格: 260*185



成品标签



1. 包装要求:

- 1.1 每个PE袋包装2000PCS;
- 1.2 每1袋放一小纸盒;
- 1.3 每20个小纸盒放一个纸箱, 共计40000PCS ;
- 1.4 纸箱外贴上标签



THIS DOCUMENT IS THE SOLE PROPERTY OF BBJconn Technology Co., Ltd. Corporation AND SHOULD NOT BE USED IN WHOLE OR IN PART WITHOUT PRIOR WRITTEN PERMISSION.		深圳市步步精科技有限公司 .X: ±0.38 X': ±3" .XX: ±0.25 X'': ±2" .XXX: ±0.13 .XX': ±1"		NAME: TYPE-C 16P 公头 直立式 H=11.80 夹板0.78	
APPD.	JM_Zheng	P.J. NO.: 126-12A-160001-V2G SIZE: A4 DRW NO.:		FINISH: SEE NOTES MAT'L.: SEE NOTES	
CHKD.	LYX	SCALE: N/A		REV.: A0	UNIT: mm
PDWG.NO:	0100-2	DR.	TSP	PAGE: 2/2	