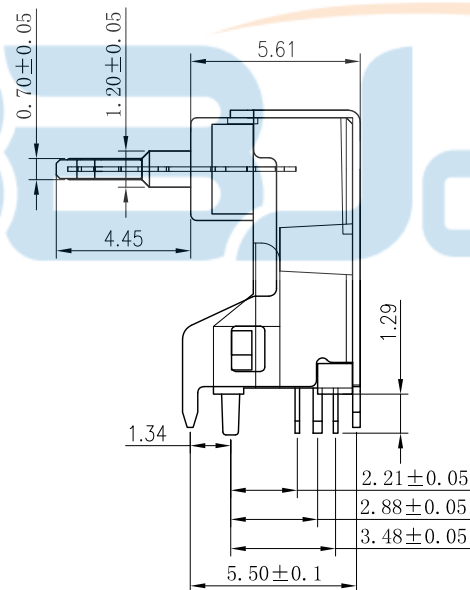
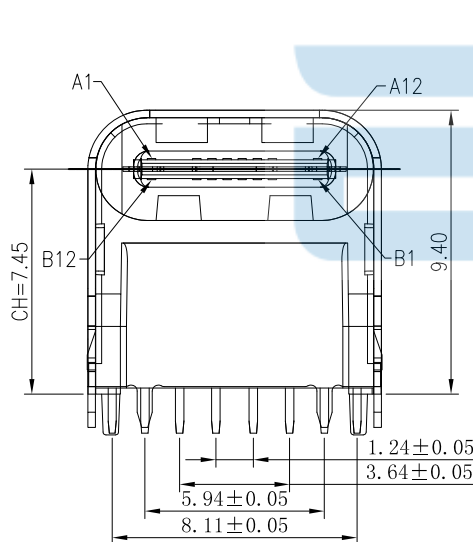


REV.	DESCRIPTION	NAME	DATE
A	NEWS ISSUE		

NOTES:

SPECIFICATION:

- CURRENT RATING: 3.0A MAX
- VOLTAGE: 100 VAC
- TEMPERATURE RANGE: -30 °C ~ 85 °C
- CONTACT RESISTANCE: 40 MILLIONHM MAX
- INSULATION RESISTANCE: 100 MEGOHMS MIN.
- INSERTION FORCE : 5N~20N
- UNMATING FORCE: 8N~20N
- DURABILITY: 10,000 CYCLES



NO.	DESCRIPTION	MATERIAL	REMARKS	QTY
5	SHELL	STAINLESS STEEL SUS201	NI Plated	1PCS
4	SHIELDING PLATE	STAINLESS STEEL SUS201	NI Plated	1PCS
3	CONTACT	COPPER ALLOY C2680	TIN/Au/Ni Plated	1SET
2	SHELL HOUSING	HIGH TEMPERATURE PLASTIC LCP	White	1PCS
1	HOUSING	HIGH TEMPERATURE PLASTIC LCP	White	1PCS

TOLERANCE UNSPECIFIED

.0	±0.35
.00	±0.25
.000	±0.15
X. °	±2.00°

CUSTOMER DRAWING

**BBJconn** 深圳市步步精科技有限公司

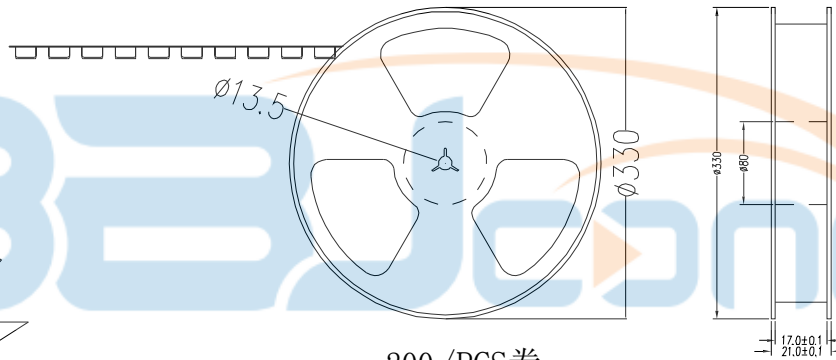
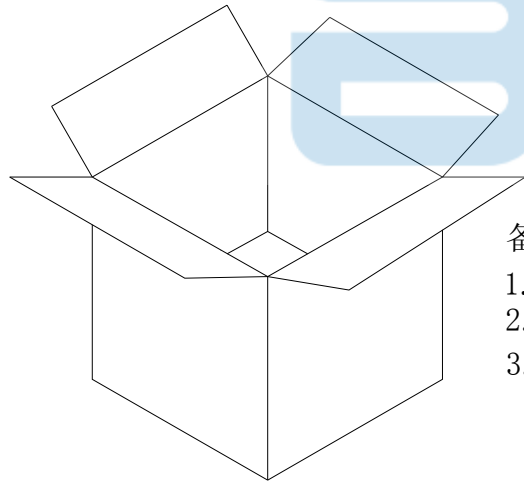
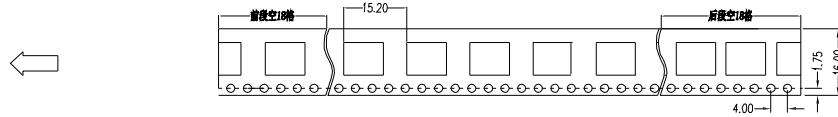
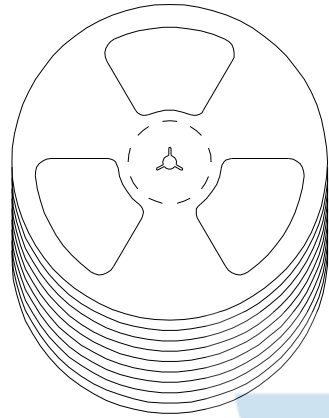
TITLE:  
TYPE-C 16P 母座 板上四脚插 带柱 L=5.61 CH=7.45 舌片外漏4.45 端子DIP

DRAWN/ DATE	设计 TSP	SIZE:A4	UNIT:MM.	PART. NO: 126-222-160001-J8G
CHECKED/ DATE	审核 LYX	SCALE: 1:1	PROJECTION	REV.: 版本
APPROVED/ DATE	核准 LJP	DWG. PATH	0338-1	SHEET: 页码

PIN NO	A1&B12	A4&B9	A5	A5	A9&B4	A12&B1
SIGNAL NAME	GND	VBUS	CC1	CC2	VBUS	GND
PCB PAD NO.	C1	C2	C3	C4	C5	C6



REV.	DESCRIPTION	NAME	DATE
A	NEWS ISSUE		



备注:

1. 包装数量: 200 / PCS / 卷, 10卷 / 箱或15卷 / 箱。
2. 包装袋长度: 每卷前后各空10-20个空格, 中间包装。

3. 材质:

载体: 聚丙烯 (PS), 阻抗 $10^{6-9} \Omega$

上带: 聚乙烯 (PET), 阻抗 $10^{6-11} \Omega$

卷盘: 聚苯乙烯。

纸箱规格: 345\*345\*23MM

纸箱规格: 345\*345\*35MM

TOLERANCE UNSPECIFIED		深圳市步步精科技有限公司 TITLE: TYPE-C 16P 母座 板上四脚插带柱 L=5.61 CH=7.45 舌片外漏4.45 端子DIP				
.0	±0.35					
.00	±0.25	DRAWN/ DATE	设计 TSP	SIZE: A4	UNIT: MM.	PART. NO: 126-222-160001-J8G
.000	±0.15	CHECKED/ DATE	审核 LYX	SCALE: 1:1	PROJECTION	REV.: 版本
X. °	±2.00°	APPROVED/ DATE	核准 LJP	DWG. PATH	0338-1	SHEET: 页码
CUSTOMER DRAWING						