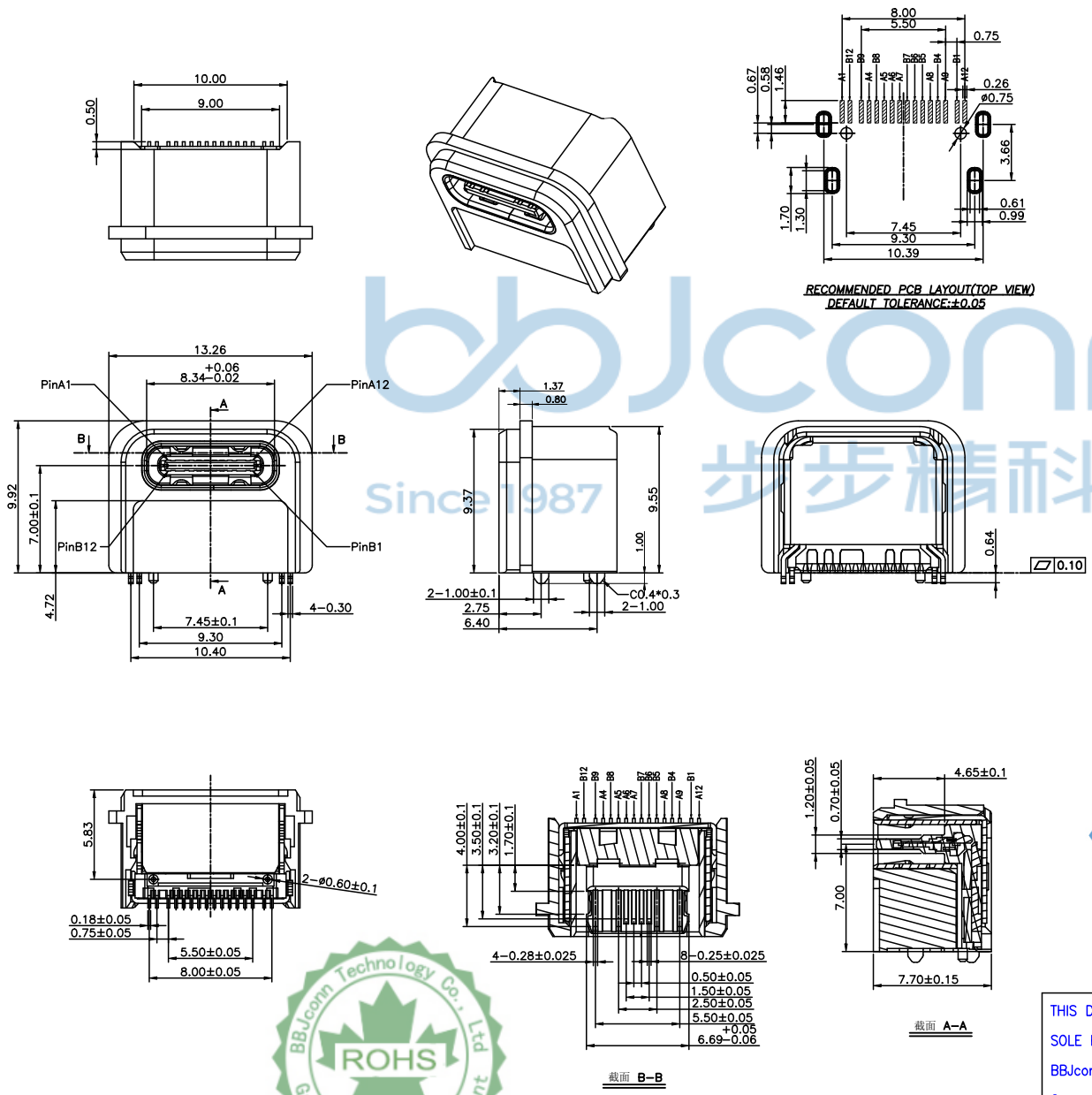


REV	ECN NO	CONTENT	DATE	ENGINEER
A0		INITIAL RELEASE	/	LYX

- MATERIAL SPECIFICATION:
  - HOUSING: HIGH TEMPERATURE RESISTANT PLASTIC, UL94 V-0.
  - TERMINAL: COPPER ALLOY (C2680 T=0.15)
  - MID PLATE: STAINLESS STEEL (SUS301)
  - FRONT SHELL: STAINLESS STEEL (SUS304)
  - TOP SHELL: STAINLESS STEEL (SUS304)
- PLATING SPECIFICATION:
  - CONTACTS:
    - Ni 50u" MIN. UNDER PLATED OVER ALL.
    - Au 2u" PLATED ON THE FUNCTIONAL AREA OF CONTACT.
    - G/F GOLD PLATING THICKNESS FOLLOW
  - FRONT SHELL & TOP SHELL:
    - Ni 30u" MIN. UNDER PLATED OVER ALL.
  - MID PLATE:
    - CLEAR ONLY
- MECHANICAL PERFORMANCE,
  - INSERTION FORCE: 0.5~2.0kgf.
  - REMOVAL FORCE: 0.8kgf~2.0kgf.
  - DURABILITY: 10000 CYCLES.
- ELECTRICAL PERFORMANCE,
  - VOLTAGE RATING: 5 V DC/AC (RMS. max)  
CURRENT RATING: 3 AMPS. FOR TOTAL VBUS/GND PINS;  
1.25AMPS FOR CC PIN, 0.25 AMPS. FOR ALL OTHER CONTACT.
  - LLCR:
    - VBUS & GND PINS AND OTHER PINS: 40mΩ/PIN MAX.
    - SHIELD: 50mΩ/MAX.
    - LLCR MAX. CHANGE OF ALL PINS: 10mΩ.
  - INSULATION RESISTANCE: 100MΩ MIN
  - DIELECTRIC WITHSTAND VOLTAGE, AC 100V FOR 1 MINUTE.
- ENVIRONMENTAL PERFORMANCE:
  - OPERATING TEMPERATURE: -25°C~+85°C.
- IR REFLOW:
  - THE PEAK TEMPERATURE ON THE BOARD SHALL BE MAINTAINED FOR 10 SECONDS AT 260°C.



USB TYPE-C PIN ASSIGNMENTS

A1	GND	B12	GND
A4	VBUS	B9	VBUS
A5	CC1	B8	RFU2
A6	DP1	B7	DN2
A7	DN1	B6	DP2
A8	RFU1	B5	CC2
A9	VBUS	B4	VBUS
A12	GND	B1	GND
PIN	SIGNAL NAME	PIN	SIGNAL NAME



THIS DOCUMENT IS THE SOLE PROPERTY OF BBJconn Technology Co., Ltd. CORPORATION AND SHOULD NOT BE USED IN WHOLE PRIOR WRITTEN PERMISSION.

PDWG NO: 0338-1

**深圳市步步精科技有限公司**

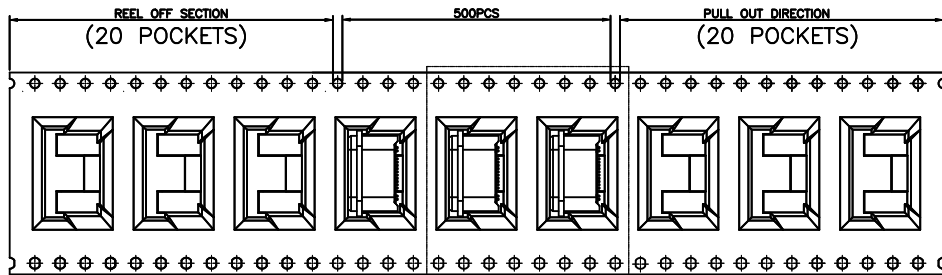
NAME: TYPE-C 16P 母座 板上 四脚插带柱 带中夹片 L=7.7 CH=7.0 垫高4.72 端子SMT 固定脚长1.0 镀金2u"

APPD: JM\_Zheng  
CHKD: Tang  
DR: LYX

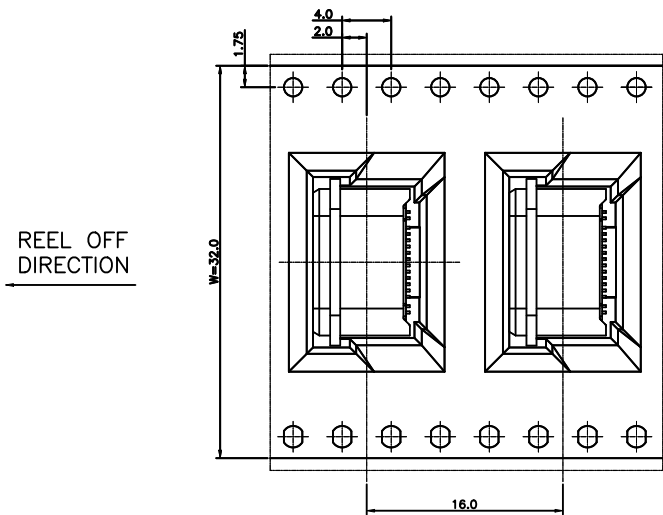
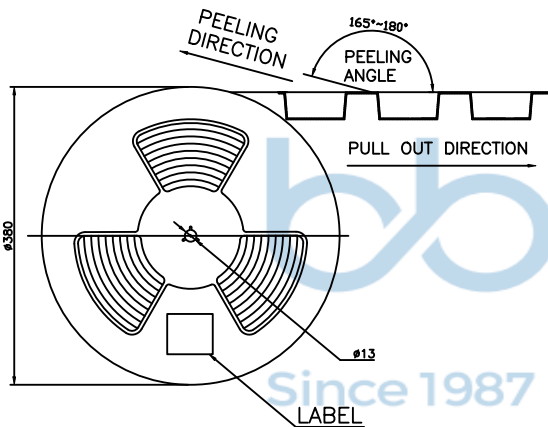
PJ NO: 126-221-160004-J8G  
SIZE: A4  
FINISH: SEE NOTES  
SCALE: N/A

DRW NO:  
MAT'L: SEE NOTES  
REV: A0  
UNIT: mm

PAGE: 1/2



SEE DETAIL X



bbJconn  
Since 1987 步步精科技

REV	ECN NO	CONTENT	DATE	ENGINEER
A0		INITIAL RELEASE	/	LYX

PAPER BOARD

REEL AND TAPE

REEL AND TAPE

PAPER BOARD



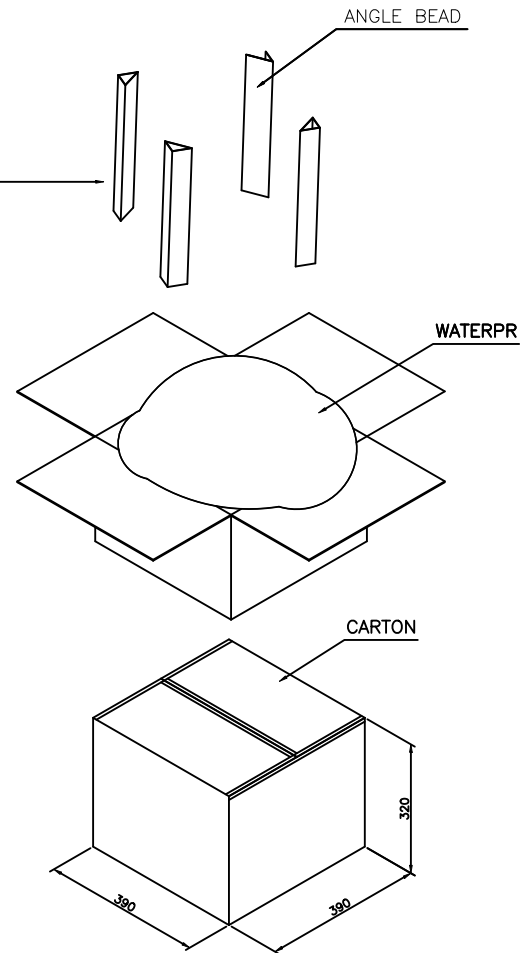
PULL OUT DIRECTION



ANGLE BEAD

WATERPR

CARTON



CONNECTOR (PCS)	REEL	CARTON
	500	4000

THIS DOCUMENT IS THE SOLE PROPERTY OF BBJconn Technology Co.,Ltd. Corporation AND SHOULD NOT BE USED IN WHOLE PRIOR WRITTEN PERMISSION. PDWG NO:0338-1

深圳市步步精科技有限公司

.X: ±0.38 .XX: ±0.25 .XXX: ±0.13	X': ±3' .X': ±2' .XX': ±1'	NAME: TYPE-C 16P 母座 板上 四脚插带柱 带中夹片 L=7.7 CH=7.0 垫高4.72 端子SMT 固定脚长1.0 镀金2u"
APPD: JM_Zheng	CHKD: Tang	PJ NO:126-221-160004-J8G
DR: LYX		SIZE:A4   DRW NO:
		FINISH:SEE NOTES   MAT'L:SEE NOTES
		SCALE:N/A   REV:A0   UNIT:mm   PAGE:2/2