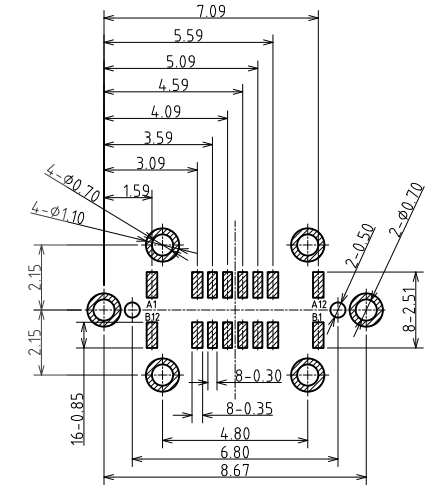
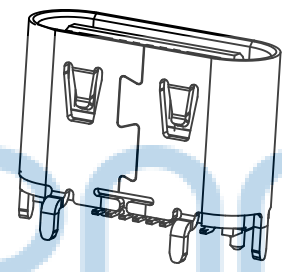
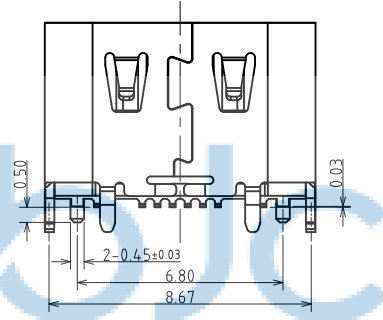
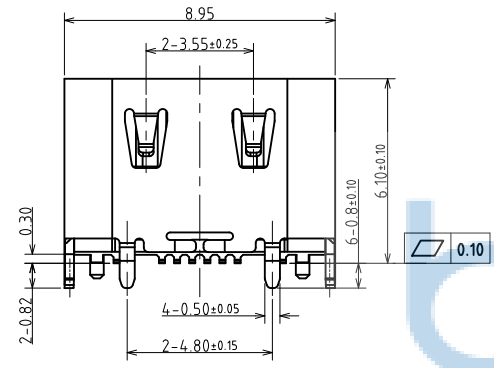
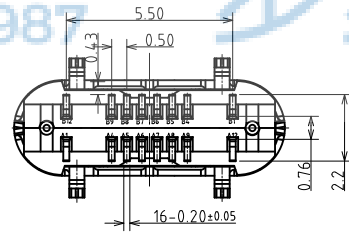
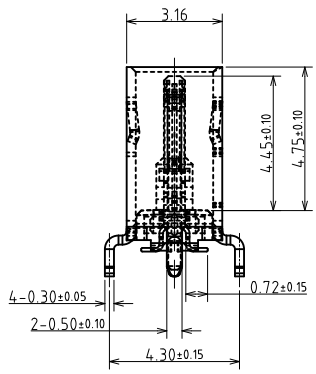


REV.	ECN NO.	CONTENT	DATE	ENGINEER
A0		Initial release	/	ZY

NOTE:
 △ MATERIAL & FINISH SEE TABLE;
 2. RATINGS
 2-1.CURRENT RATING :5A.
 2-1.VOLTAGE RATING: 20V DC/AC.
 2-3.OPERATING TEMPERATURE: -40°- 85°C
 3. CHARACTERISTIC:
 3-1.CONTACT RESISTANCE: 40mOHM MAX.(INITIAL),
 3-2.INSULATION RESISTANCE:100MOHMS MIN.
 3-3.DIELECTRIC WITHSTANDING VOLTAGE:100VAC/1MINUTE
 3-4.MATING FORCE: 5-20N;
 3-5.WITHDRAWAL FORCE: 8-20N.(INITIAL);
 6-20N.(AFTER TEST);
 3-6.DURABILITY: 10,000 CYCLES



RECOMMENDED P.C.B. LAYOUT
TOLERANCE ±0.05mm



PIN ASSIGNMENT:

A1	A2	A3	A4	A5	A6	A7	A8	A9	A10	A11	A12
GND			VBUS	CC1	D+	D-	SBU1	VBUS			GND
GND			VBUS	SBU2	D-	D+	CC2	VBUS			GND

B12 B11 B10 B9 B8 B7 B6 B5 B4 B3 B2 B1

ITEM	PART NAME	MATERIAL	DESCRIPTION
5	CAP	THERMOPLASTICS	BLACK,UL94V-0
4	SHELL	STAINLESS STEEL	NICKEL UNDER PLATED OVERALL.
3	METAL	STAINLESS STEEL	CLEAR
2	HOUSING	THERMOPLASTICS	BLACK,UL94V-0
1	TERMINAL	COPPER ALLOY	NICKEL UNDER PLATED OVERALL. AU PLATED ON CONTACT AREA SEE P/N GOLD FLASH ON SOLDER TAILS

WITH PICK-CAP
SCALE 1: 2
10.00 4.00 7.20

THIS DOCUMENT IS THE SOLE PROPERTY OF BBJconn Technology Co.,Ltd. Corporation AND SHOULD NOT BE USED IN WHOLE OR IN PART WITHOUT PRIOR WRITTEN PERMISSION.
PDWG:NO: 0338-1

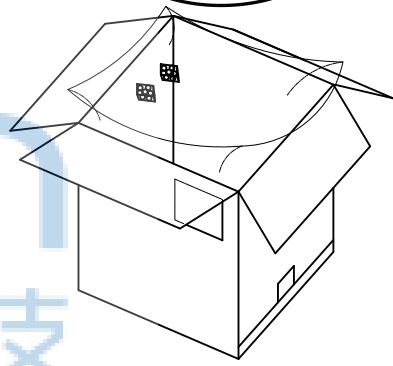
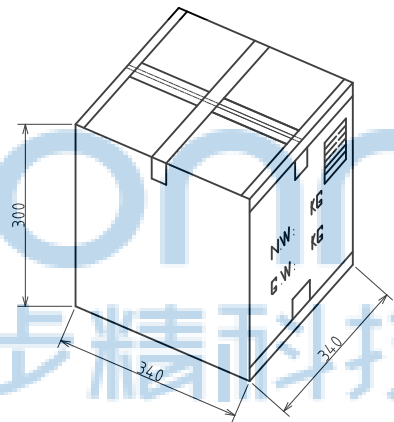
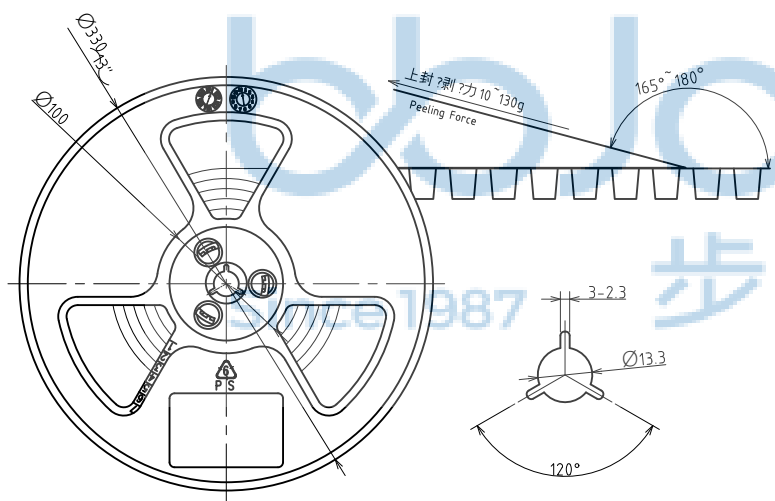
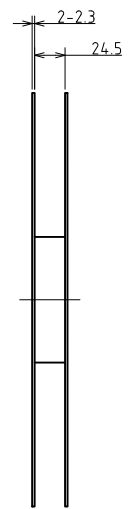
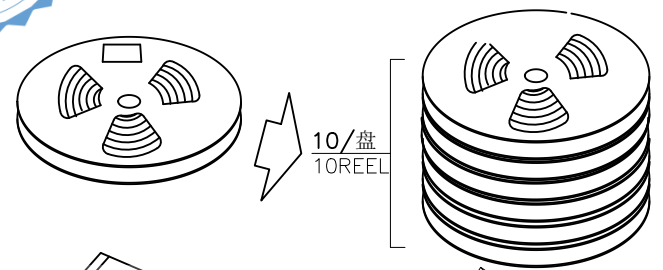
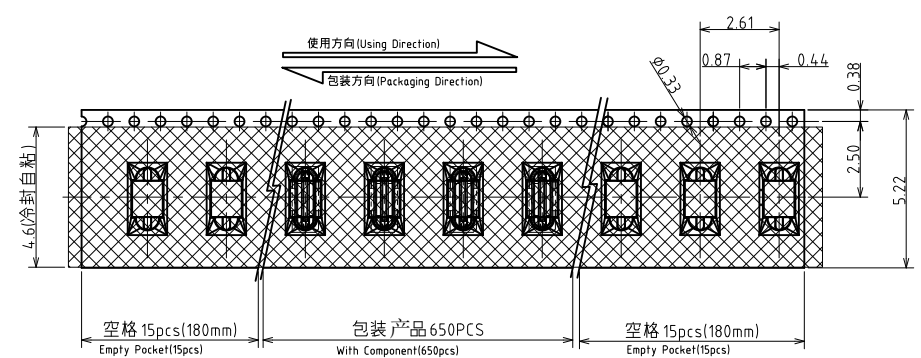
深圳市步步精科技有限公司

NAME: TYPE-C 16P 母座
直立式 H=6.1 带弹 六脚插 带柱 端子SMT

PJ. NO.: 126-224-160015-J8G
SIZE: A4 DRW NO.:

FINISH: SEE NOTES MAT'L: SEE NOTES
SCALE: N/A REV.: A0 UNIT: mm PAGE: 1/2

APPD. JM_Zheng
CHKD. LYX
DR. ZY



650	6.5K	---	---
??数量 (Pcs/Reel)	整箱数量 (Pcs/Carton)	?品?重 N.W./PC	整箱毛量 G.W./Carton
数量(Quantity)		重量(Weight)	
包装明细表(The Detail of the Packing)			

1. 载带材料: PET 透明, 料厚 0.50±0.05mm
2. 卷盘材料: PS 蓝色, 产品包装数量: 650个/(13“通用标准盘);
3. 产品包装数量: 6.5K PCS/箱;
4. 尾数箱 请用泡棉填满, 并贴位数标签包装原则以产品在纸箱中不能晃动为准;
5. 产品标签注明: 料号, 数量, 交货日期;



THIS DOCUMENT IS THE SOLE PROPERTY OF BBJconn Technology Co., Ltd. Corporation AND SHOULD NOT BE USED IN WHOLE OR IN PART WITHOUT PRIOR WRITTEN PERMISSION. PDWG,NO: 0338-1

深圳市步步精科技有限公司

.X: ±0.38 X*: ±3*
.XX: ±0.25 .X*: ±2*
.XXX: ±0.13 .XX*: ±1*

NAME: TYPE-C 16P 母座
直立式 H=6.1 带弹 六脚插 带柱 端子SMT

APPD. JM_Zheng P.J. NO.: 126-224-160015-J8G
CHKD. LYX SIZE: A4 DRW NO.:

FINISH: SEE NOTES MAT'L.: SEE NOTES
SCALE: N/A REV.: A0 UNIT: mm PAGE: 2/2