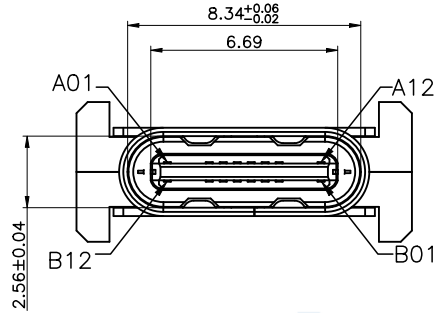
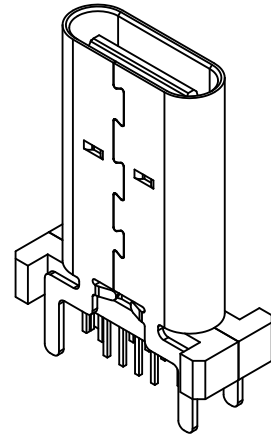
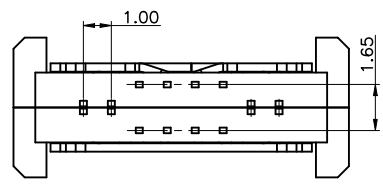
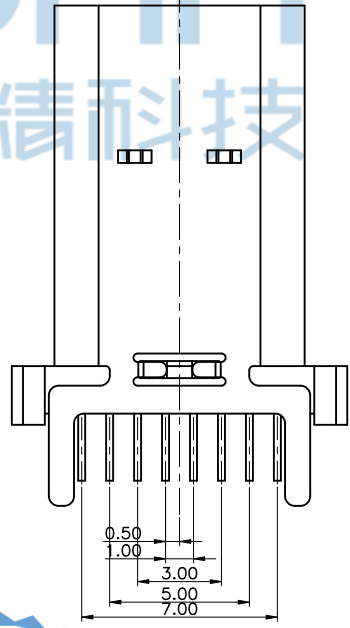
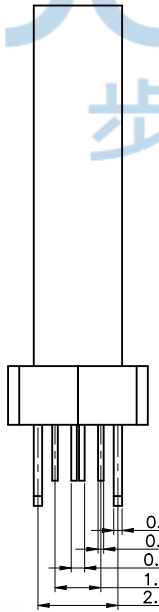
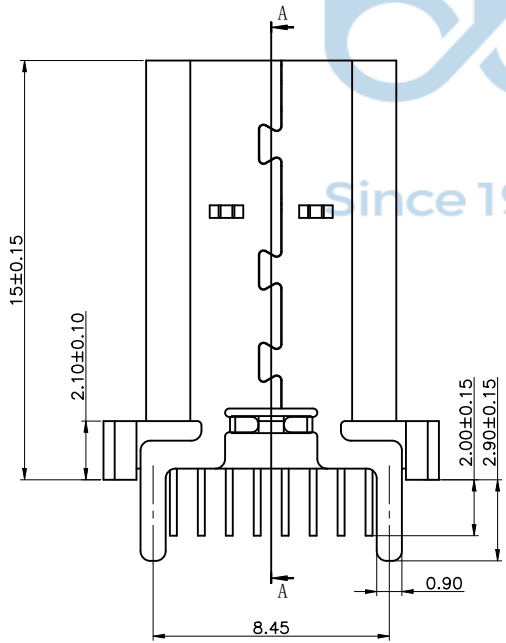


| REV | ECN NO | CONTENT | DATE | ENGINEER |
|-----|--------|-----------------|------|----------|
| A0 | | INITIAL RELEASE | / | LYX |



- NOTE:
- MATERIAL SPECIFICATION:
 - HOUSING: HIGH TEMPERATURE RESISTANT PLASTIC, UL94 V-0.
 - TERMINAL: COPPER ALLOY
 - MID PLATE: STAINLESS STEEL
 - FRONT SHELL: STAINLESS STEEL
 - PLATING SPECIFICATION:
 - Ni 50u" MIN. UNDER PLATED OVER ALL.
 - Au PLATED ON THE FUNCTIONAL AREA OF CONTACT.
 - Tin PLATED ON SOLDER AREA OF CONTACT.
 - FRONT SHELL:
 - Ni 50u" MIN. UNDER PLATED OVER ALL.
 - MID PLATE: CLEAR ONLY
 - MECHANICAL PERFORMANCE,
 - INSERTION FORCE: 0.5~2.0kgf.
 - REMOVAL FORCE: 0.8kgf~2.0kgf.
 - DURABILITY: 10000 CYCLES.
 - ELECTRICAL PERFORMANCE,
 - CURRENT RATING: 3.0A/5.0A
VOLTAGE RATING: 5.0V
1.25AMPS FOR CC PIN, 0.25 AMPS. FOR ALL OTHER CONTACT.
 - LLCR:
 - VBUS & GND PINS AND OTHER PINS: 40mΩ/PIN MAX.
 - SHIELD: 50mΩ/MAX.
 - LLCR MAX. CHANGE OF ALL PINS: 10mΩ.
 - INSULATION RESISTANCE: 100MΩ MIN
 - DIELECTRIC WITHSTAND VOLTAGE, AC 100V FOR 1 MINUTE.
 - ENVIRONMENTAL PERFORMANCE:
 - OPERATING TEMPERATURE: -25°C~+85°C.
 - THE PEAK TEMPERATURE ON THE BOARD SHALL BE MAINTAINED FOR 10 SECONDS AT 260°C.



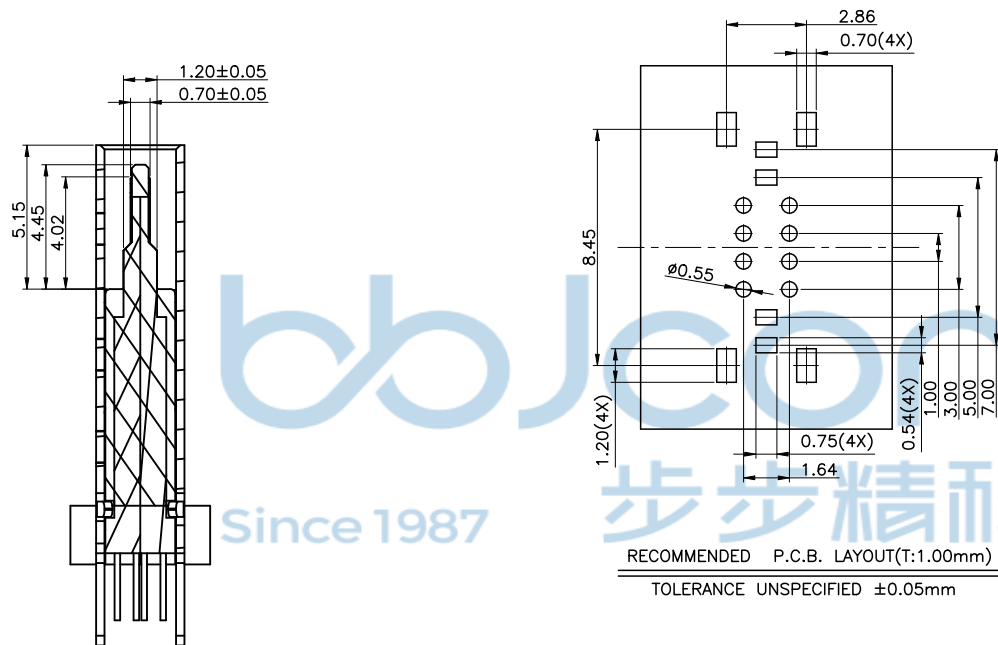
| 6 | SHELL | STAINLESS STEEL | NI Plated | 1PCS |
|-----|-----------------|--------------------------|--------------|------|
| 5 | SHIELDING PLATE | STAINLESS STEEL | --- | 1PCS |
| 4 | MD | HIGH TEMPERATURE PLASTIC | BLACK | 1PCS |
| 3 | CONTACT | COPPER ALLOY | Au/Ni Plated | 1SET |
| 2 | CONTACT | COPPER ALLOY | Au/Ni Plated | 1SET |
| 1 | HOUSING | HIGH TEMPERATURE PLASTIC | | 1PCS |
| NO. | DESCRIPTION | MATERIAL | REMARKS | QTY |



THIS DOCUMENT IS THE SOLE PROPERTY OF BBJconn Technology Co.,Ltd. CORPORATION AND SHOULD NOT BE USED IN WHOLE PRIOR WRITTEN PERMISSION.
PDWG NO:0338-1

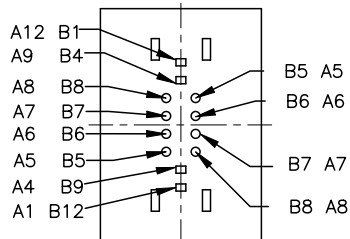
深圳市步步精科技有限公司

| | | |
|-------------|------------|--|
| .X: ±0.38 | .X': ±3' | NAME: TYPE-C 16P 母座 直立式 四脚DIP 端子DIP 带中夹片 H=15.0 编带 |
| .XX: ±0.25 | .X'': ±2' | |
| .XXX: ±0.13 | .X''': ±1' | |
| APPD | JM_Zheng | PJ NO: 126-225-160008-J8G |
| CHKD | Tang | SIZE:A4 DRW NO: |
| DR | LYX | FINISH:SEE NOTES MAT'L:SEE NOTES |
| | | SCALE:N/A REV:A0 UNIT:mm PAGE:1/3 |



RECOMMENDED P.C.B. LAYOUT(T:1.00mm)
TOLERANCE UNSPECIFIED ±0.05mm

SECTION:A-A



USB TYPE-C PIN ASSIGNMENTS

| PIN NUMBER | SIGNAL NAME | PIN NUMBER | SIGNAL NAME |
|------------|-------------|------------|-------------|
| A1 | GND | B12 | GND |
| A2 | | B11 | |
| A3 | | B10 | |
| A4 | VBUS | B9 | VBUS |
| A5 | CC1 | B8 | SBU2 |
| A6 | Dp1 | B7 | Dn2 |
| A7 | Dn1 | B6 | Dp2 |
| A8 | SBU1 | B5 | CC2 |
| A9 | VBUS | B4 | VBUS |
| A10 | | B3 | |
| A11 | | B2 | |
| A12 | GND | B1 | GND |

THIS DOCUMENT IS THE
SOLE PROPERTY OF
BBJconn Technology Co.,Ltd.
Corporation AND SHOULD
NOT BE USED IN WHOLE
PRIOR WRITTEN PERMISSION.
PDWG NO:0338-1

深圳市步步精科技有限公司

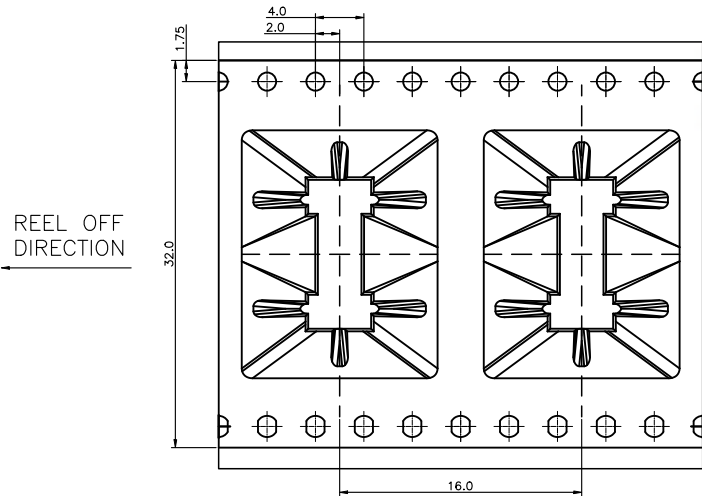
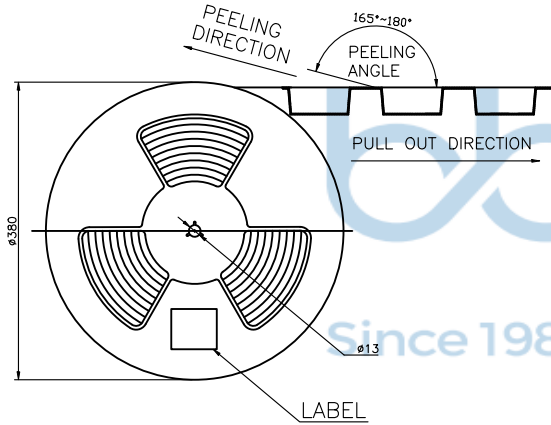
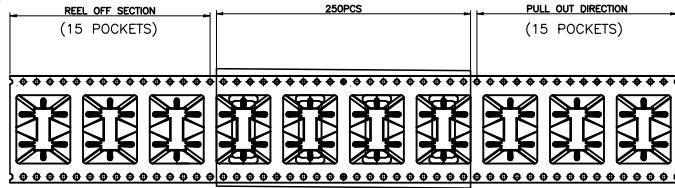
.X: ±0.38 X': ±3'
.XX: ±0.25 .X': ±2'
.XXX: ±0.13 .XX': ±1'

NAME: TYPE-C 16P 母座 直立式 四脚DIP 端子DIP
带中夹片 H=15.0 编带

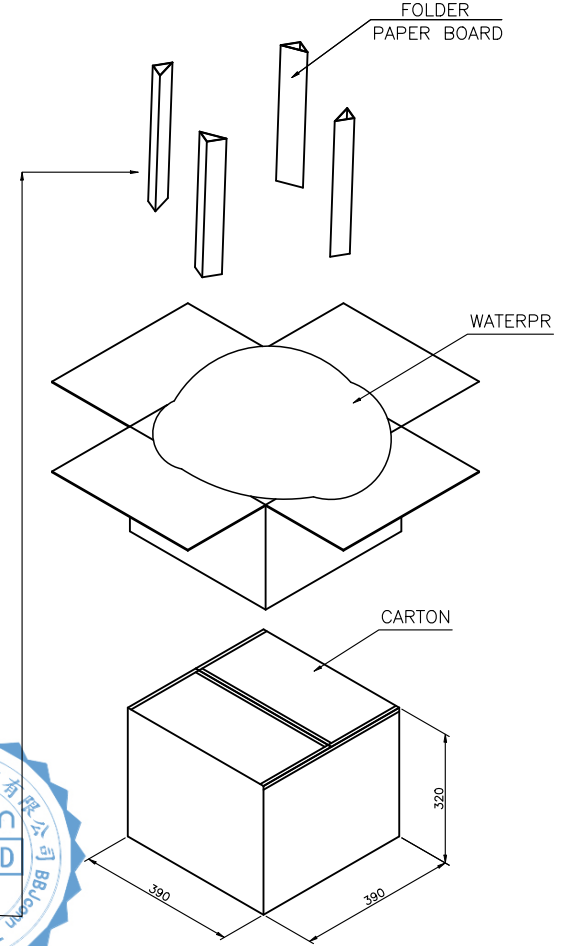
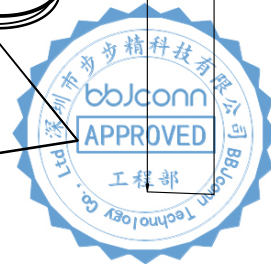
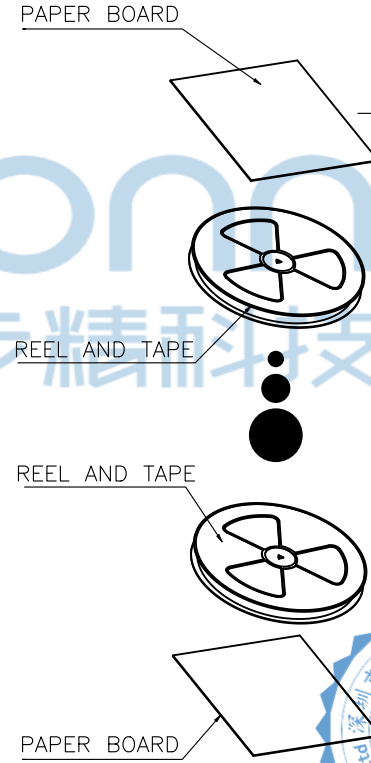
APPD JM_Zheng
CHKD Tang
DR LYX

PJ NO: 126-225-160008-J8G
SIZE:A4 DRW NO:
FINISH:SEE NOTES MAT'L:SEE NOTES
SCALE:N/A REV:A0 UNIT:mm PAGE:2/3

| REV | ECN NO | CONTENT | DATE | ENGINEER |
|-----|--------|-----------------|------|----------|
| A0 | | INITIAL RELEASE | / | LYX |



PULL OUT DIRECTION



| CONNECTOR (PCS) | REEL | CARTON |
|-----------------|------|--------|
| | 250 | 2500 |

| | | | |
|--|----------|--|--|
| THIS DOCUMENT IS THE SOLE PROPERTY OF BBulconn Technology Co.,Ltd. Corporation AND SHOULD NOT BE USED IN WHOLE PRIOR WRITTEN PERMISSION. | | 深圳市步步精科技有限公司 | |
| .X: ±0.38 .XX: ±0.25 .XXX: ±0.13 X': ±3' .X': ±2' .XX': ±1' | | NAME: TYPE-C 16P 母座 直立式 四脚DIP 端子DIP 带中夹片 H=15.0 编带 | |
| APPD | JM_Zheng | PJ NO: 126-225-160008-J8G | |
| CHKD | Tang | SIZE:A4 DRW NO: | |
| PDWG NO:0338-1 | DR LYX | FINISH:SEE NOTES MAT'L:SEE NOTES | |
| | | SCALE:N/A REV:A0 UNIT:mm PAGE:3/3 | |