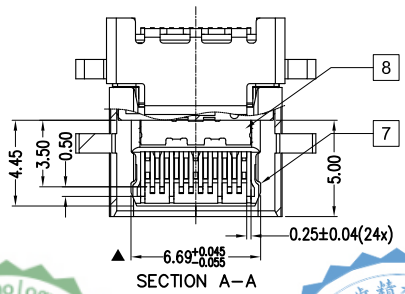
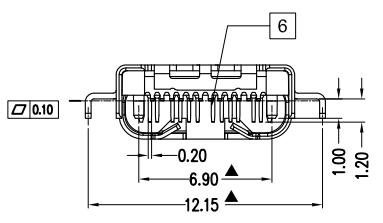
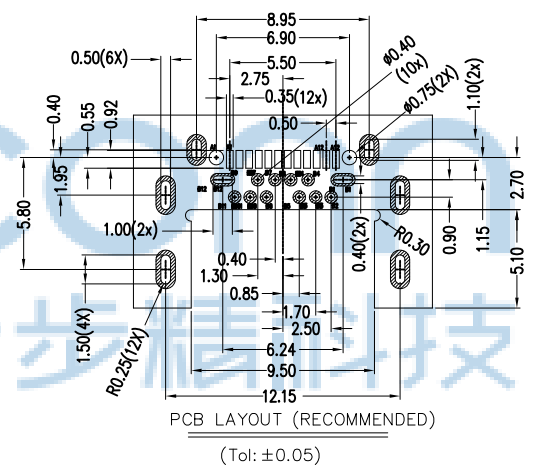
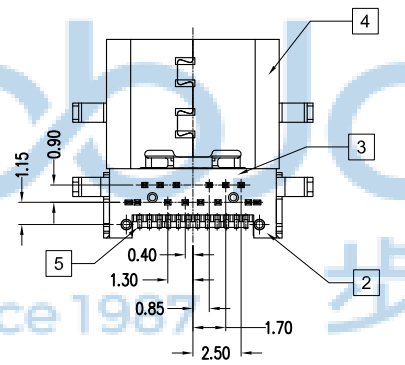
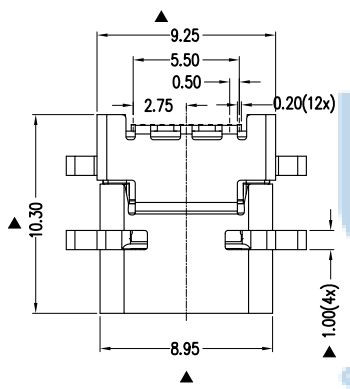
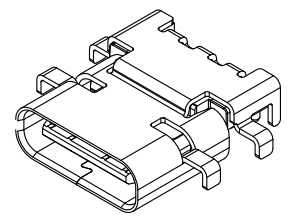
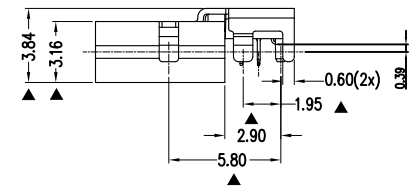
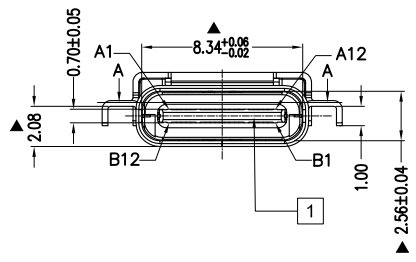


REV	ECN NO	CONTENT	DATE	ENGINEER
AO		INITIAL RELEASE	/	WYY

NOTE:
 1.ELECTRICAL PERFORMANCE:
 CURRENT RATING: 5A ON VBUS/ 1.25A ON VCONN/0.25A ON OTHERS
 INSULATION RESISTANCE:100MΩ MIN;
 DIELECTRIC VOLTAGE:100 VAC/MINUTE;
 CONTACT RESISTANCE:40MΩ MAX FOR INITIAL;
 2.MECHANICAL PERFORMANCE:
 INSERTION FORCE:5~20N
 EXTRACTION FORCE:8~20N
 DURABILITY:10,000 TIMES
 3.MID PLATE, EMC PLATE, SHELL CONNECTED TOGETHER



PIN	Signal Name	PIN	Signal Name
A1	GND	B12	GND
A2	SSTXp1	B11	SSRXp1
A3	SSTXn1	B10	SSRXn1
A4	VBUS	B9	VBUS
A5	CC1	B8	SBU2
A6	Dp1	B7	Dn2
A7	Dn1	B6	Dp2
A8	SBU1	B5	CC2
A9	VBUS	B4	VBUS
A10	SSRXn2	B3	SSTXn2
A11	SSRXp2	B2	SSTXp2
A12	GND	B1	GND



Item	Title	Material	Dispose	Q'TY
1	Insemold housing	LCP	Black	1PCS
2	Insemold-Top Contact	LCP	Black	1PCS
3	Insemold-Bottom Contact	LCP	Black	1PCS
4	Shell	Stainless Steel T=0.30	Ni: 30u" Min.	1PCS
5	Top Contact	Copper Alloy T=0.12	Mating Area: See P/N	12PCS
6	Bottom Contact	Copper Alloy T=0.12	Solder Tails: Ni: 50u" Min, Sn80u" Min.	12PCS
7	Mid Plate	Stainless Steel	Ni: 30u" Min, Sn80u" Min.	1PCS
8	EMC plate	Stainless Steel		2PCS

THIS DOCUMENT IS THE SOLE PROPERTY OF BBJconn Technology Co.,Ltd. Corporation AND SHOULD NOT BE USED IN WHOLE PRIOR WRITTEN PERMISSION.

PDWG NO: 0500-1

深圳市步步精科技有限公司

NAME: TYPE-C 24P 沉板2.08 L=10.30 CH0.39 SMT+DIP 6脚插

APPD: JM_Zheng

CHKD: LYX

DR: WYY

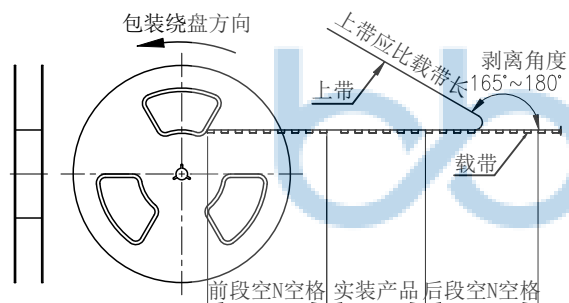
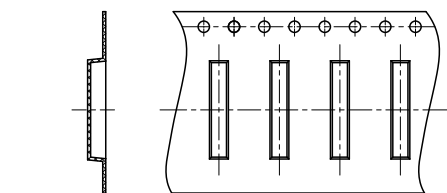
PJ NO: 126-223-240008-J8G

SIZE:A4 DRW NO:

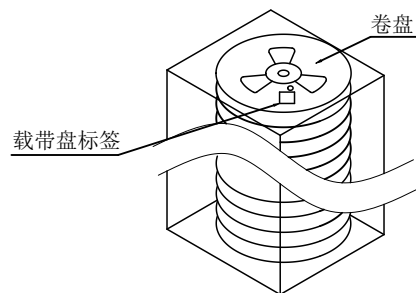
FINISH:SEE NOTES MAT'L:SEE NOTES

SCALE:N/A REV: A0 UNIT:mm PAGE: 1/1

REV.	ECN NO.	CONTENT	DATE	ENGINEER
AO		INITIAL RELEASE	/	WYY

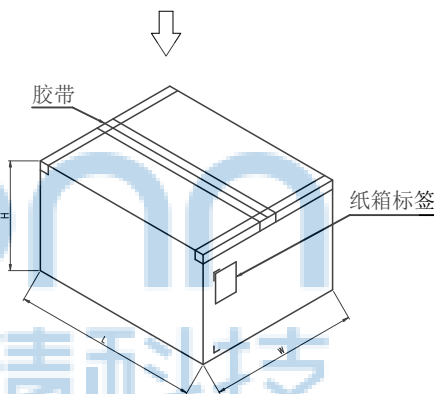


Since 1987



备注:

- 1、包装数量：600/PCS/卷，10卷/箱。
- 2、包装袋长度：每卷前后各空10-20个空格，中间包装。
- 3、材质：
载体：聚丙烯（PS），阻抗 $10^{6-9} \Omega$
上带：聚乙烯（PET），阻抗 $10^{6-11} \Omega$
卷盘：聚苯乙烯。



纸箱规格：W345*L345*H230MM



THIS DOCUMENT IS THE SOLE PROPERTY OF BBJconn Technology Co.,Ltd. Corporation AND SHOULD NOT BE USED IN WHOLE PRIOR WRITTEN PERMISSION.		深圳市步步精科技有限公司	
.X: ±0.38 X: ±3" .XX: ±0.25 X: ±2" .XXX: ±0.13 .XX: ±1"		NAME: TYPE-C 24P 沉板2.08 L=10.30 CHO.39 SMT+DIP 6脚插	
APPD	JM_Zheng	PJ NO: 126-223-240008-J8G SIZE:A4 DRW NO:	FINISH:SEE NOTES MAT'L:SEE NOTES SCALE:N/A REV: A0 UNIT:mm PAGE: 2/2
CHKD	LYX		
PDWG NO: 0500-1	DR WYY		