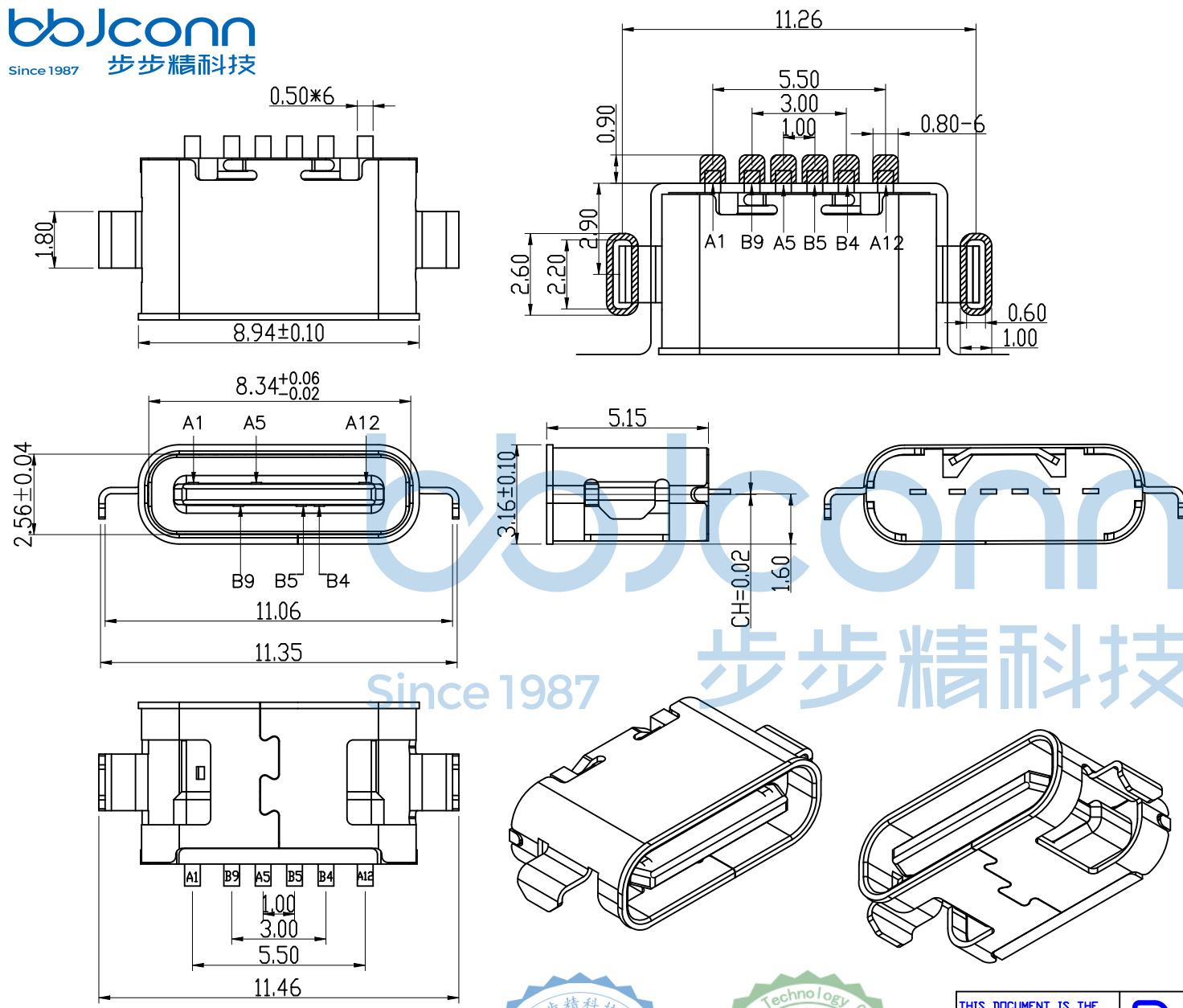


REV.	ECN NO	CONTENT	DATE	ENGINEER
A0		Initial release	/	TSP



NOTE:
备注:
1. MATERIAL SPECIFICATION:
1. 材料规格:
1-1. HOUSING: HIGH TEMPERATURE RESISTANT PLASTIC, UL94 V-0.
1-1. 胶芯材料: 高温塑胶, 防火等级UL94 V-0
1-2. TERMINAL: COPPER ALLOY
1-2. 端子材料: 铜合金
1-3. FRONT SHELL: STAINLESS STEEL
1-3. 外壳材料: 不锈钢
1-4. MID PLATE: STAINLESS STEEL
1-4. 中夹片: 不锈钢
2. PLATING SPECIFICATION:
2. 电镀规格:
2-1. TERMINAL:
2-1. 端子:
Ni 50u" MIN. UNDER PLATED OVER ALL.
镀镍底 50u" MIN.
Au PLATED 0.5"1u" OVER Ni
表面刷金0.5"1u"
2-2. FRONT SHELL:
2-2. 外壳:
Ni 50u" MIN. PLATED OVER ALL.
镀镍底 50u" MIN.
3. MECHANICAL PERFORMANCE,
3. 机械性能,
3-1. INSERTION FORCE: 0.5~2.0kgf.
3-1. 插入力: 0.5~2.0kgf.
3-2. REMOVAL FORCE: 0.6kgf~2.0kgf.
3-2. 拔出力: 0.6kgf~2.0kgf.
3-3. DURABILITY: 10000 CYCLES.
3-3. 插拔寿命: 10000次.
4. ELECTRICAL PERFORMANCE,
4. 电气性能,
4-1. VOLTAGE RATING: 5.0V DC/AC
4-1. 额定电压: 5.0V DC/AC
CURRENT RATING: 2.0A
额定电流: 2.0A
4-2. LLCR: 50mΩ/PIN MAX.
4-2. 接触阻抗: 50mΩ/PIN MAX.
4-3. INSULATION RESISTANCE: 100MΩ MIN
4-3. 绝缘阻抗: 100MΩ MIN
4-4. DIELECTRIC WITHSTAND VOLTAGE, AC 100V FOR 1 MINUTE.
4-4. 耐电压: AC 100V FOR 1 MINUTE.
5. ENVIRONMENTAL PERFORMANCE:
5. 环境特性:
OPERATING TEMPERATURE: -25° C~+85° C.
工作温度: -25° C~+85° C.

PIN ASSIGNMENTS

A1	GND	B9	VBUS
A5	CC1	B5	CC2
A12	GND	B4	VBUS
PIN	SIGNAL NAME	PIN	SIGNAL NAME



THIS DOCUMENT IS THE SOLE PROPERTY OF BBJconn Technology Co., Ltd. AND SHOULD NOT BE USED IN WHOLE OR IN PART WITHOUT PRIOR WRITTEN PERMISSION.

PDWG. NO: 0325-2

APPD. JM_Zheng
CHKD. LYX
DR. TSP

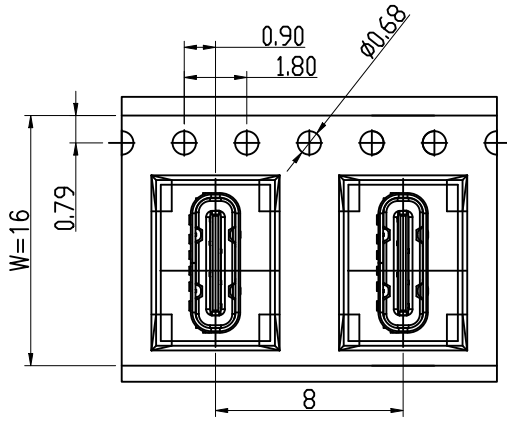
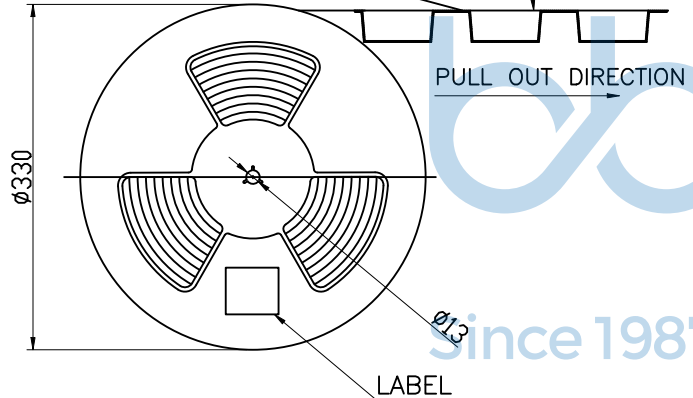
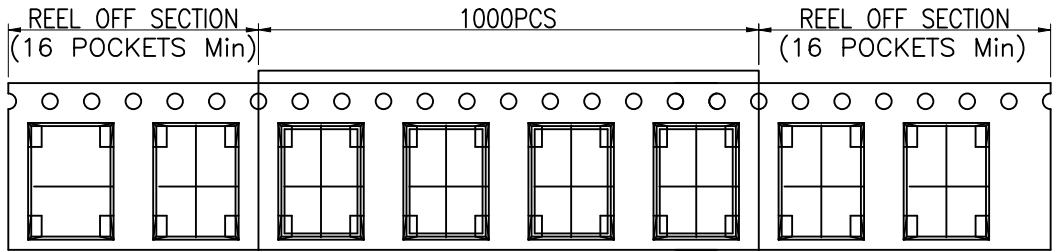
深圳市步步精科技有限公司

NAME: TYPE-C 6P 两脚插 端子SMT 无弹 沉板1.60 L=5.15 CH=0.02 带独立中夹片2.0版本

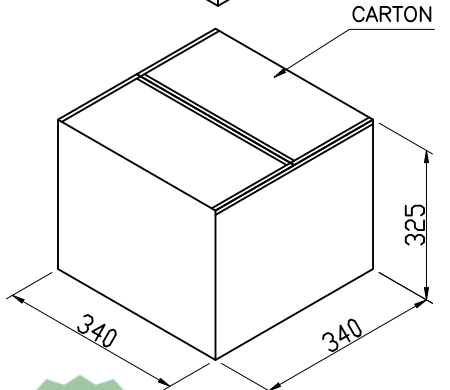
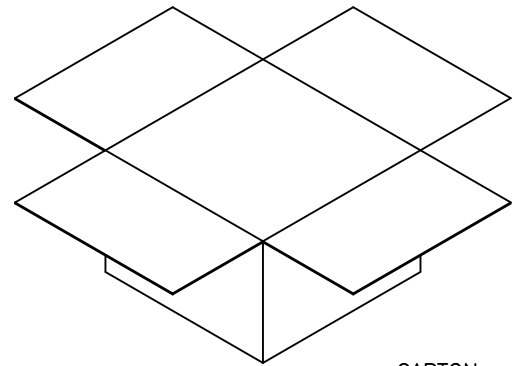
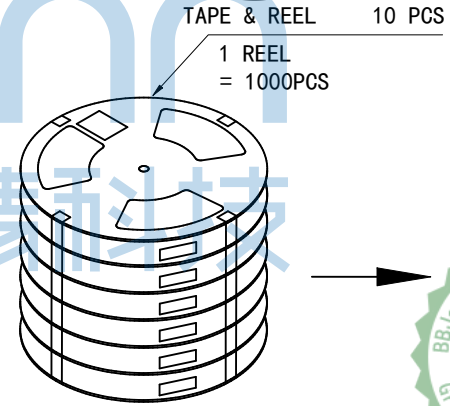
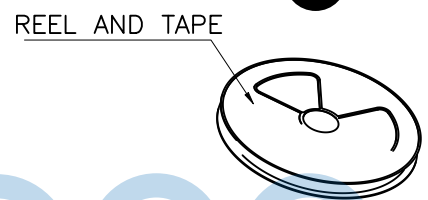
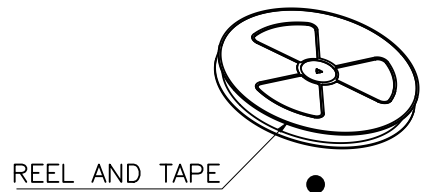
PJ. NO.: 126-221-060009-S8G
SIZE: A4 DRW NO.:

FINISH: SEE NOTES MAT'L.: SEE NOTES
SCALE: N/A REV.: A0 UNIT: mm PAGE: 1/2

REV.	ECN NO	CONTENT	DATE	ENGINEER
A0		Initial release	/	TSP



PULL OUT DIRECTION



	REEL	CARTON
CONNECTOR (PCS)	1000	10000

THIS DOCUMENT IS THE SOLE PROPERTY OF BBJconn Technology Co., Ltd. Corporation AND SHOULD NOT BE USED IN WHOLE OR IN PART WITHOUT PRIOR WRITTEN PERMISSION FROM BBJconn Technology Co., Ltd.

深圳市步步精科技有限公司

NAME: TYPE-C 6P 两脚插 端子SMT 无弹 沉板1.60 L=5.15 CH=0.02 带独立中夹片2.0版本

PJ. NO.: 126-221-060009-S8G
SIZE: A4 DRW NO.:
FINISH: SEE NOTES MAT'L.: SEE NOTES
SCALE: N/A REV.: A0 UNIT: mm PAGE: 1/2

APPD.	JM_Zheng
CHKD.	LYX
DR.	TSP

PDWG. NO: 0325-2