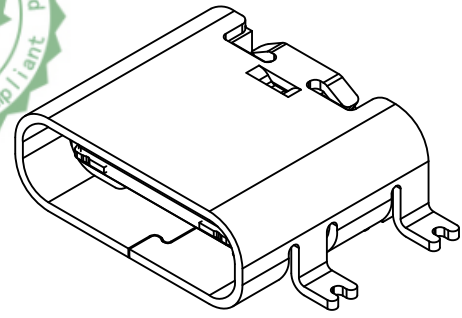
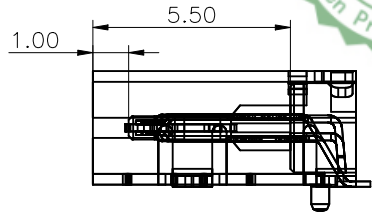
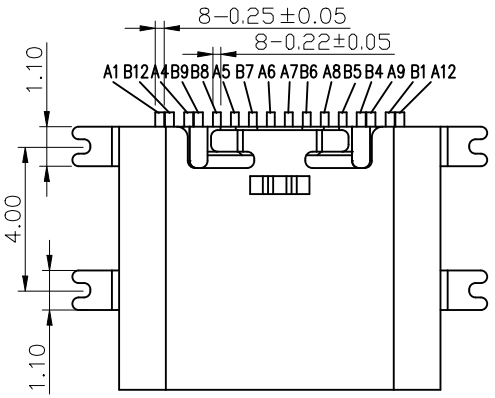
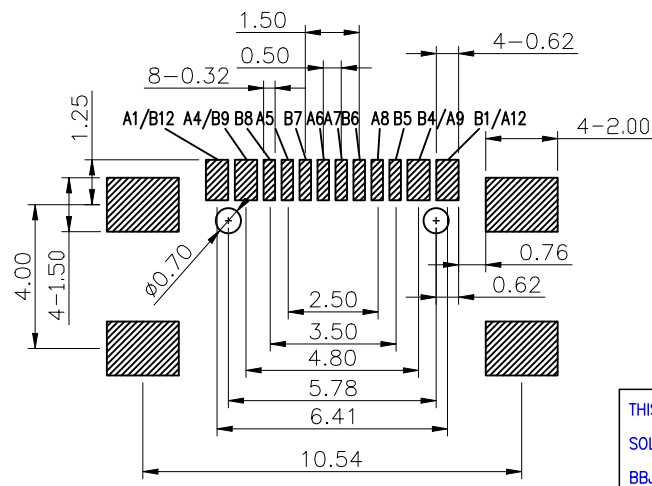
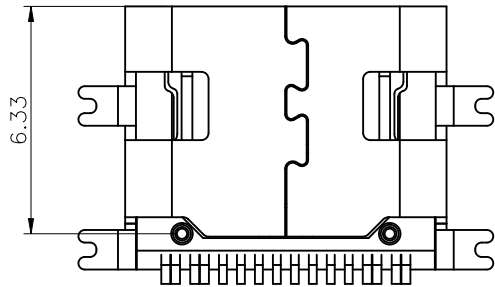
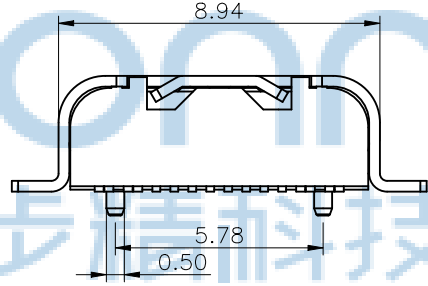
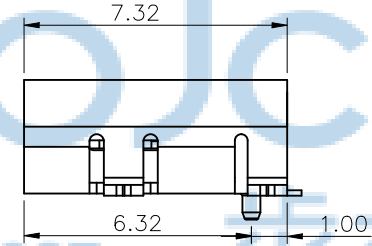
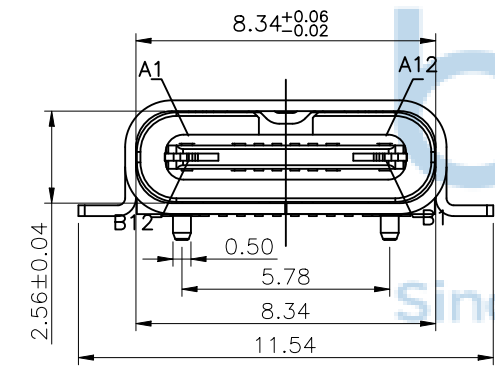




REV	ECN NO	CONTENT	DATE	ENGINEER
AO		INITIAL RELEASE	/	SGF



- 备注:
- 材料规格:
    - 1-1. 胶芯材料: 高温塑胶, 防火等级UL94 V-0
    - 1-2. 端子材料: 铜合金
    - 1-3. 外壳材料: 不锈钢
    - 1-4. 中夹片: 不锈钢
  - 电镀规格:
    - 2-1. 端子: 镀镍底 30u" MIN. 表面刷金 Golden Flash
    - 2-2. 外壳: 镀镍底 30u" MIN.
  - 机械性能,
    - 3-1. 插入力: 0.5~2.0kgf.
    - 3-2. 拔出力: 0.6kgf~2.0kgf.
    - 3-3. 插拔寿命: 10000次.
  - 电气性能,
    - 4-1. 额定电压: 20V DC/AC  
额定电流: 5.0A
    - 4-2. 接触阻抗: 50mΩ MAX.
    - 4-3. 绝缘阻抗: 100MΩ MIN
    - 4-4. 耐电压: AC 100V FOR 1 MINUTE.
  - 环境特性:
    - 工作温度: -25° C~+85° C.



A1	GND	B12	GND
A2		B11	
A3		B10	
A4	VBUS	B9	VBUS
A5	CC1	B8	SBU2
A6	DP1	B7	DN2
A7	DN1	B6	DP2
A8	SBU1	B5	CC2
A9	VBUS	B4	VBUS
A10		B3	
A11		B2	
A12	GND	B1	GND

RECOMMEND P.C.B LAYOUT(COMPONENT SIDE)  
TOLERANCE FOR PCB LAYOUT IS ± 0.05

THIS DOCUMENT IS THE SOLE PROPERTY OF BBJconn Technology Co.,Ltd. Corporation AND SHOULD NOT BE USED IN WHOLE PRIOR WRITTEN PERMISSION.

PDWG NO: 0325-2

深圳市步步精科技有限公司

NAME: TYPE-C 16P 母座 板上四脚贴 带中夹片 带柱 L=7.32 LCP黑胶 编带

PJ NO: 126-221-160001-S8G

SIZE:A4 DRW NO:

FINISH:SEE NOTES MAT'L:SEE NOTES

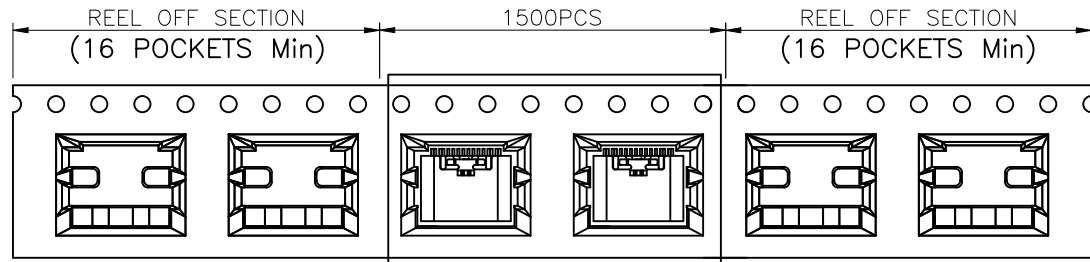
SCALE:N/A REV:AO UNIT:mm PAGE:1/2

APPD: JM\_Zheng

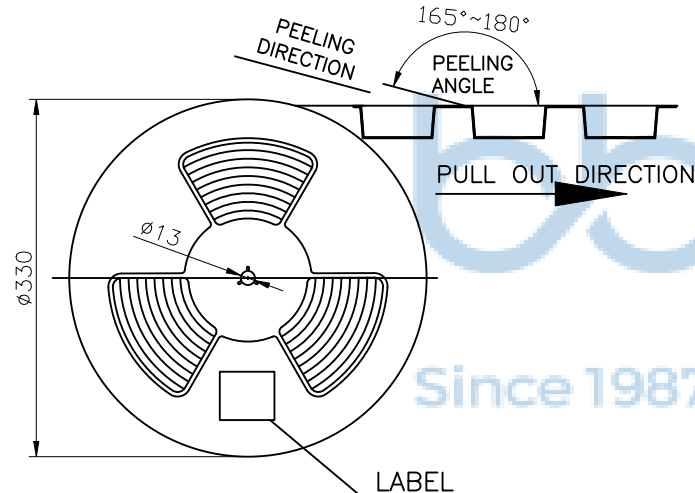
CHKD: LYX

DR: SGF

REV	ECN NO	CONTENT	DATE	ENGINEER
A0		INITIAL RELEASE	/	SGF



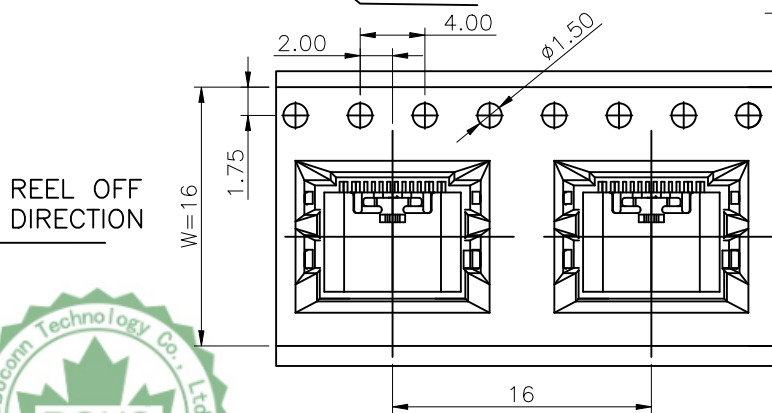
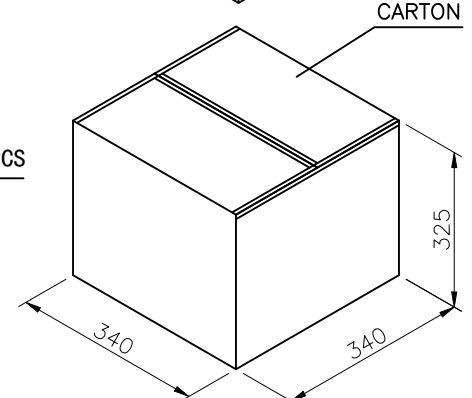
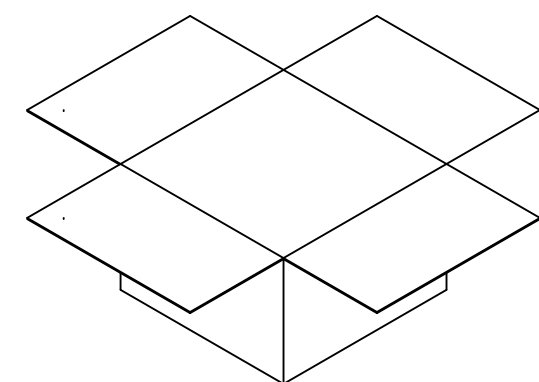
SEE DETAIL X



REEL AND TAPE

REEL AND TAPE

TAPE & REEL 15 PCS  
1 REEL = 1500 PCS



PULL OUT DIRECTION

	REEL	CARTON
CONNECTOR (PCS)	1500	15000



THIS DOCUMENT IS THE SOLE PROPERTY OF BBJconn Technology Co.,Ltd. Corporation AND SHOULD NOT BE USED IN WHOLE PRIOR WRITTEN PERMISSION.  
PDWG NO: 0325-2

APPD	JM_Zheng
CHKD	LYX
DR	SGF

NAME: TYPE-C 16P 母座 板上四脚贴 带中夹片 带柱 L=7.32 LCP黑胶 编带	
PJ NO: 126-221-160001-S8G	DRW NO:
FINISH:SEE NOTES	MAT'L:SEE NOTES
SCALE:N/A	REV:A0
UNIT:mm	PAGE:2/2