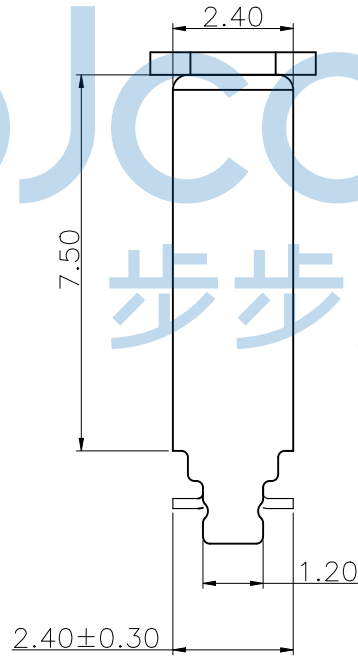
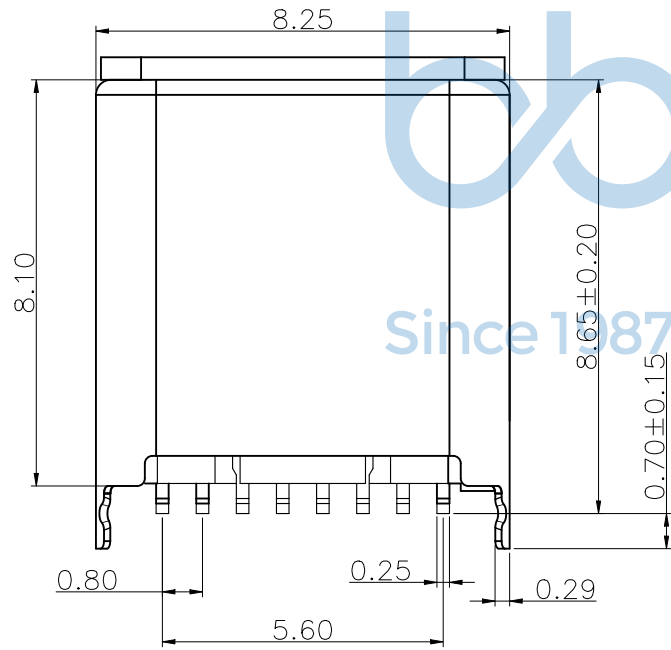


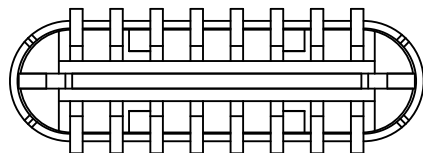
RECOMMENDED P.C.B. LAYOUT
TOLERANCE UNSPECIFIED $\pm 0.05\text{mm}$

REV.	ECN NO	CONTENT	DATE	ENGINEER
A0		Initial release	/	TSP

- ELECTRICAL:
CURRENT:3A
CONTACT RESISTANCE:40 MILLIOHMS MAX
DIELECTRIC WITHSTANDING VOLTAGE: 200V AC
INSULATION RESISTANCE:100 MEGOHMS MIN
- MECHANICAL:
MATING FORCE:5-20N
WITHDRAWAL FORCE:5-20N
DURBILITY:10000 CYCLES
- ENVIRONMENTAL:
TEMPERATURE RANGE $-40^{\circ}\text{C}\sim 105^{\circ}\text{C}$
SALT TESTING:48 HOURS



4	PLASTIC	LCP	BLACK	UL 94V-0
3	Latch	SUS301	—	Ni Plated
2	TERMINAL	C5191-H	—	Gold Plated
1	SHELL	SUS201	—	Ni Plated
NO.	DESCRIPTION	MATERIAL	COLOR	REMARK



THIS DOCUMENT IS THE SOLE PROPERTY OF **BBJconn Technology Co., Ltd.** 深圳市步步精科技有限公司
 CORPORATION AND SHOULD NOT BE USED IN WHOLE OR IN PART WITHOUT PRIOR WRITTEN PERMISSION.
 PDWG.NO: 0046-1

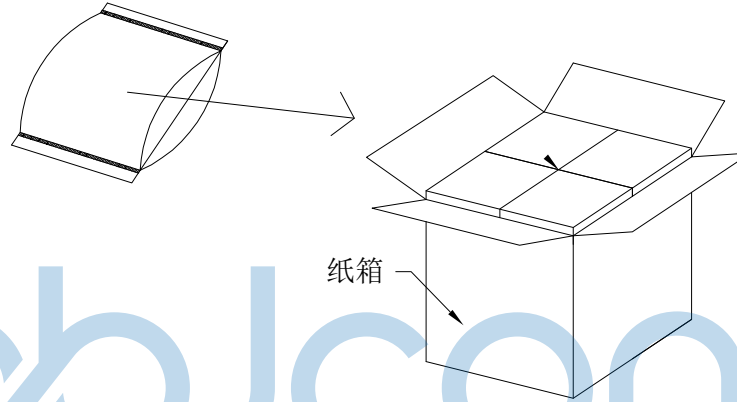
BBJconn 深圳市步步精科技有限公司
 工程 部

NAME: TYPE-C 2.0 公头 16P 立式贴片 短体 H=8.65 SMT 插板0.70 冲压外壳 袋装
 PJ. NO.: UC.02.61-3W-0001
 SIZE: A4 DRW NO.:
 FINISH: SEE NOTES MAT'L.: SEE NOTES
 SCALE: N/A REV.: A0 UNIT: mm PAGE: 1/2

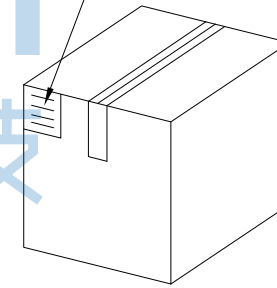
APPD.	JM_Zheng
CHKD.	LYX
DR.	TSP

REV.	ECN NO	CONTENT	DATE	ENGINEER
A0		Initial release	/	TSP

PE袋规格: 260*185



成品标签



1. 包装要求:

- 1.1 每个PE袋包装500pcs;
- 1.2 每1袋放一小纸盒;
- 1.3 每20个小纸盒放一个纸箱, 共计10000pcs;
- 1.4 纸箱外贴上标签



THIS DOCUMENT IS THE SOLE PROPERTY OF BBJconn Technology Co.,Ltd. Corporation AND SHOULD NOT BE USED IN WHOLE OR IN PART WITHOUT PRIOR WRITTEN PERMISSION.		深圳市步步精科技有限公司 .X: ±0.38 .X': ±3" .XX: ±0.25 .X": ±2" .XXX: ±0.13 .XX': ±1"		NAME: TYPE-C 2.0 公头 16P 立式贴片 短体 H=8.65 SMT 插板0.70 冲压外壳 袋装	
APPD.	JM_Zheng	PJ. NO.: UC.02.61-3W-0001		SIZE: A4 DRW NO.:	
CHKD.	LYX	FINISH: SEE NOTES		MAT'L.: SEE NOTES	
PDWG.NO:	0046-1	DR.	TSP	SCALE: N/A	REV.: A0 UNIT: mm PAGE: 2/2