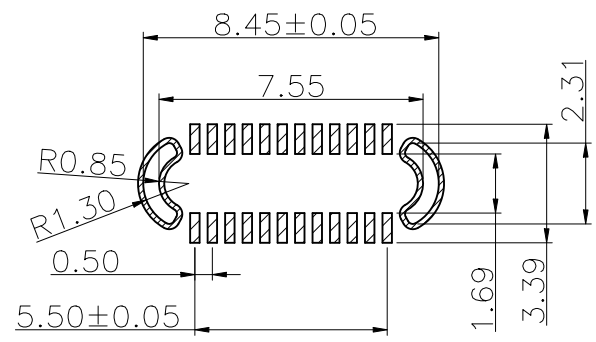
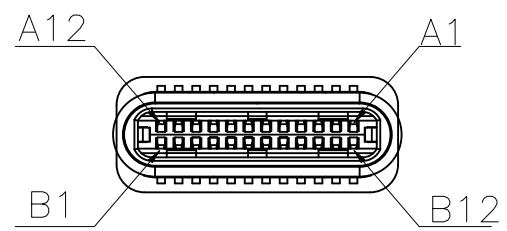


REV.	ECN NO	CONTENT	DATE	ENGINEER
A0				



RECOMMENDED P.C.B. LAYOUT
TOLERANCE UNSPECIFIED ±0.05mm

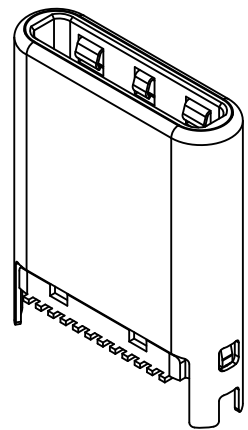
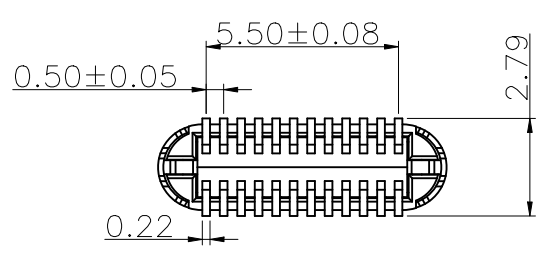
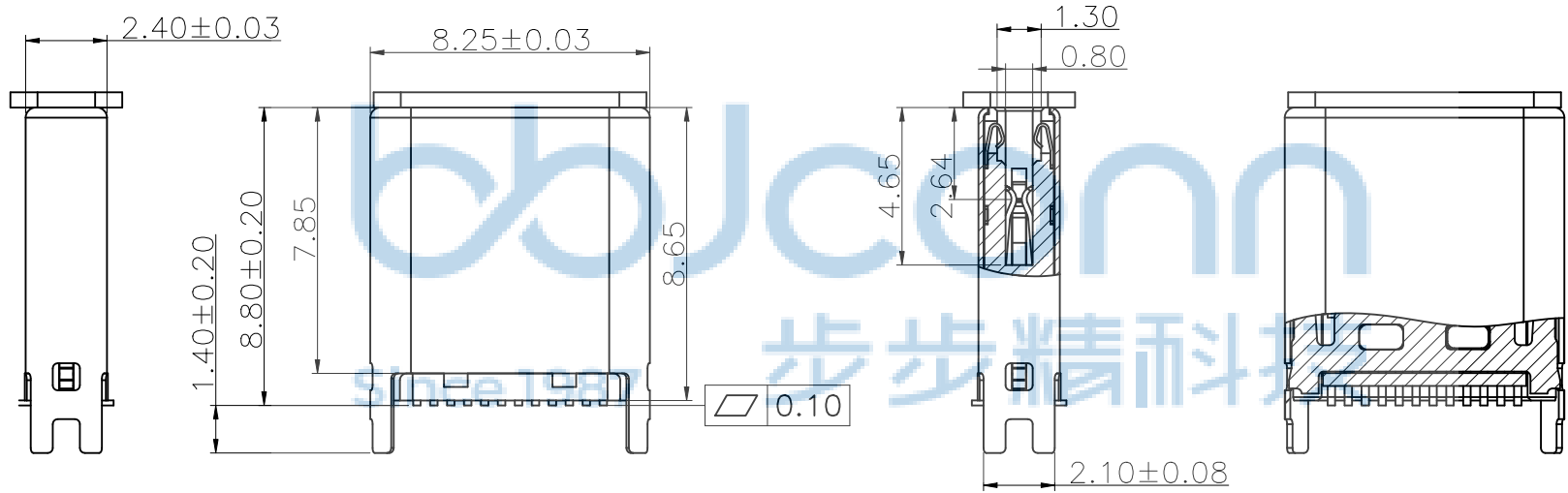


TABLE1:

5	EMC SPRING	Stainless Steel;SUS301,T=0.08mm;
4	CONTACT	Copper Alloy;AuNiSn;
3	LATCH	Stainless Steel;SUS301,T=0.40mm;
2	HOUSING	LCP Thermoplastic,UL94V-0;
1	SHELL	Stainless Steel;SUS316L,T=0.15mm;
NO.	NAME	DESCRIPTION

THIS DOCUMENT IS THE SOLE PROPERTY OF BBJconn Technology Co.,Ltd. Corporation AND SHOULD NOT BE USED IN WHOLE OR IN PART WITHOUT PRIOR WRITTEN PERMISSION. PDWG.NO: 0046-1

深圳市步步精科技有限公司

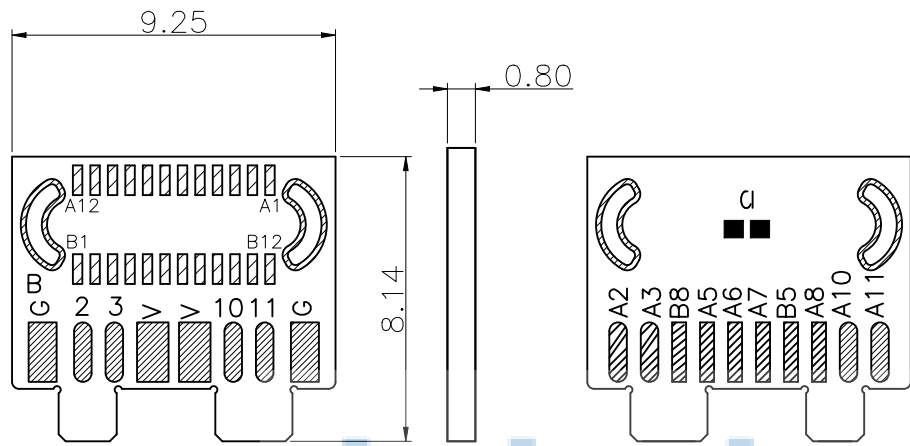
.X: ±0.38 .X': ±3'
.XX: ±0.25 .X'': ±2'
.XXX: ±0.13 .XX': ±1'

NAME:TYPE-C 24P 公头 直立式 两脚插
H=8.65 端子SMT 带EMC (H0019-24-L01-A)

APPD. JM_Zheng
CHKD. LYX
DR. LHC

PJ. NO.: 126-124-240003-G8G
SIZE: A4 DRW NO.:
FINISH: SEE NOTES MAT'L.: SEE NOTES
SCALE: N/A REV.: A0 UNIT: mm PAGE: 2/3

REV.	ECN NO	CONTENT	DATE	ENGINEER
A0				



- NOTES:
- Material:SEE TABLE1;
 - Plating specification,
 - Contact:
Contact area: Ni50u”Min/Au See Table3;
Solder area: Ni50u”Min/Sn100u”Min.
Other area: Ni 50u”Min.
 - Shell:NI.
 - Latch:
Solder area: Ni50u”Min/Sn100u”Min.
Other area: Ni 50u”Min.
 - Mechanical Performance ,
 - Insertion Force:5~20N;
 - Extraction Force:6~20N after 10000 cycles;
 - Durability:10000 cycles.
 - Electrical Performance,
 - Insulation Resistance:100? Min.
 - Contact Resistance :50m? Max.
 - Dielectric Strength :100V AC.
 - characteristic impedance:100 Ohm±10%;
 - Marked”▼” is the important control dimentions.
 - The product accords with HF STD.

PCB LAYOUT

CONTACT CIRCUIT:

CONN PIN	PCB PIN	CONN PIN	PCB PIN
A1,A12,B1, B12,SHELL	GND	A10	A10
A4,A9,B4,B9	V	A11	A11
A2	A2	B2	B2
A3	A3	B3	B3
A5	A5	B5	B5
A6	D+	B8	B8
A7	D-	B10	B10
A8	A8	B11	B11

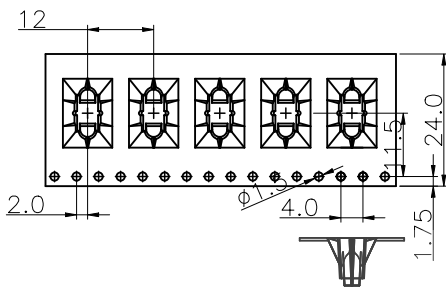
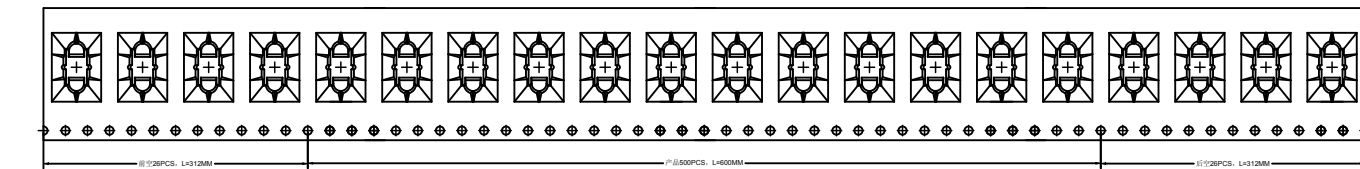
TABLE2:
PINS DESCRIPTION,ONLY USED FOR 3.1 SERIES.

A12	A11	A10	A9	A8	A7	A6	A5	A4	A3	A2	A1
GND	RX2+	RX2-	VBUS	SBU1	D-	D+	CC	VBUS	TX1-	TX1+	GND
GND	TX2+	TX2-	VBUS	Vconn			SBU2	VBUS	RX1-	RX1+	GND
B1	B2	B3	B4	B5	B6	B7	B8	B9	B10	B11	B12

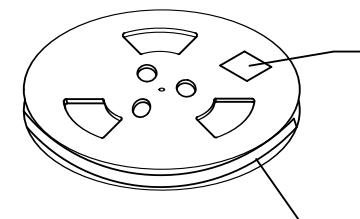


TABLE3:

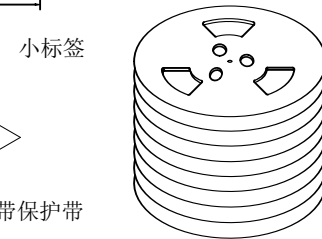
2	
1	PLUG; 外殼鍍鎳; 特殊銅Au1u”MIN; LCP 黑色;
NO.	DESCRIPTION
THIS DOCUMENT IS THE SOLE PROPERTY OF BBJconn Technology Co.,Ltd. Corporation AND SHOULD NOT BE USED IN WHOLE OR IN PART WITHOUT PRIOR WRITTEN PERMISSION.	
深圳市步步精科技有限公司	
NAME:TYPE-C 24P 公头 直立式 两脚插 H=8.65 端子SMT 带EMC (H0019-24-L01-A)	
APPD. JM_Zheng PJ. NO.: 126-124-240003-G8G	
CHKD. LYX SIZE: A4 DRW NO.:	
PDWG.NO: 0046-1 DR. LHC FINISH: SEE NOTES MAT'L.: SEE NOTES	
SCALE: N/A REV.: A0 UNIT: mm PAGE: 2/3	



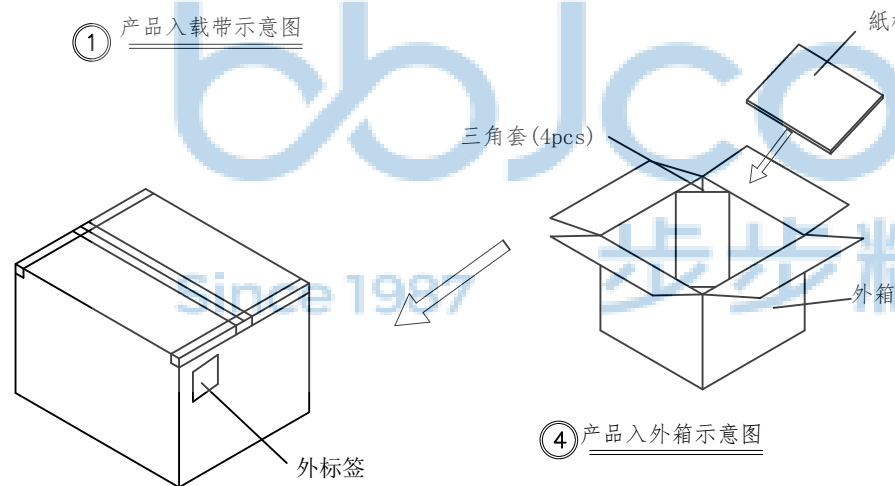
① 产品入载带示意图



② 卷盘贴标签示意图



③ 10盘产品叠层示意图



④ 产品入外箱示意图

⑤ 外箱封箱示意图

1	卷盘	PS	φ330MM*W28.5MM	10
2	天地板	K3K		2
3	外标签			1
4	三角柱	K=K		4
5	外箱	A=A	L345mm*W345mm*315mm	1
6	防水袋	PS		1
7	干燥剂			1
ITEM	DESC.	MATERIAL	REMARKS	QTY

NOTE:

- QUANTITY/REEL: 500 PCS
數量/卷: 500 PCS
QUANTITY/INNER CARTON: 500 X 10 = 5000 PCS
數量/箱: 500X 10 = 5000 PCS
- FREE 14 CAVE IN THE FRONT CARRIER AND FREE 14 CAVE IN THE END CARRIER.
包裝帶內圈空26格, 外圈空26格。



THIS DOCUMENT IS THE SOLE PROPERTY OF BBJconn Technology Co., Ltd. Corporation AND SHOULD NOT BE USED IN WHOLE OR IN PART WITHOUT PRIOR WRITTEN PERMISSION.

PDWG.NO: 0046-1

DR. LHC

APPD. JM_Zheng

CHKD. LYX

NAME: TYPE-C 24P 公头 直立式 两脚插
H=8.65 端子SMT 带EMC (H0019-24-L01-A)

PJ. NO.: 126-124-240003-G8G

SIZE: A4 | DRW NO.:

FINISH: SEE NOTES | MAT'L.: SEE NOTES

SCALE: N/A | REV.: A0 | UNIT: mm | PAGE: 3/3

深圳市步步精科技有限公司