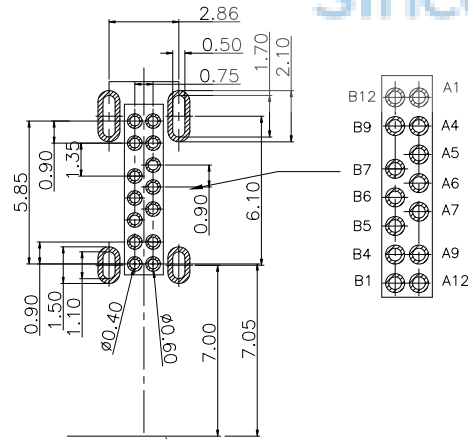
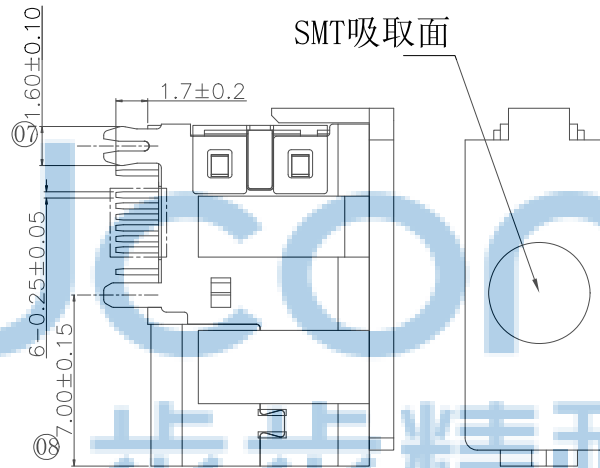
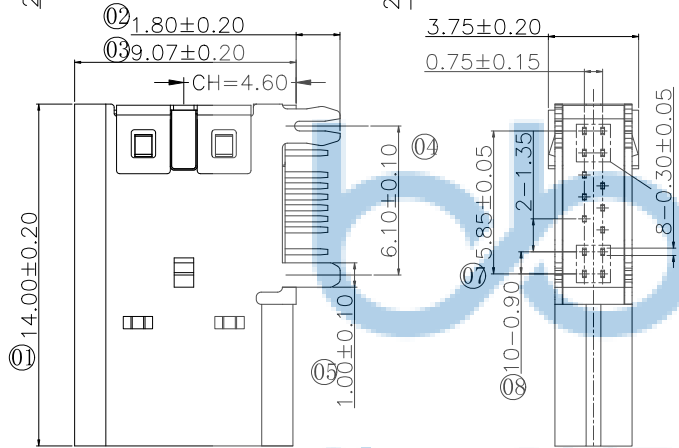
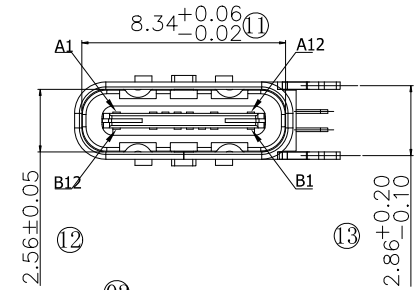


REV.	ECN NO.	CONTENT	DATE	ENGINEER
A0			2023 20/04	



特性:

- 一、电气性能: ELECTRICAL
 - 1. 额定电流: 3.0A MAX
 - 2. 接触阻抗: 30 MILLIOHMS MAX
 - 3. 耐电压: 150V AC / 1 mA MAX
 - 4. 绝缘阻抗: 150V DC/100 MEGA OHMS MIN
- 二、机械性能:
 - 1. 插入力: 5-20N
 - 2. 拨出力: 8-20N
 - 3. 使用寿命: 10000次
- 三、材料: MATERIAL
- 四、电镀: FINISH
 - 1. 端子: 接触点镀金1u"
PIN脚焊接区域刷金.
 - 2. 外壳: 镀镍40u"MIN (盐雾24H)
- 五、电镀品需做粘锡测试: 粘锡面积达到95%以上.
- 六、SMT回流焊 (峰值260° C±5° C) 不能起泡、熔胶、变色不良 (变形在公差范围以内)
- 七、工作温度: -55° C~+85° C
- 八、盐雾测试: 通过24H在浓度为5±1%盐水的盐雾测试无生锈现象;
- 九、管制重点尺寸.



Since 1987 步步精科技



BOM			
序号	名称	用量	品名规格
1	外壳	1	Typec侧插 外壳 SUS201 T=0.3mm Ni 40u" min
2	后盖	1	Typec侧插 后盖 SUS201 T=0.2mm Ni 40u" min
3	Molding	1	Typec侧插 不垫高 Molding DIP 14PIN C2680 Au 1u"; SUS301 T=0.15 LCP黑色

RECOMMENDED P.C.B. LAYOUT
TOLERANCE UNSPECIFIED ±0.05mm

A1	A2	A3	A4	A5	A6	A7	A8	A9	A10	A11	A12
GND			VBUS	CC1	D+	D-		VBUS			GND
GND			VBUS		D-	D+	CC2	VBUS			GND
B12	B11	B10	B9	B8	B7	B6	B5	B4	B3	B2	B1

THIS DOCUMENT IS THE SOLE PROPERTY OF BBJconn Technology Co.,Ltd Corporation AND SHOULD NOT BE USED IN WHOLE OR IN PART WITHOUT PRIOR WRITTEN PERMISSION.

PDWG.NO: 0454-1

深圳市步步精科技有限公司

.X: ±0.38 X': ±3"
.XX: ±0.25 .X': ±2"
.XXX: ±0.13 .X': ±1"

NAME: TYPE-C 14P 母座 侧插 L=14.00 CH=4.60 端子脚长1.7 DIP 不垫高 加塞 编带

APPD. JM_Zheng 23/05'02

CHKD. TSP 23/05'02

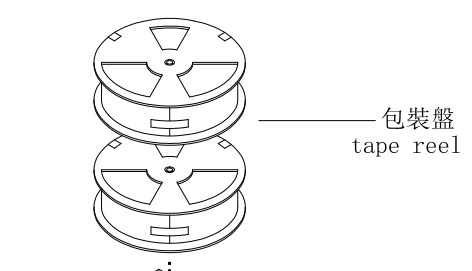
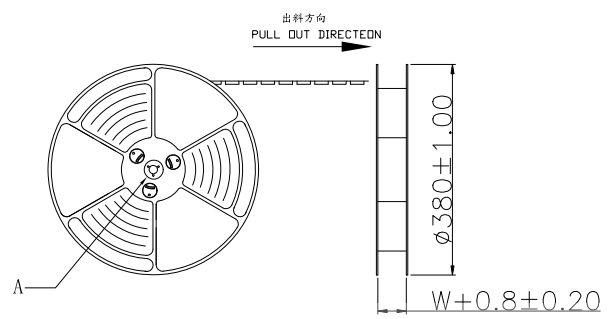
DR. LYX 23/05'02

PJ. NO.:
SIZE: A4 DRW NO.:

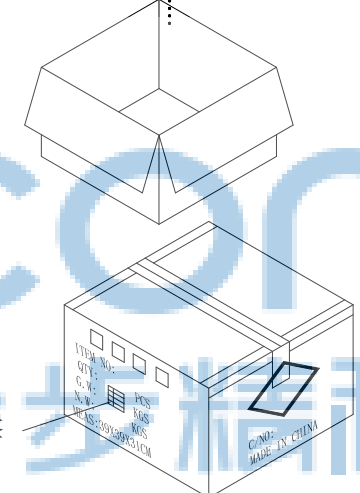
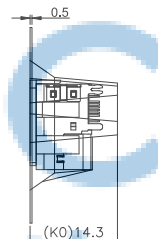
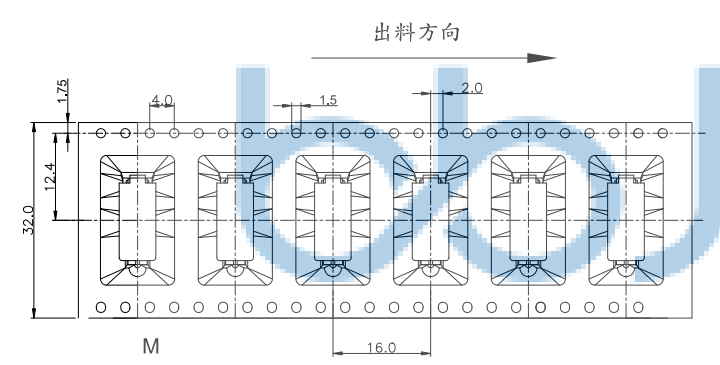
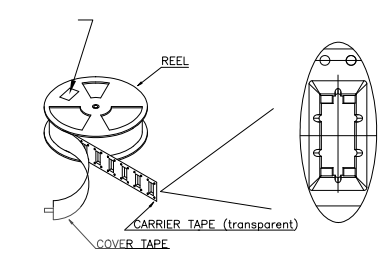
FINISH: SEE NOTES MAT'L.: SEE NOTES

SCALE: N/A REV.: A3 UNIT: mm PAGE: 1/1

REV.	ECN NO.	CONTENT	DATE	ENGINEER
A0			2023 20/04	

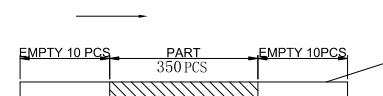


at small positioning hole of the carrier tape side.
标签黏贴处 (朝捲裝包材的小定位孔一側)
Location of label sticking (label)

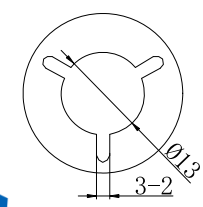
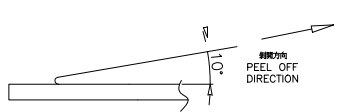


NOTE:
1. 每捲包裝數量及每箱裝箱數量如左下表格。
Packing q'ty of each reel & carton as below table shown.
2. 將裝滿產品的卷盤放入紙箱并以膠帶封口
Put reels in the carton and use adhesive tape to seal up.

NOTES
1. 帶子引導長度
LEAD TAPE LENGTH
出料方向
PULL OUT DIRECTEON



2. 上帶 帶力為: 0.1~1.3N(10.2gf~130gf)
PEELING OFF FORCE OF TOP TAPE: 0.1~1.3N(10.2gf~130gf)
出貨`運輸過程中一定注意:
THIS REQUIREMENT SHOULD BE APPLIED AT SHIPMENT;
卷帶在運輸過程中不能散開
PEELING OFF SHOULD NOT BE ALLOWED DURING TRANSPORTATION



DETAIL: A
10:1



卷帶	規格: Ø380mm	包裝數量: 350PCS
紙箱	規格: 390mmX390mmX310mm	包裝數量: 10盤(3500PCS)

THIS DOCUMENT IS THE SOLE PROPERTY OF BBJconn Technology Co.,Ltd Corporation AND SHOULD NOT BE USED IN WHOLE OR IN PART WITHOUT PRIOR WRITTEN PERMISSION.

PDWG.NO: **0454-1**

DR. LYX 23/05/02

APPD. JM_Zheng 23/05/02

CHKD. TSP 23/05/02

NAME: TYPE-C 14P 母座 側插 L=14.00 CH=4.60 端子脚长1.7 DIP 不垫高 加塞 编带

PJ. NO.:
SIZE: A4 | DRW NO.:

FINISH: SEE NOTES | MAT'L.: SEE NOTES

SCALE: N/A | REV.: A3 | UNIT: mm | PAGE: 1/1

深圳市步步精科技有限公司