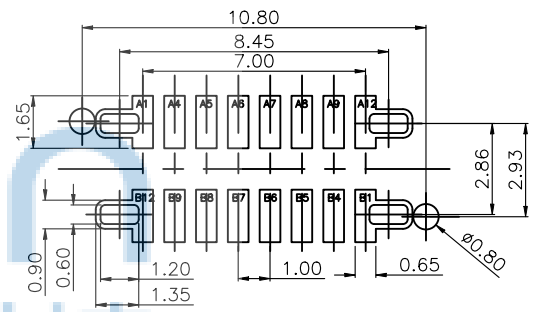
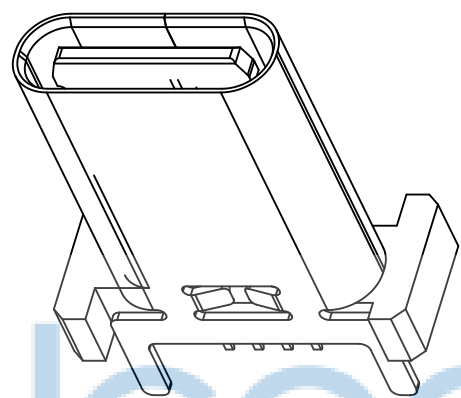
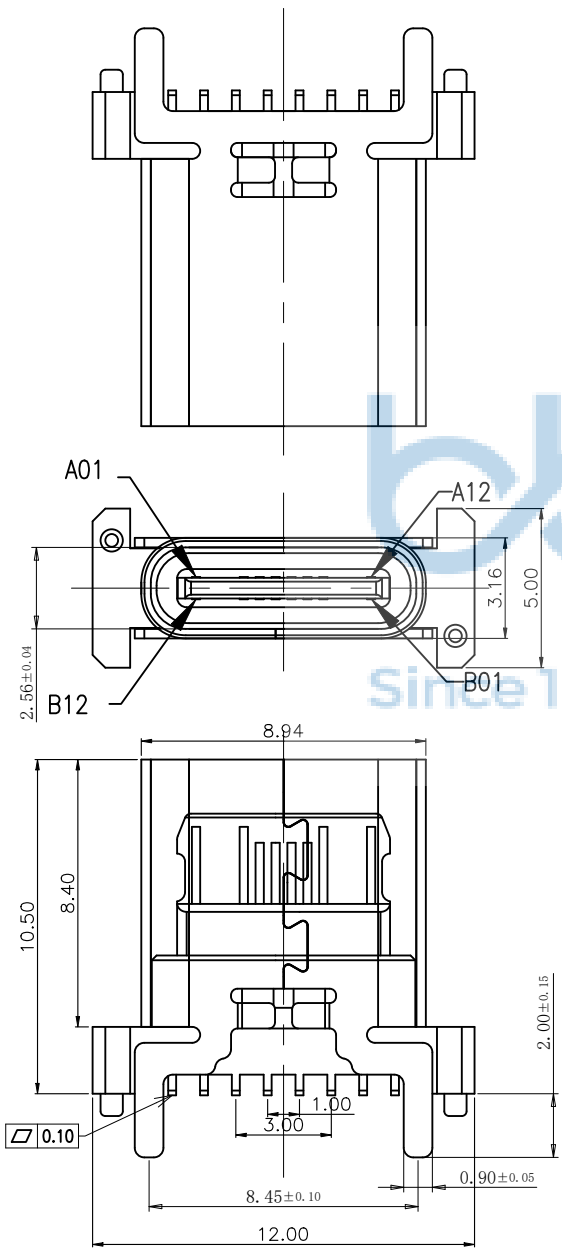


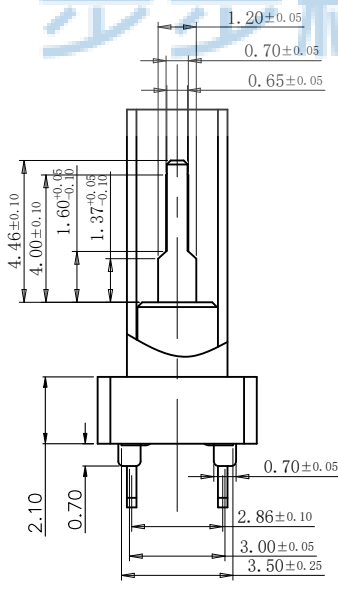
REV.	ECN NO.	CONTENT	DATE	ENGINEER
A0		Initial release	/	SGF



- SPECIFICATIONS:
- ELECTRICAL CHARACTERISTICS:
    - CONTACT RESISTANCE: 30mΩMAX.
    - DIELECTRIC WITHSTANDING VOLTAGE: 100V AC FOR ONE MINUTE.
    - INSULATION RESISTANCE: 100MΩMIN. MEASURED BY 500 VDC
  - MECHANICAL CHARACTERISTICS:
    - INSERTION FORCE :0.5-2.0Kgf(REF.)
    - WITHDRAWAL FORCE :0.8-2.0Kgf(REF.)
  - LIFE TEST: 10,000 CYCLES.



RECOMMENDED P.C.B. LAYOUT (T:1.00mm)  
TOLERANCE UNSPECIFIED ±0.05mm



A1	GND	B12	GND
A4	VBUS	B9	VBUS
A5	CC1	B8	SB2
A6	DP1	B7	DN2
A7	DN1	B6	DP2
A8	SB1	B5	CC2
A9	VBUS	B4	VBUS
A12	GND	B1	GND
PIN	SIGNAL NAME	PIN	SIGNAL NAME

THIS DOCUMENT IS THE SOLE PROPERTY OF BBJconn Technology Co.,Ltd. Corporation AND SHOULD NOT BE USED IN WHOLE OR IN PART WITHOUT PRIOR WRITTEN PERMISSION.

PDWG.NO: 0545-1

深圳市步步精科技有限公司

NAME: TYPE-C 16P 母座 直立式 四脚插 带柱 H=10.5 端子SMT 磷铜端子镀金1u 编带

PJ. NO.: 126-224-160004-N7G

SIZE: A4 DRW NO.:

FINISH: SEE NOTES MAT'L: SEE NOTES

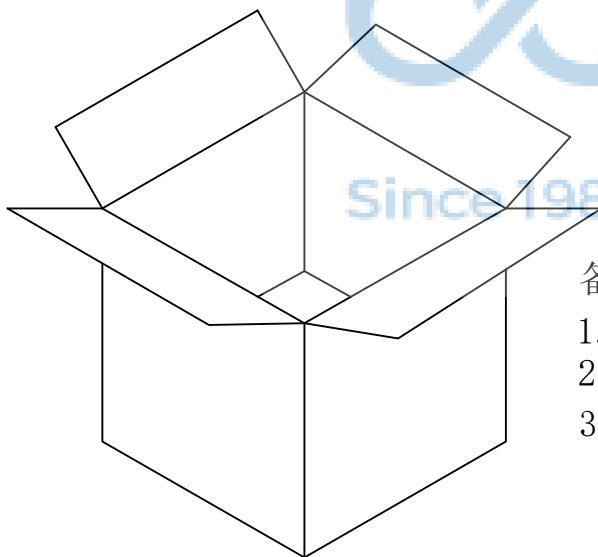
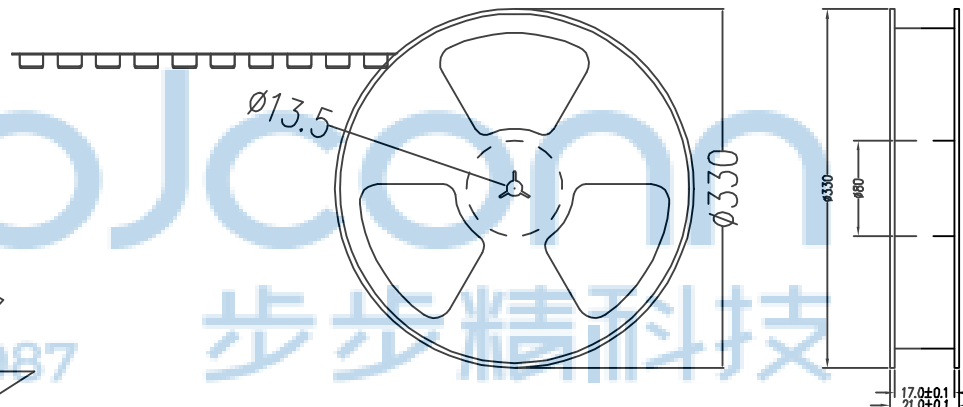
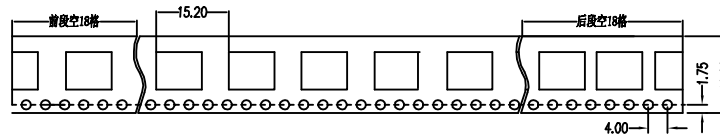
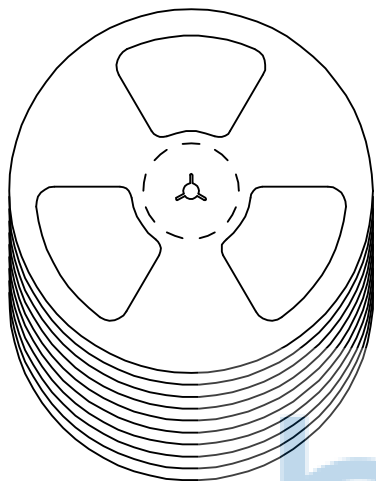
SCALE: N/A REV.: A0 UNIT: mm PAGE: 1/2

APPD.: JM\_Zheng

CHKD.: LYX

DR.: SGF

.X: ±0.38 X': ±3'  
.XX: ±0.25 .X': ±2'  
.XXX: ±0.13 .XX': ±1'



备注:

1. 包装数量: 500/PCS/卷, 10卷/箱。
2. 包装袋长度: 每卷前后各空10-20个空格, 中间包装。
3. 材质:  
 载体: 聚丙烯 (PS), 阻抗 $10^{6-9} \Omega$   
 上带: 聚乙烯 (PET), 阻抗 $10^{6-11} \Omega$   
 卷盘: 聚苯乙烯。

纸箱规格: 345\*345\*23MM

纸箱规格: 345\*345\*35MM

THIS DOCUMENT IS THE SOLE PROPERTY OF BBJconn Technology Co.,Ltd. Corporation AND SHOULD NOT BE USED IN WHOLE OR IN PART WITHOUT PRIOR WRITTEN PERMISSION.		深圳市步步精科技有限公司	
.X: ±0.38    .XX: ±0.25    .XXX: ±0.13 X': ±3'    X'': ±2'    XX': ±1'		NAME: TYPE-C 16P 母座 直立式 四脚插 带柱 H=10.5 端子SMT 磷铜端子镀金1u 编带	
APPD.	JM_Zheng	PJ. NO.: 126-224-160004-N7G	
CHKD.	LYX	SIZE: A4   DRW NO.:	
DR.	SGF	FINISH: SEE NOTES   MAT'L: SEE NOTES	
PDWG,NO:	0545-1	SCALE: N/A   REV.: A0   UNIT: mm   PAGE: 2/2	