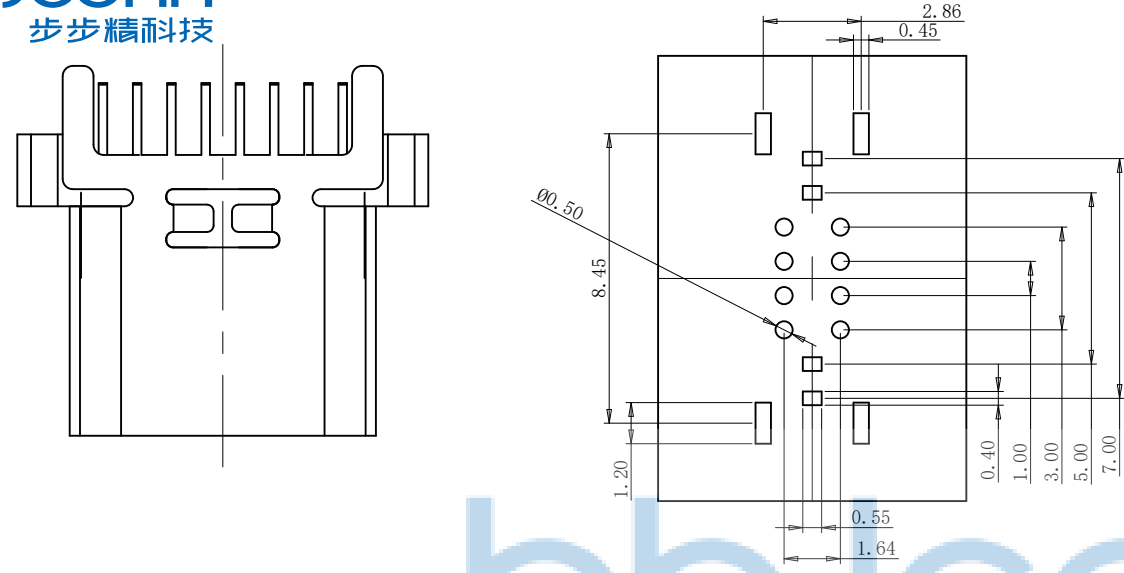
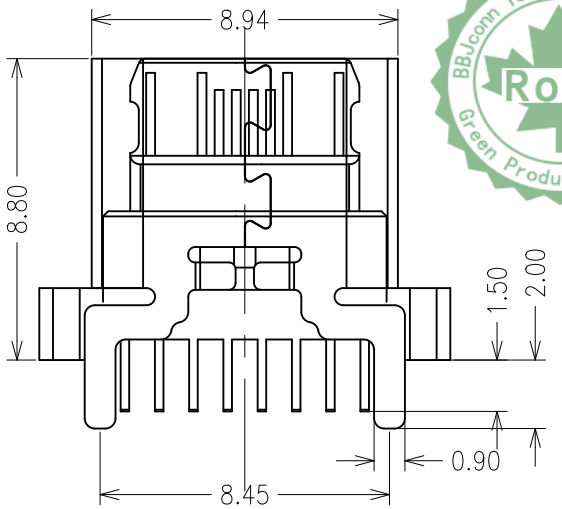
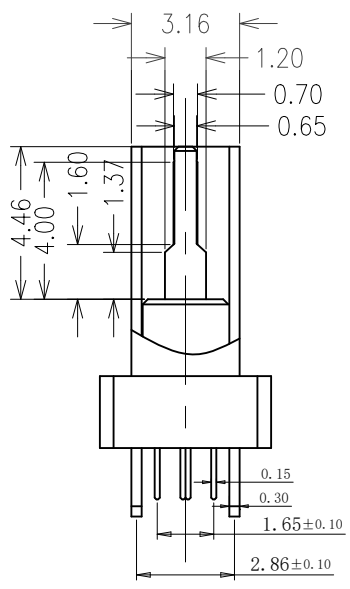
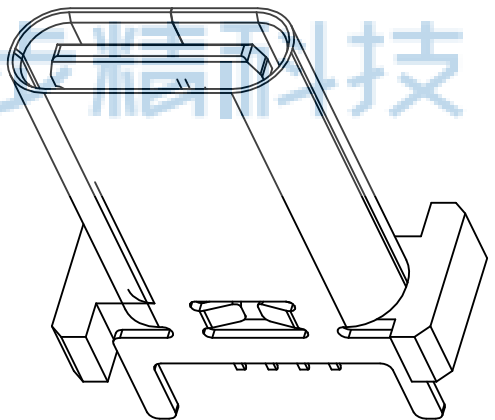
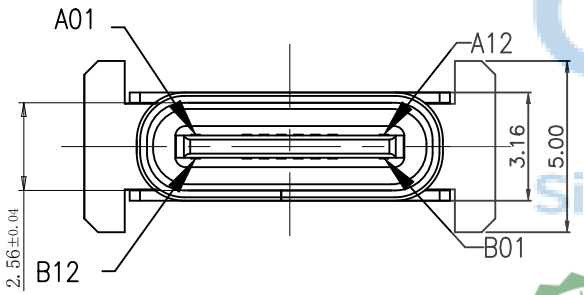
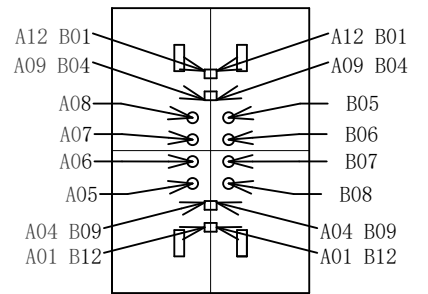


| REV. | ECN NO | CONTENT | DATE | ENGINEER |
|------|--------|-----------------|------|----------|
| A0 | | Initial release | / | ZY |



- SPECIFICATIONS:
- ELECTRICAL CHARACTERISTICS:
 - CONTACT RESISTANCE: 30mΩ MAX.
 - DIELECTRIC WITHSTANDING VOLTAGE: 100V AC FOR ONE MINUTE.
 - INSULATION RESISTANCE: 100MΩ MIN. MEASURED BY 500 VDC
 - MECHANICAL CHARACTERISTICS:
 - INSERTION FORCE :0.5-2.0Kgf (REF.)
 - WITHDRAWAL FORCE :0.8-2.0Kgf (REF.)
 - LIFE TEST: 10,000 CYCLES.

RECOMMENDED P.C.B. LAYOUT (T:1.00mm)
TOLERANCE UNSPECIFIED ±0.05mm



| | | | |
|-----|-------------|-----|-------------|
| A1 | GND | B12 | GND |
| A4 | VBUS | B9 | VBUS |
| A5 | CC1 | B8 | SBU2 |
| A6 | DP1 | B7 | DN2 |
| A7 | DN1 | B6 | DP2 |
| A8 | SBU1 | B5 | CC2 |
| A9 | VBUS | B4 | VBUS |
| A12 | GND | B1 | GND |
| PIN | SIGNAL NAME | PIN | SIGNAL NAME |

THIS DOCUMENT IS THE SOLE PROPERTY OF BBJconn Technology Co.,Ltd. Corporation AND SHOULD NOT BE USED IN WHOLE OR IN PART WITHOUT PRIOR WRITTEN PERMISSION. PDWG.NO: 0545-1

深圳市步步精科技有限公司

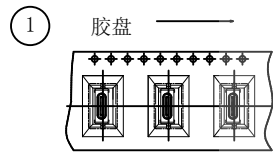
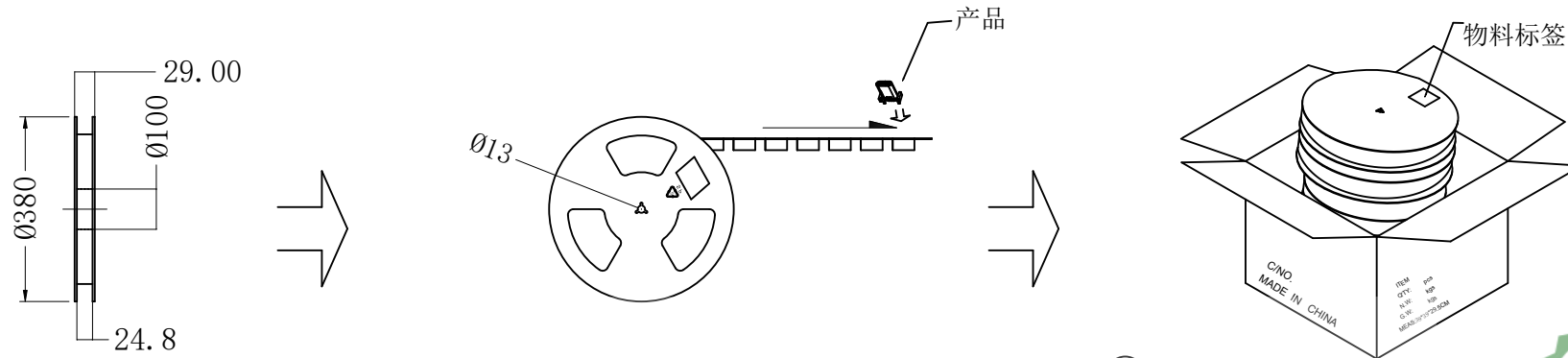
NAME: TYPE-C 16P 母座
直立式 DIP 四脚插 H=8.80 编带

PJ. NO.: 126-225-160005-N7G
SIZE: A4 DRW NO.:

FINISH: SEE NOTES MAT'L: SEE NOTES
SCALE: N/A REV.: A0 UNIT: mm PAGE: 1/2

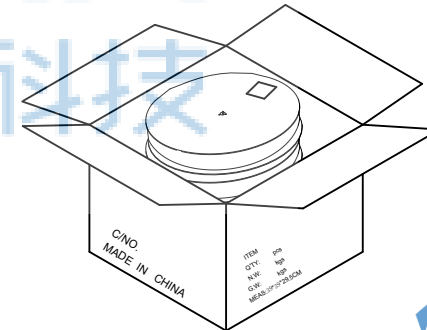
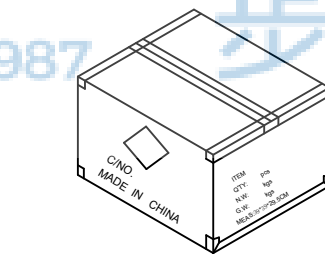
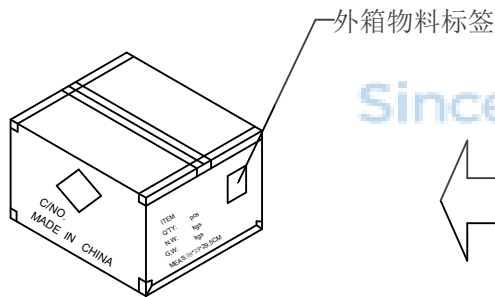
APPD. JM_Zheng
CHKD. LYX
DR. ZY

| REV. | ECN NO | CONTENT | DATE | ENGINEER |
|------|--------|-----------------|------|----------|
| A0 | | Initial release | / | ZY |



② 500pcs/盘

③ 10盘/箱 (5Kpcs)



备注:

- 胶盘规格: 外圆*内圆*厚: 38.0*13*26mm
- 每箱装10盘 (5Kpcs);
- 外箱尺寸:长*宽*高:39*39*31.0cm
材质:A=B;
- 外箱用透明胶纸带封“工”字型;
- 依外箱图示位置粘贴好产品或ROHS标签。

| | | | | | |
|---|----------|---|--|---|--|
| THIS DOCUMENT IS THE SOLE PROPERTY OF BBJconn Technology Co., Ltd. Corporation AND SHOULD NOT BE USED IN WHOLE OR IN PART WITHOUT PRIOR WRITTEN PERMISSION. PDWG.NO: 0545-1 | | 深圳市步步精科技有限公司 .X: ±0.38 X': ±3' .XX: ±0.25 X'': ±2' .XXX: ±0.13 .XX': ±1' | | NAME: TYPE-C 16P 母座 直立式 DIP 四脚插 H=8.80 编带 P.J. NO.: 126-225-160005-N7G SIZE: A4 DRW NO.: FINISH: SEE NOTES MAT'L: SEE NOTES SCALE: N/A REV.: A0 UNIT: mm PAGE: 2/2 | |
| APPD. | JM_Zheng | | | | |
| CHKD. | LYX | | | | |
| DR. | ZY | | | | |