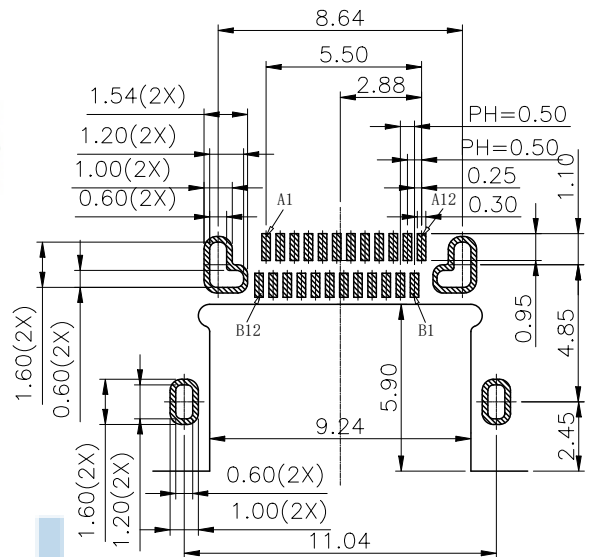
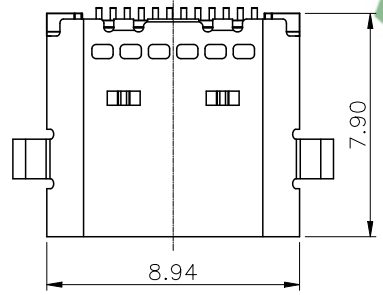


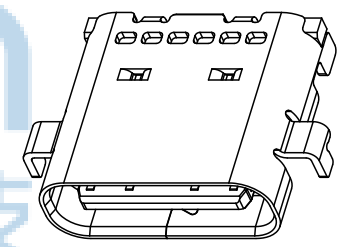
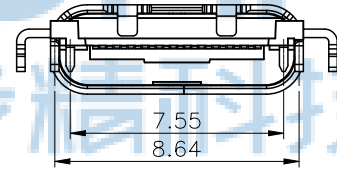
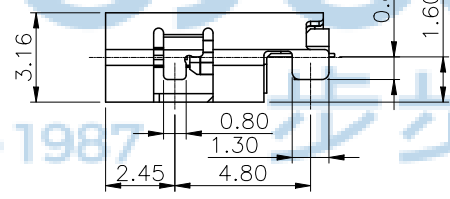
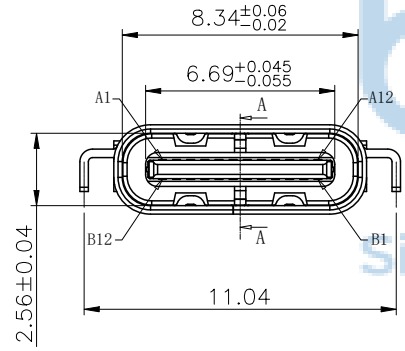


REV	ECN NO	CONTENT	DATE	ENGINEER
A0		INITIAL RELEASE	/	SGF

- NOTE:
- Contact Resistance: 40mOHM Max.;
 - Dielectric Withstanding Voltage: 100V AC For 1 Minute;
 - Insulation Resistance: 100M OHM Min.;
 - Current Rating: 5 AMPS. For Total VBUS/GND PINS;
 - Mating And Unmating Force:
Mating Force: 5~20N
Unmating Force: 8~20N;
6~20N AFTER TEST;
 - Durability: 10000 Cycles;

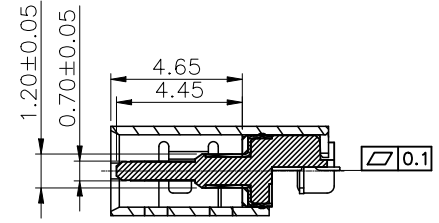
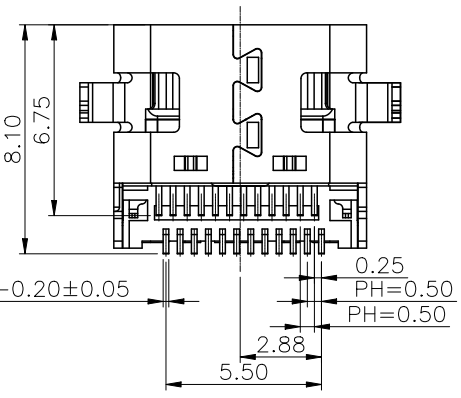


RECOMMEND P.C.B LAYOUT (COMPONENT SIDE)
TOLERANCE FOR PCB LAYOUT IS ±0.05



USB TYPE-C PIN ASSIGNMENTS

PIN NUMBER	SIGNAL NAME	PIN NUMBER	SIGNAL NAME
A1	GND	B12	GND
A2	SSTxp1	B11	SSRXp1
A3	SSTXn1	B10	SSRXn1
A4	VBUS	B9	VBUS
A5	CC1	B8	SBU2
A6	Dp1	B7	Dn2
A7	Dn1	B6	Dp2
A8	SBU1	B5	CC2
A9	VBUS	B4	VBUS
A10	SSRXn2	B3	SSTXn2
A11	SSRXp2	B2	SSTxp2
A12	GND	B1	GND



Item	Title	Material	Dispose	Q'TY
1	Shell	SUS304	Ni:30u" Min.	1PCS
2	Mid Plate	SUS301		1PCS
3	EMI Plate	SUS304		2PCS
4	Contact	C7025	Mating Area: Au 3u"min and Ni 50u"min	2PCS
5	InsertMolding	LCP	UL 94V-0 Black	1PCS



THIS DOCUMENT IS THE SOLE PROPERTY OF BBJconn Technology Co., Ltd. Corporation AND SHOULD NOT BE USED IN WHOLE PRIOR WRITTEN PERMISSION.

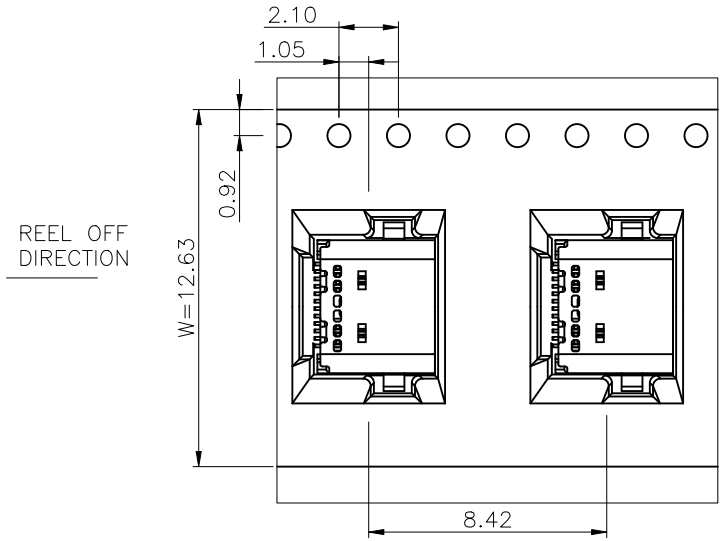
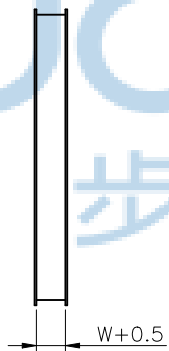
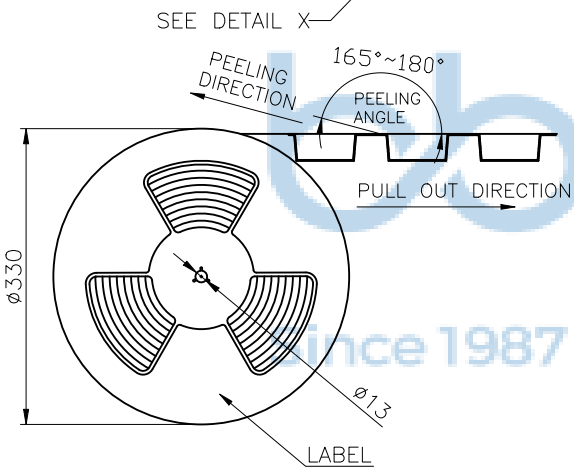
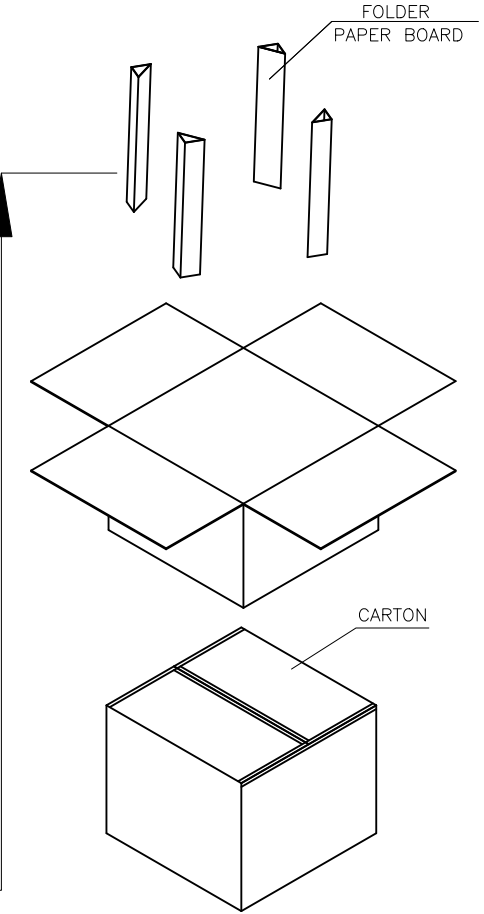
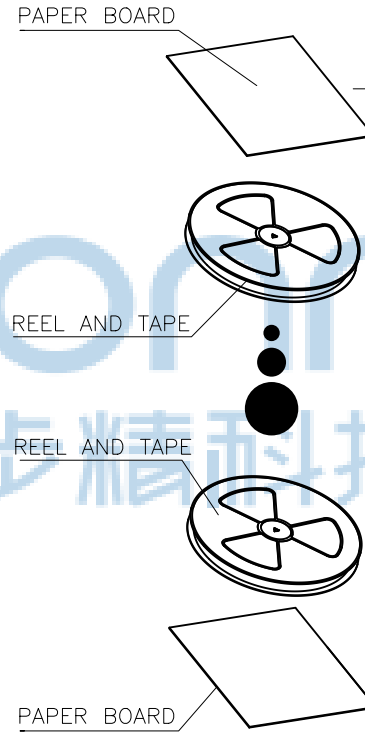
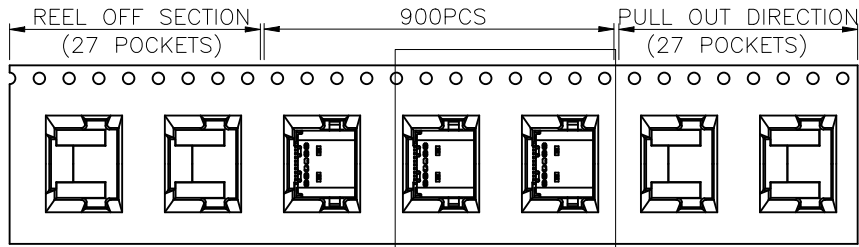
PDWG NO: 0900-1

APPD: JM_Zheng
CHKD: LYX
DR: SGF

NAME: TYPE-C 24P 母座 四脚插 沉板1.6 端子双排SMT L=7.90 LCP黑 镀金3U 编带

PJ NO: 126-221-240012-J8G
SIZE:A4 | DRW NO:
FINISH:SEE NOTES | MAT'L:SEE NOTES
SCALE:N/A | REV:A0 | UNIT:mm | PAGE:1/2

REV	ECN NO	CONTENT	DATE	ENGINEER
A0		INITIAL RELEASE	/	SGF



	REEL	CARTON
CONNECTOR (PCS)	900	9000



THIS DOCUMENT IS THE SOLE PROPERTY OF BBJconn Technology Co.,Ltd. Corporation AND SHOULD NOT BE USED IN WHOLE PRIOR WRITTEN PERMISSION.
PDWG NO: 0900-1

深圳市步步精科技有限公司

.X: ± 0.38	X': $\pm 3'$	NAME: TYPE-C 24P 母座 四脚插 沉板1.6 端子双排SMT L=7.90 LCP黑 镀金3U 编带
.XX: ± 0.25	.X': $\pm 2'$	
.XXX: ± 0.13	.XX': $\pm 1'$	
APPD	JM_Zheng	PJ NO: 126-221-240012-J8G
CHKD	LYX	SIZE:A4 DRW NO:
DR	SGF	FINISH:SEE NOTES MAT'L:SEE NOTES
		SCALE:N/A REV:A0 UNIT:mm PAGE:2/2