

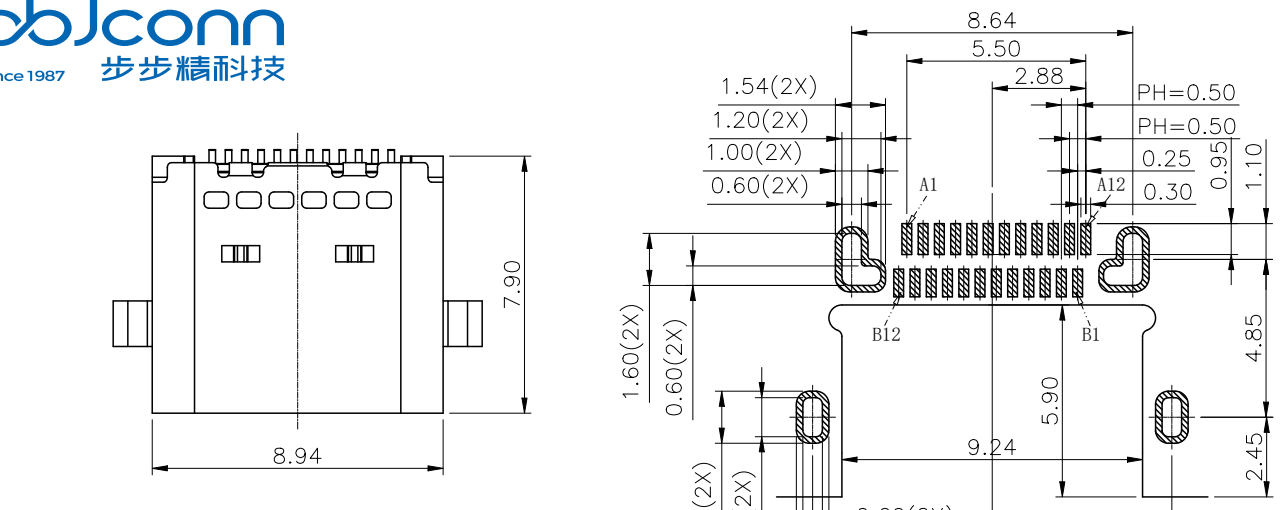
REV	ECN NO	CONTENT	DATE	ENGINEER
A0		INITIAL RELEASE	/	SGF

- NOTES:
SPECIFICATION:
1.CURRENT RATING: 5.0 A
2.VOLTAGE RATING: 5.0 V
3.VBUS & GND PINS AND OTHER PINS: 40mΩ/PIN MAX SHIELD: 50mΩ/MAX
LLCR MAX. CHANGE OF ALL PINS: 10Ωm
4.INSULATION RESISTANCE: 100MΩ MIN
5.DIELECTRIC WITHSTAND VOLTAGE,AC 100V FOR 1MINUTE
6.INSERTION FORCE: 0.5~2.0kgf
7.UNMATING FORCE: 0.8~2.0kgf
8.DURABILITY: 10000 CYCLES
9.OPERATING TEMPERATURE: -25°C~+85°C
10.THE PEAK TEMPERATURE ON THE BOARD SHALL BE MAINTAINED FOR 10 SECONDS AT 260°C

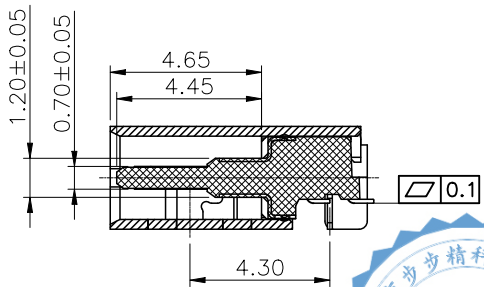
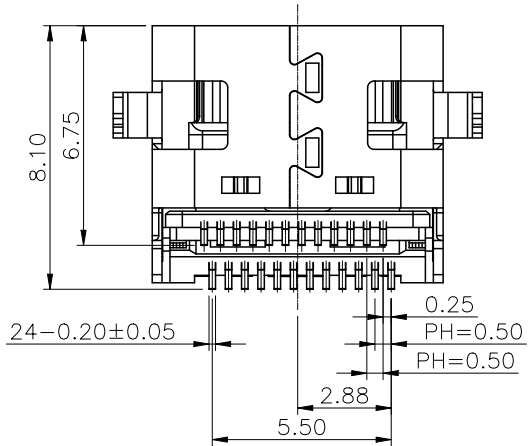
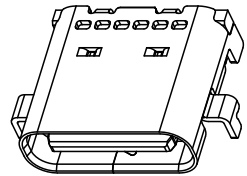
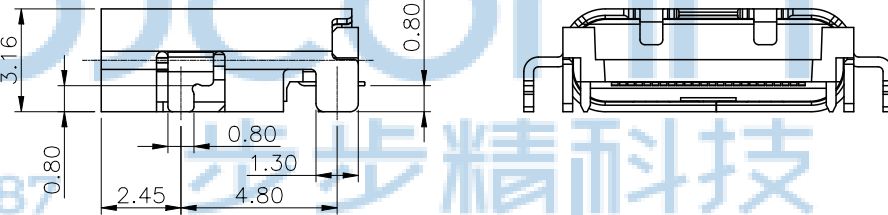
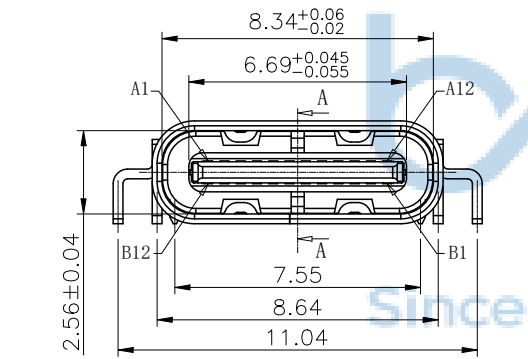


USB TYPE C PIN ASSIGNMENTS

PIN NUMBER	SIGNAL NAME	PIN NUMBER	SIGNAL NAME
A1	GND	B12	GND
A2	TX1+	B11	TX1+
A3	TX1-	B10	TX1-
A4	VBUS	B9	VBUS
A5	CC1	B8	SBU2
A6	DP1	B7	DN2
A7	DN1	B6	DP2
A8	SBU1	B5	CC2
A9	VBUS	B4	VBUS
A10	RX2-	B3	TX2-
A11	RX2+	B2	TX2+
A12	GND	B1	GND



RECOMMEND P.C.B LAYOUT (COMPONENT SIDE)
TOLERANCE FOR PCB LAYOUT IS ±0.05



SECTION A-A
SCALE 1:1

TABLE:

NO	PART	Q'TY	Material
1	SHELL	1	STAINLESS STEEL,NI PLATED
2	CONTACT	24	COPPER ALLOY,TIN/Au/NI PLATED
3	MID PLATE	1	STAINLESS STEEL,NO PLATING
4	EMI	1	STAINLESS STEEL,NI PLATED
5	HOUSING	1	HIGH TEMPERATURE RESISTANT PLASTIC BLACK UL94 V-0

THIS DOCUMENT IS THE SOLE PROPERTY OF BBJconn Technology Co.,Ltd. Corporation AND SHOULD NOT BE USED IN WHOLE PRIOR WRITTEN PERMISSION.
PDWG NO: 0900-1

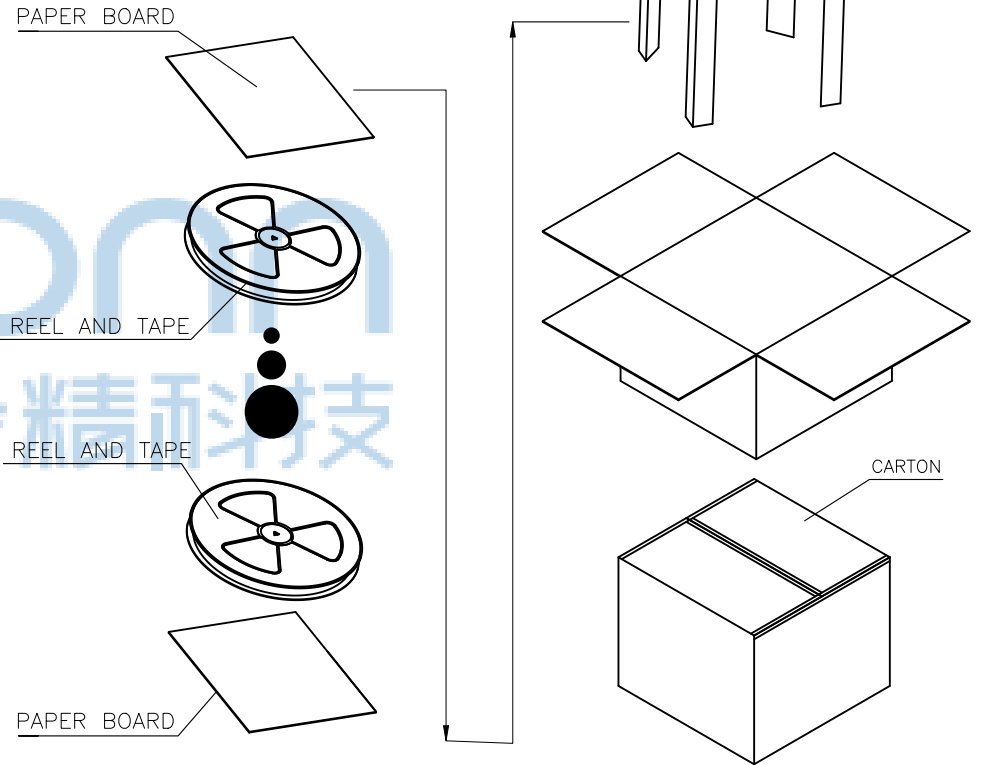
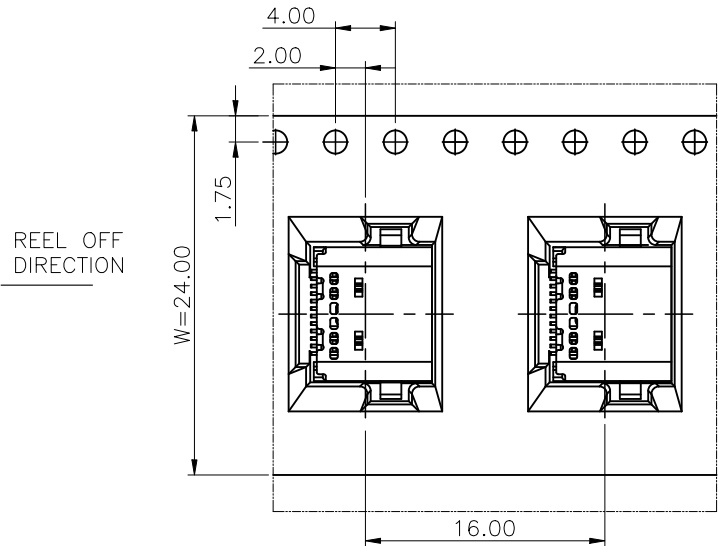
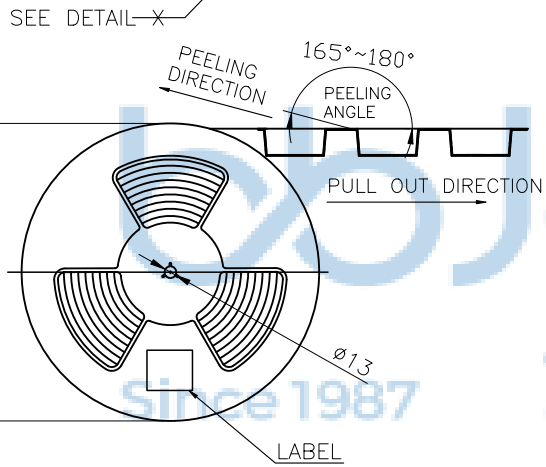
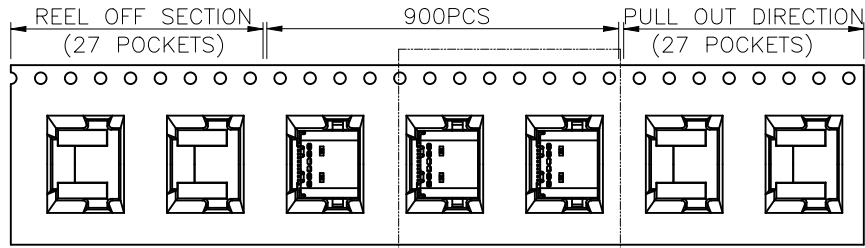


深圳市步步精科技有限公司

NAME: TYPE-C 24P 母座 四脚插 沉板0.8 端子双排SMT L=7.90 CH=0.78 不锈钢外壳 LCP黑胶 编带

APPD	JM_Zheng	PJ NO:126-221-240013-J8G
CHKD	LYX	
DR	SGF	SIZE:A4 DRW NO:
		FINISH:SEE NOTES MAT'L:SEE NOTES
		SCALE:N/A REV:A0 UNIT:mm PAGE:1/2

REV	ECN NO	CONTENT	DATE	ENGINEER
A0		INITIAL RELEASE	/	SGF



PULL OUT DIRECTION



	REEL	CARTON
CONNECTOR (PCS)	900	9000

THIS DOCUMENT IS THE SOLE PROPERTY OF BBJconn Technology Co.,Ltd. Corporation AND SHOULD NOT BE USED IN WHOLE PRIOR WRITTEN PERMISSION.
PDWG NO: 0900-1

深圳市步步精科技有限公司

NAME: TYPE-C 24P 母座 四脚插 沉板0.8 端子双排SMT L=7.90 CH=0.78 不锈钢外壳 LCP黑胶 编带

PJ NO:126-221-240013-J8G

SIZE:A4 | DRW NO:

FINISH:SEE NOTES | MAT'L:SEE NOTES

SCALE:N/A | REV:A0 | UNIT:mm | PAGE:2/2

APPD	JM_Zheng
CHKD	LYX
DR	SGF