

REV	ECN NO	CONTENT	DATE	ENGINEER
AO		INITIAL RELEASE	/	LQ

备注:

1. 材质:

1.1 胶芯: LCP+30%G. F UL94V-0

1.2 端子: 磷铜, T=0.12mm; 镍底, 镀金1 μ "

1.3 外壳: 不锈钢, T=0.30mm; 表面镀镍100 μ "
或亮锡100 μ "

2. 主要特性:

2.1 额定电流: 0.5A

2.2 接触阻抗: 30m Ω MAX

2.3 绝缘阻抗: 100M Ω MIN 250V DC

2.4 耐压测试: 250V AC

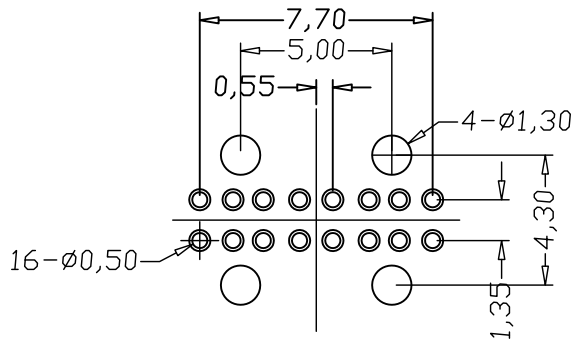
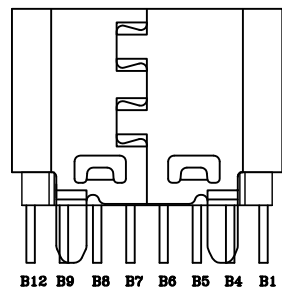
2.5 沾锡性: 温度250 \pm 5 $^{\circ}$ C, 时间5 \pm 0.5s

2.6 整体插入力: 3.57kgf MAX

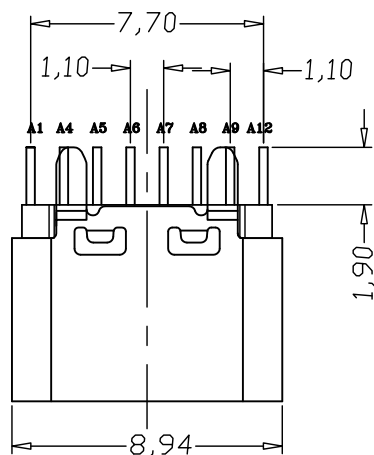
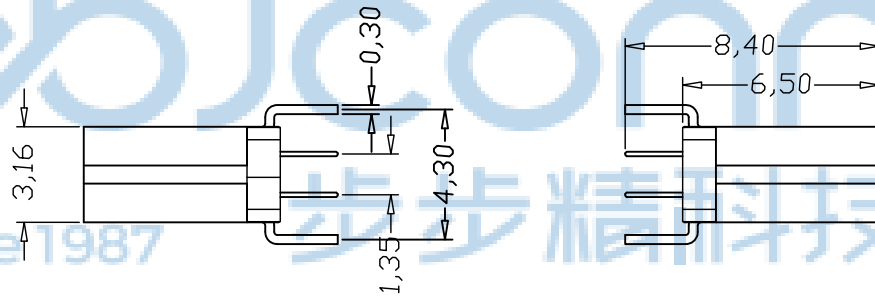
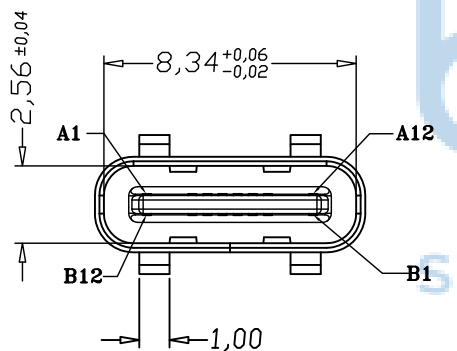
整体拔出力: 1.02kgf MIN

2.7 使用寿命: 10000次

2.8 工作温度: -30 $^{\circ}$ C ~ +80 $^{\circ}$ C



RECOMMENDED P.C.B. LAYOUT
TOLERANCE UNSPECIFIED \pm 0.05mm



A1	GND	B12	GND
A2	SSTXP1	B11	SSRXP1
A3	SSTXN1	B10	SSRXN1
A4	VBUS	B9	VBUS
A5	CC1	B8	SBU2
A6	DP1	B7	DN2
A7	DN1	B6	DP2
A8	SBU1	B5	CC2
A9	VBUS	B4	VBUS
A10	SSRXN2	B3	SSTXN2
A11	SSRXP2	B2	SSTXP2
A12	GND	B1	GND
PIN	SIGNAL NAME	PIN	SIGNAL NAME

THIS DOCUMENT IS THE
SOLE PROPERTY OF
BBJconn Technology Co.,Ltd.
Corporation AND SHOULD
NOT BE USED IN WHOLE
PRIOR WRITTEN PERMISSION.
PDWG NO:0354-1

bbJconn 深圳市步步精科技有限公司

NAME: TYPE-C 16P 母座 直立式 H=6.50
四脚插 端子DIP 端子G/F

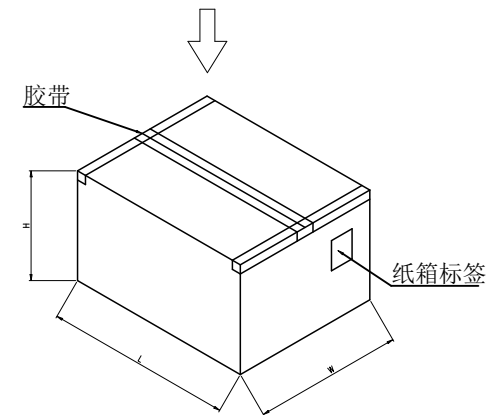
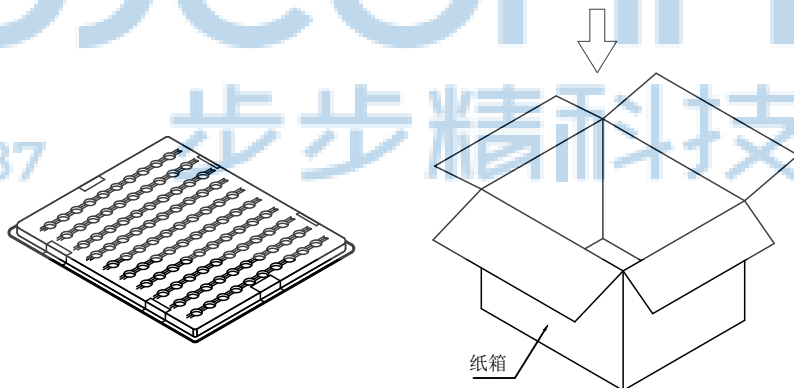
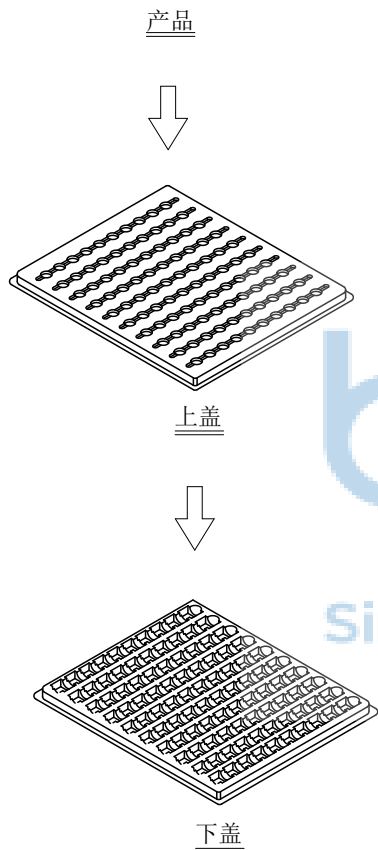
APPD: JM_Zheng
CHKD: LYX
DR: LQ

PJ NO: 126-225-160001-H6G
SIZE:A4 DRW NO:
FINISH:SEE NOTES MAT'L:SEE NOTES
SCALE:N/A REV: A0 UNIT:mm PAGE: 1/2

REV.	ECN NO	CONTENT	DATE	ENGINEER
A0		INITIAL RELEASE	/	LQ



bbJconn
Since 1987 步步精科技



1、包装要求:

- 1.1 每盒吸塑盒包装100pcs ;
- 1.2 每20盘放一箱,共计2000PCS;
- 1.3 纸箱外贴上标签。



THIS DOCUMENT IS THE
SOLE PROPERTY OF
BBJconn Technology Co.,Ltd.
Corporation AND SHOULD
NOT BE USED IN WHOLE
PRIOR WRITTEN PERMISSION.
PDWG NO:0354-1

深圳市步步精科技有限公司

.X: ±0.38 X': ±3'
.XX: ±0.25 .X': ±2'
.XXX: ±0.13 .XX': ±1'

NAME: TYPE-C 16P 母座 直立式 H=6.50
四脚插 端子DIP 端子G/F

APPD JM_Zheng

PJ NO: 126-225-160001-H6G

CHKD LYX

SIZE:A4 DRW NO:

DR LQ

FINISH:SEE NOTES MAT'L:SEE NOTES

SCALE:N/A REV: A0 UNIT:mm PAGE: 2/2