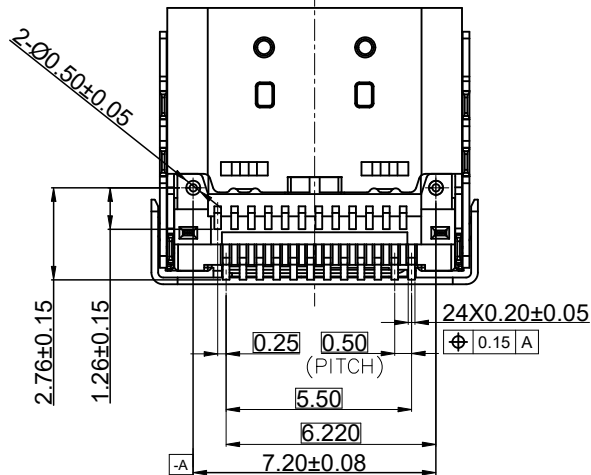
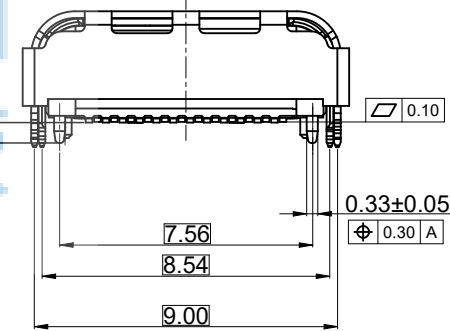
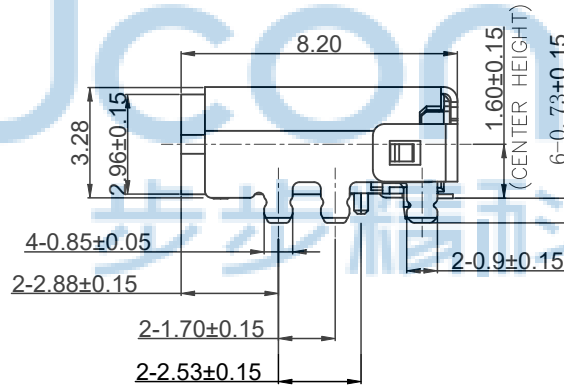
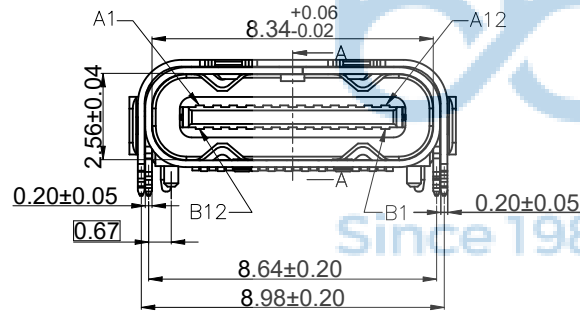
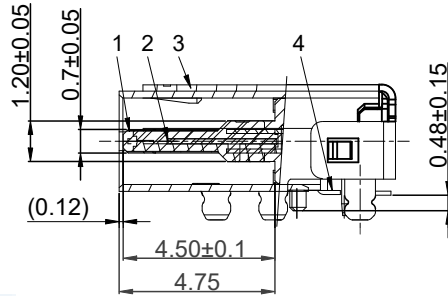
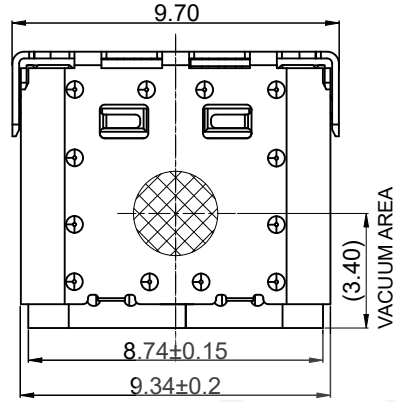


REV.	ECN NO	CONTENT	DATE	ENGINEER
A0		Initial release	/	GZY

NOTE/注释:

1. SPECIFICATION/规格:

- 1.1 Rated current (额定电流) : 7.0 A For Vbus pin
1.25A For Vconn pin
0.25A For Other pin
- 1.2 Voltage rating (额定电压) : 20V AC
- 1.3 Contact Resistance (接触阻抗) : 40 mΩ Max.
- 1.4 Insulation Resistance (绝缘阻抗) : 100MΩ Min.
- 1.5 Withstanding voltage (耐电压) : 100 VAC/minute
- 1.6 Mating force (插入力) : 5~20N .
- 1.7 Unmating force (拔出力) : 8~20N.
- 1.8 Durability Cycle(寿命循环):10,000 cycle
- 1.9 Operating temperature (工作温度) : -40°~+85°

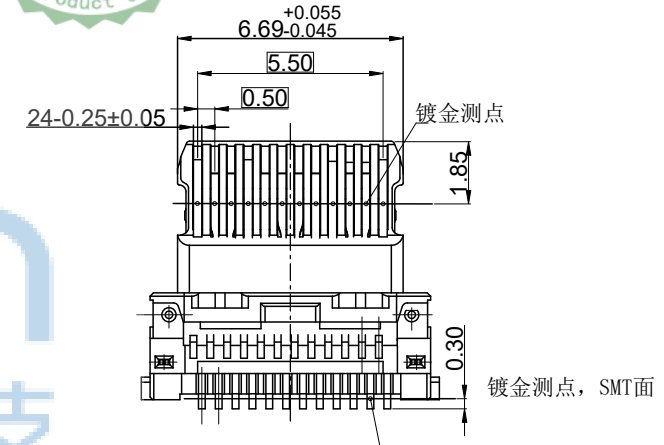
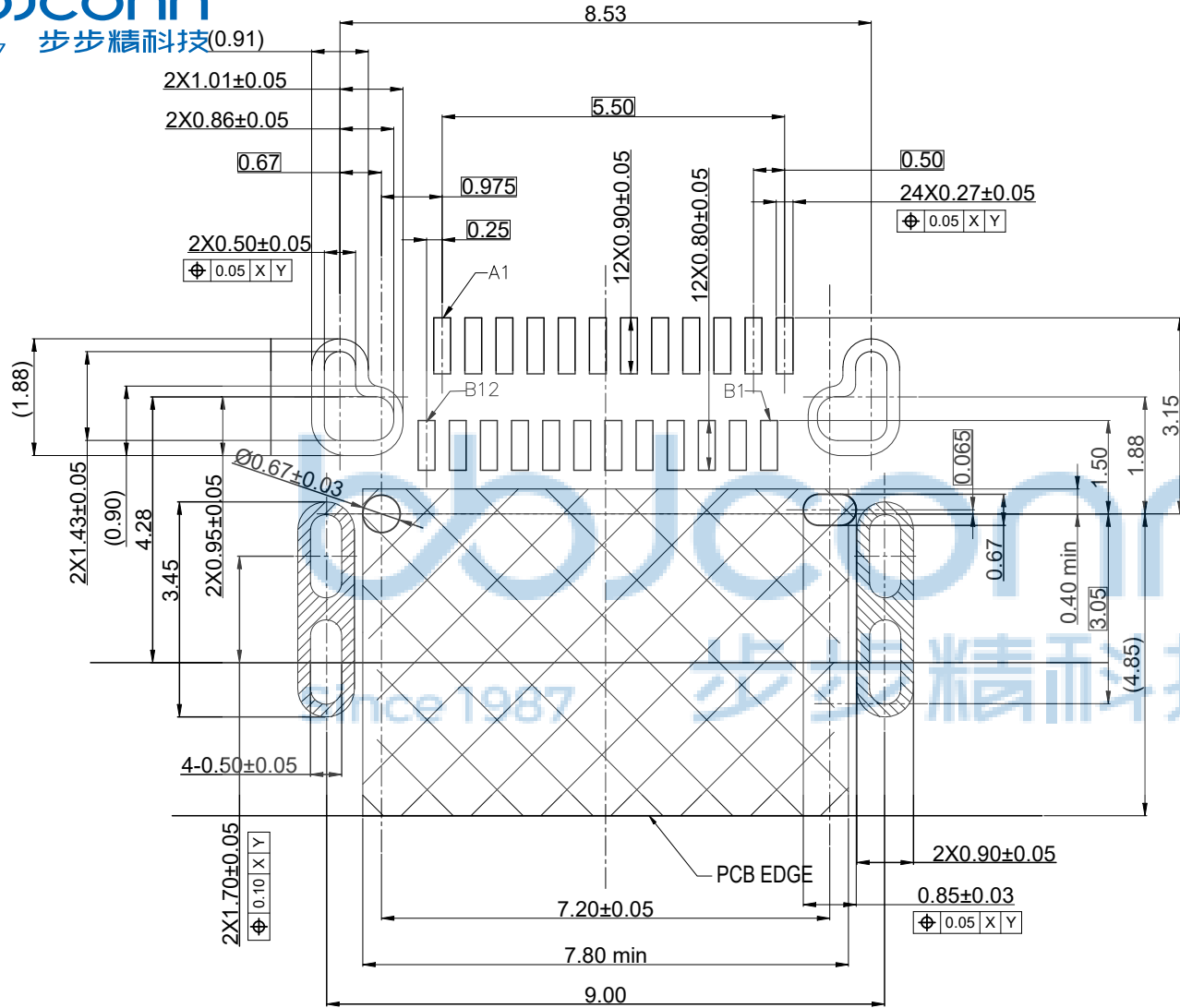


PIN ASSIGNMENT:

A1	A2	A3	A4	A5	A6	A7	A8	A9	A10	A11	A12
GND	TX1+	TX1-	Vbus	CC1	D+	D-	SBU1	Vbus	RX2-	RX2+	GND
GND	RX1+	RX1-	Vbus	SBU2	D-	D+	CC2	Vbus	TX2-	TX2+	GND
B12	B11	B10	B9	B8	B7	B6	B5	B4	B3	B2	B1

THIS DOCUMENT IS THE SOLE PROPERTY OF BBJconn Technology Co.,Ltd. Corporation AND SHOULD NOT BE USED IN WHOLE OR IN PART WITHOUT PRIOR WRITTEN PERMISSION.		深圳市步步精科技有限公司 NAME: TYPE-C 24P 母座 90度 双壳 外壳六脚DIP 端子双排SMT L=8.20 CH=1.60 带柱 带后盖 不锈钢外壳 PA9T黑色 编带 APPD. JM_Zheng CHKD. LYX DR. GZY	
.X: ±0.38 .XX: ±0.25 .XXX: ±0.13		X': ±3" .X': ±2" .XX': ±1"	
PDWG.NO: 0470-1		PJ. NO.: 126-221-240027-U4G SIZE: A4 DRW NO.: FINISH: SEE NOTES MAT'L.: SEE NOTES SCALE: N/A REV.: A0 UNIT: mm PAGE: 1/3	

REV.	ECN NO	CONTENT	DATE	ENGINEER
A0		Initial release	/	GZY



ITEM	DESCRIPTION	Q'TY	MATERIAL	FINISH	REMARK
4	TERMINAL	24	COPPER ALLOY XYK-40(C18140)	MATING SIDE:SEE PART NO; SOLDER TAIL:Gold FLASH, 50u" NICKEL OVERALL.	T=0.12
3	SHELL	2	SUS 304	30U" NICKEL PLATING	T=0.20
2	MID PLATE	1	SUS301	30U" NICKEL PLATING	T=0.15
1	MAIN HOUSING	1	HIGH TEMPERATURE	PA9T BLACK	UL94V0
BILL OF MATERIAL					

THIS DOCUMENT IS THE SOLE PROPERTY OF BBJconn Technology Co.,Ltd. Corporation AND SHOULD NOT BE USED IN WHOLE OR IN PART WITHOUT PRIOR WRITTEN PERMISSION.

PDWG,NO: 0470-1

APPD. JM_Zheng
CHKD. LYX
DR. GZY

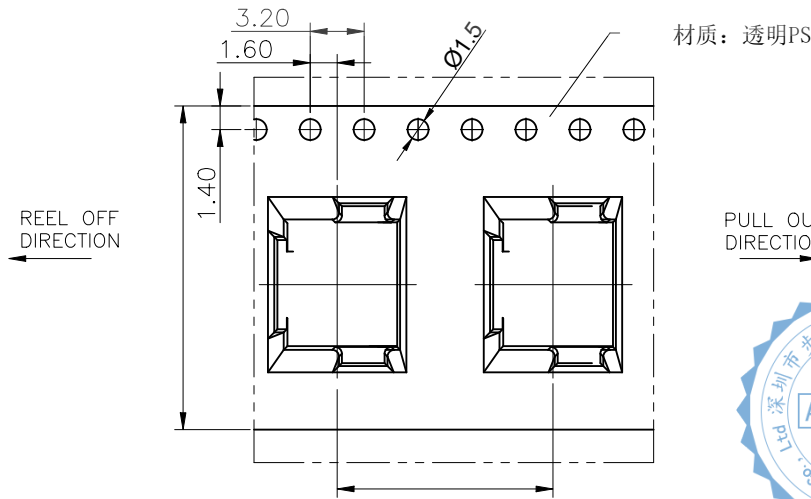
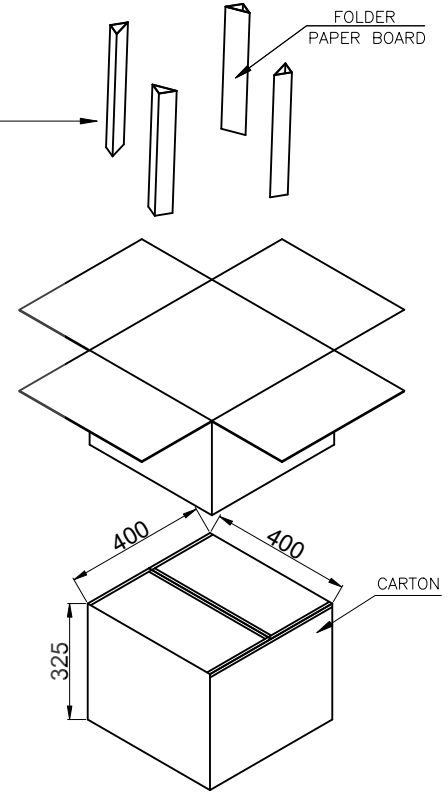
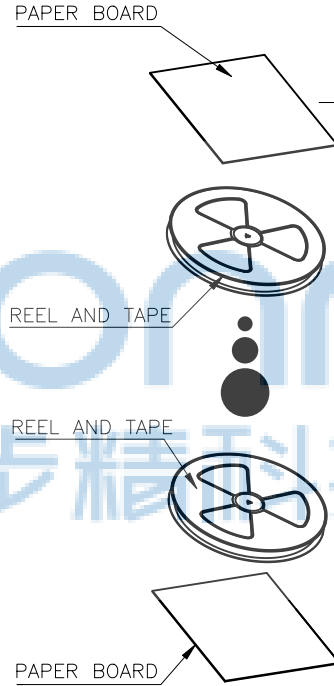
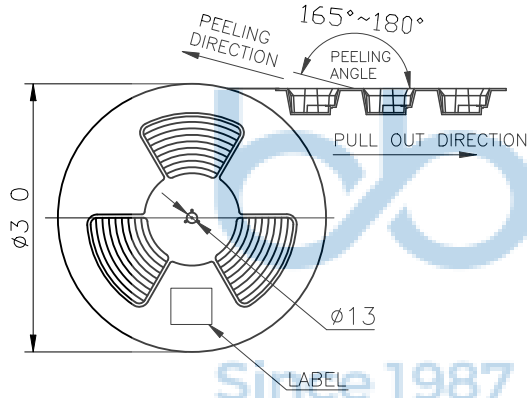
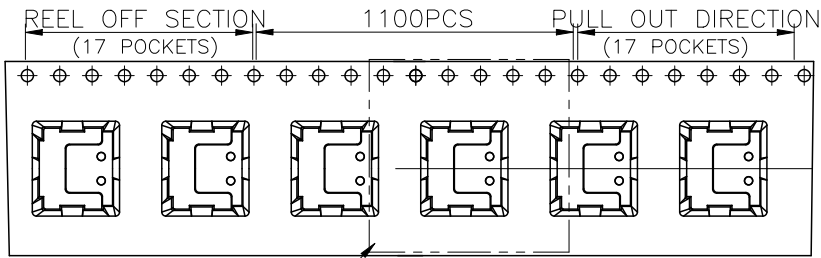
NAME: TYPE-C 24P 母座 90度 双壳 外壳六脚DIP 端子双排SMT L=8.20 CH=1.60 带柱 带后盖 不锈钢外壳 PA9T黑色 编带

PJ. NO.: 126-221-240027-U4G
SIZE: A4 DRW NO.:
FINISH: SEE NOTES MAT'L.: SEE NOTES
SCALE: N/A REV.: A0 UNIT: mm PAGE: 2/3



深圳市步步精科技有限公司

REV.	ECN NO.	CONTENT	DATE	ENGINEER
A0		Initial release	/	GZY



	REEL	CARTON
CONNECTOR (PCS)	1100	11000

THIS DOCUMENT IS THE SOLE PROPERTY OF BBJconn Technology Co.,Ltd. Corporation AND SHOULD NOT BE USED IN WHOLE OR IN PART WITHOUT PRIOR WRITTEN PERMISSION.

PDWG.NO: 0470-1

APPD. JM_Zheng
CHKD. LYX
DR. GZY

深圳市步步精科技有限公司

NAME: TYPE-C 24P 母座 90度 双壳 外壳六脚DIP 端子双排SMT L=8.20 CH=1.60 带柱 带后盖 不锈钢外壳 PA9T黑色 编带

PJ. NO.: 126-221-240027-U4G
SIZE: A4 DRW NO.:
FINISH: SEE NOTES MAT'L.: SEE NOTES
SCALE: N/A REV.: A0 UNIT: mm PAGE: 3/3