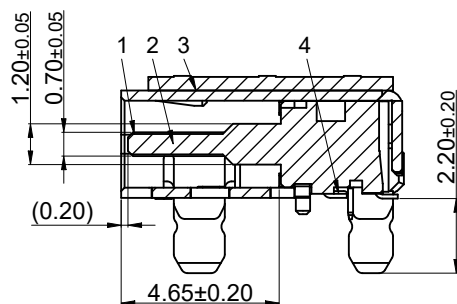


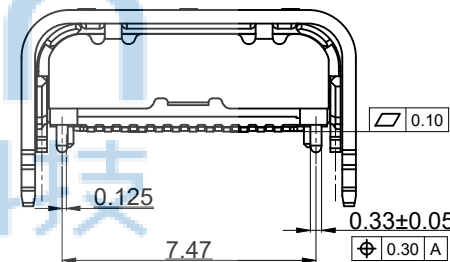
NOTE/注释:

1. SPECIFICATION/规格:

- 1.1 Rated current (额定电流): 5.0 A
- 1.2 Voltage rating (额定电压): 5V AC
- 1.3 Contact Resistance (接触阻抗): 40 mΩ Max.
- 1.4 Insulation Resistance (绝缘阻抗): 100MΩ Min.
- 1.5 Withstanding voltage (耐电压): 100 VAC/minute
- 1.6 Mating force (插入力): 5~20N.
- 1.7 Unmating force (拔出力): 8~20N.
- 1.8 Durability Cycle(寿命循环): 10,000 cycle
- 1.9 Operating temperature (工作温度): -40°~+85°



A-A



PIN ASSIGNMENT:

A1	A2	A3	A4	A5	A6	A7	A8	A9	A10	A11	A12
GND	TX1+	TX1-	Vbus	CC1	D+	D-	SBU1	Vbus	RX2-	RX2+	GND
GND	RX1+	RX1-	Vbus	SBU2	D-	D+	CC2	Vbus	TX2-	TX2+	GND
B12	B11	B10	B9	B8	B7	B6	B5	B4	B3	B2	B1

THIS DOCUMENT IS THE
SOLE PROPERTY OF
BBJconn Technology Co.,Ltd.
Corporation AND SHOULD
NOT BE USED IN WHOLE
OR IN PART WITHOUT
PRIOR WRITTEN PERMISSION.
PDWG.NO: 0470-1

深圳市步步精科技有限公司

.X: ±0.38 X': ±3'
.XX: ±0.25 .X': ±2'
.XXX: ±0.13 .XX': ±1'

NAME: TYPE-C 24P 母座 双壳 板上四脚插 带柱 带后盖
端子双排SMT L=8.17 CH=1.57 外壳脚长2.2 编带

APPD. JM_Zheng

PJ. NO.:

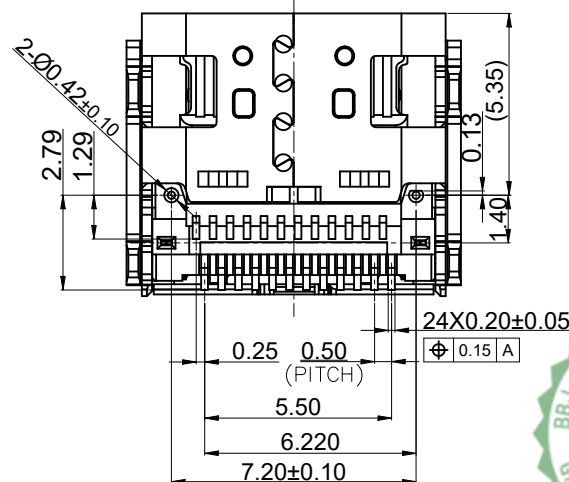
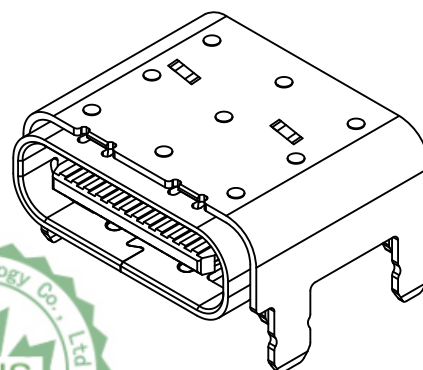
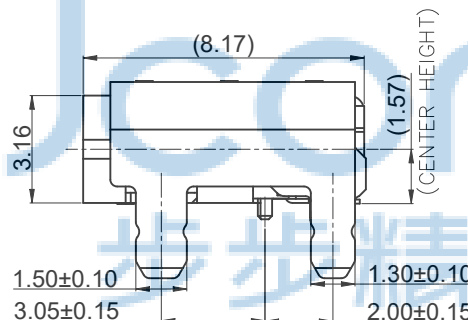
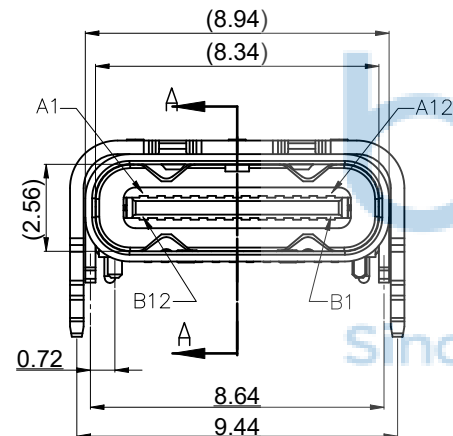
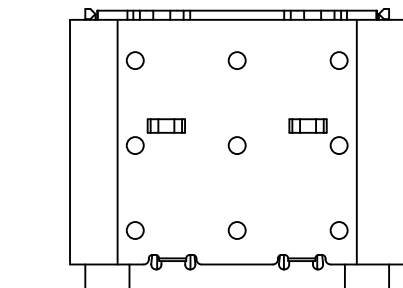
CHKD. LYX

SIZE: A4 DRW NO.:

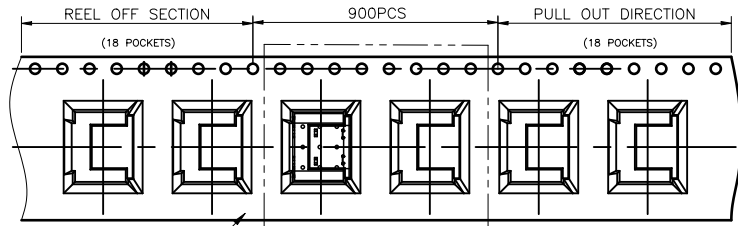
DR. SGF

FINISH: SEE NOTES MAT'L: SEE NOTES

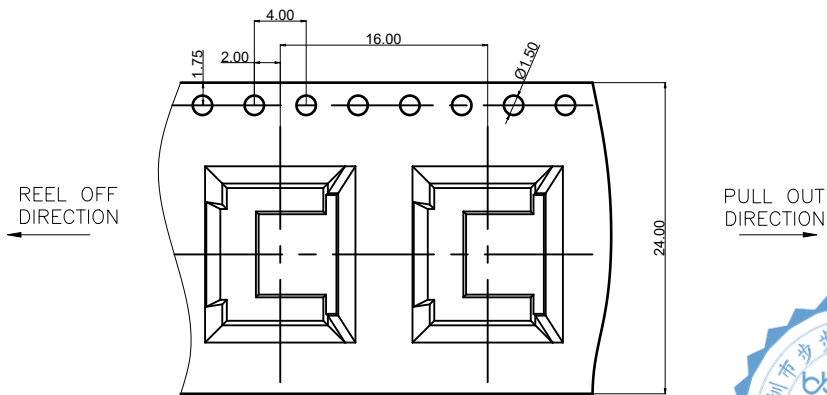
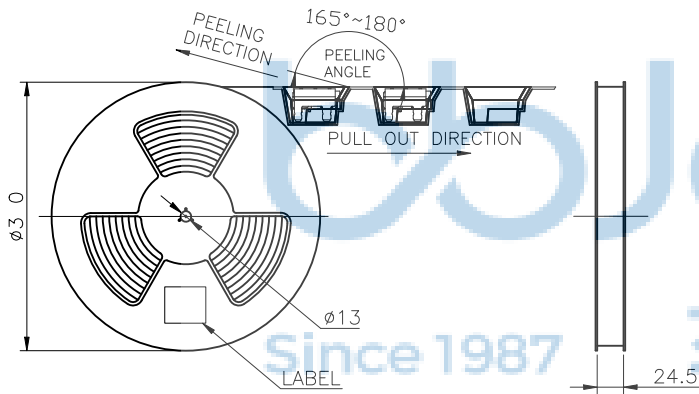
SCALE: N/A REV.: A0 UNIT: mm PAGE: 1/3



REV.	ECN NO	CONTENT	DATE	ENGINEER
A0		Initial release	/	SGF



SEE DETAIL X



PAPER BOARD

REEL AND TAPE

REEL AND TAPE

PAPER BOARD

FOLDER PAPER BOARD

CARTON

	REEL	CARTON
CONNECTOR (PCS)	900	9000



THIS DOCUMENT IS THE SOLE PROPERTY OF BBJconn Technology Co.,Ltd. Corporation AND SHOULD NOT BE USED IN WHOLE OR IN PART WITHOUT PRIOR WRITTEN PERMISSION.
PDWG:NO: 0470-1

bbJconn 深圳市步步精科技有限公司

.X: ±0.38 .XX: ±0.25 .XXX: ±0.13	X': ±3" .X': ±2" .XX': ±1"	NAME: TYPE-C 24P 母座 双壳 板上四脚插 带柱 带后盖 端子双排SMT L=8.17 CH=1.57 外壳脚长2.2 编带
APPD. JM_Zheng		PJ. NO.:
CHKD. LYX		SIZE: A4 DRW NO.:
DR. SGF		FINISH: SEE NOTES MAT'L.: SEE NOTES
		SCALE: N/A REV.: A0 UNIT: mm PAGE: 3/3