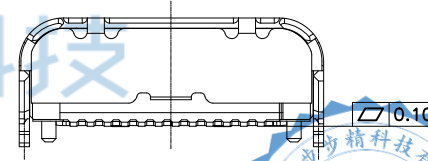
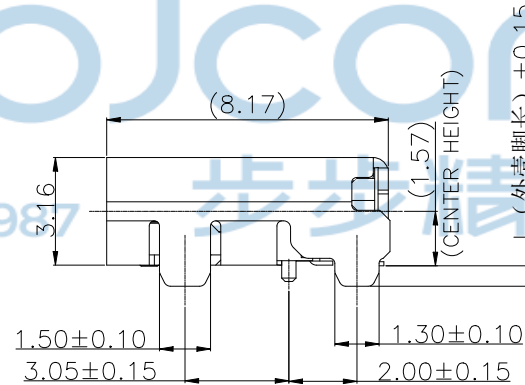
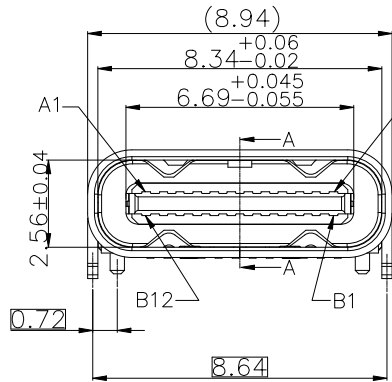
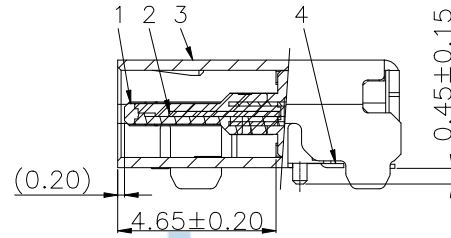
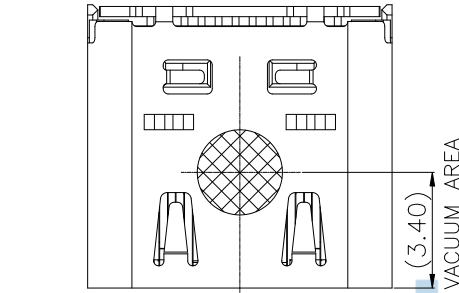


REV	ECN NO	CONTENT	DATE	ENGINEER
A0		INITIAL RELEASE	/	LYX

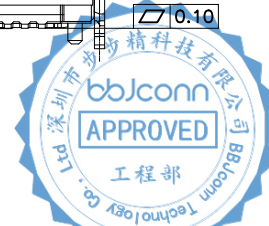
NOTE/注释:

1. SPECIFICATION/规格:

- 1.1 Rated current (额定电流): 7 A For Vbus pin, 10A MAX  
1.25A For Vconn pin  
0.25A For Other pin
- 1.2 Voltage rating (额定电压): 5V AC/DC, 48V MAX
- 1.3 Contact Resistance (接触阻抗): 40 m Ω Max.
- 1.4 Insulation Resistance (绝缘阻抗): 100MΩ Min.
- 1.5 Withstanding voltage (耐电压): 100 VAC/minute
- 1.6 Mating force (插入力): 5~20N
- 1.7 Unmating force (拔出力): 8~20N
- 1.8 Durability Cycle (寿命循环): 10,000 cycle
- 1.9 Operating temperature (工作温度): -40~+85°



外壳脚长L	1.60
	1.20
	0.90
	0.60



PIN ASSIGNMENT:

A1	A2	A3	A4	A5	A6	A7	A8	A9	A10	A11	A12
GND	TX1+	TX1-	Vbus	CC1	D+	D-	SBU1	Vbus	RX2-	RX2+	GND
GND	RX1+	RX1-	Vbus	SBU2	D-	D+	CC2	Vbus	TX2-	TX2+	GND
B12	B11	B10	B9	B8	B7	B6	B5	B4	B3	B2	B1

4	TERMINAL	24	COPPER ALLOY XYK-40(C18140)	Au 15u" PLATED ON THE FUNCTIONAL AREA OF CONTACT; SOLDER TAIL: Gold FLASH, 50u" NICKEL OVERALL.	T=0.12
3	SHELL	1	SUS304	30U" NICKEL PLATING	T=0.30
2	MID PLATE	1	SUS301-H	RINSE	T=0.15
1	MAIN HOUSING	1	HIGH TEMPERATURE	PA9T BLACK	UL94V-0
ITEM	DESCRIPTION	Q'TY	MATERIAL	FINISH	REMARK

BILL OF MATERIAL

THIS DOCUMENT IS THE  
SOLE PROPERTY OF

BBJconn Technology Co.,Ltd.  
Corporation AND SHOULD

NOT BE USED IN WHOLE  
PRIOR WRITTEN PERMISSION.

PDWG NO:0470-1



深圳市步步精科技有限公司

.X: ±0.38 X': ±3"  
.XX: ±0.25 X'': ±2"  
.XXX: ±0.13 .XX': ±1'

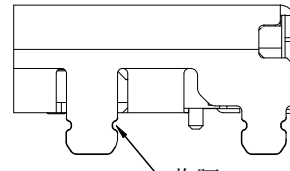
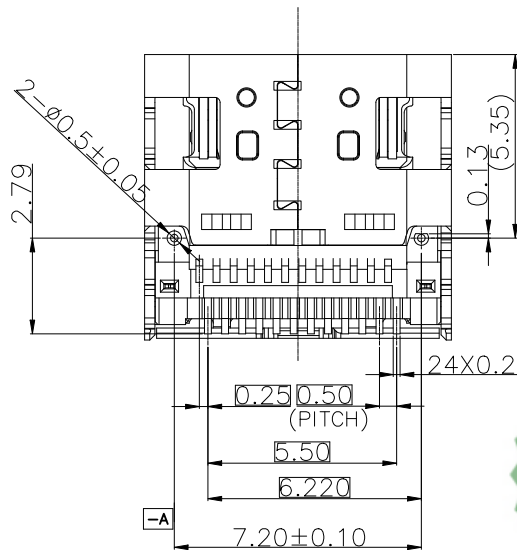
NAME: TYPE-C 24P 母座 外壳四脚DIP脚长0.6 端子双排SMT  
CH=1.57 L=8.17 LCP黑胶 带柱 镀金15u 编带

APPD JM\_Zheng  
CHKD Tang

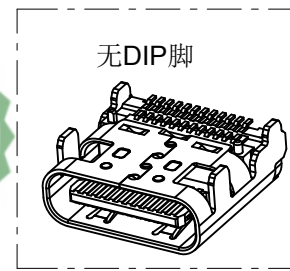
PJ NO:  
SIZE:A4 DRW NO:

DR LYX

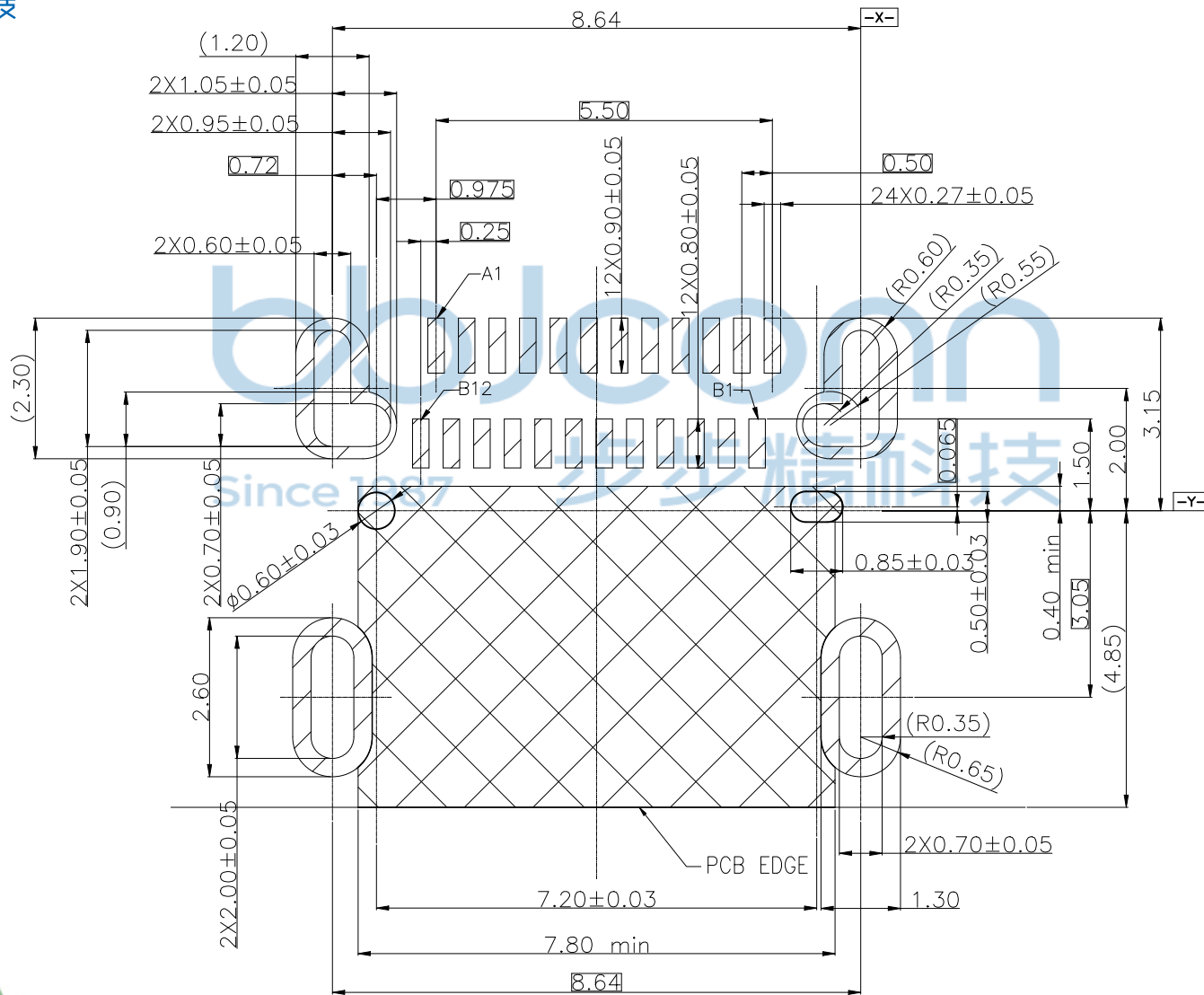
FINISH:SEE NOTES MAT'L:SEE NOTES  
SCALE:N/A REV:A0 UNIT:mm PAGE:1/3




备注: 壳脚长为1.2, 1.6  
的B, C两款成品壳脚有收腰

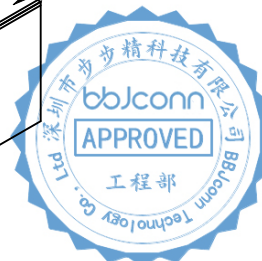
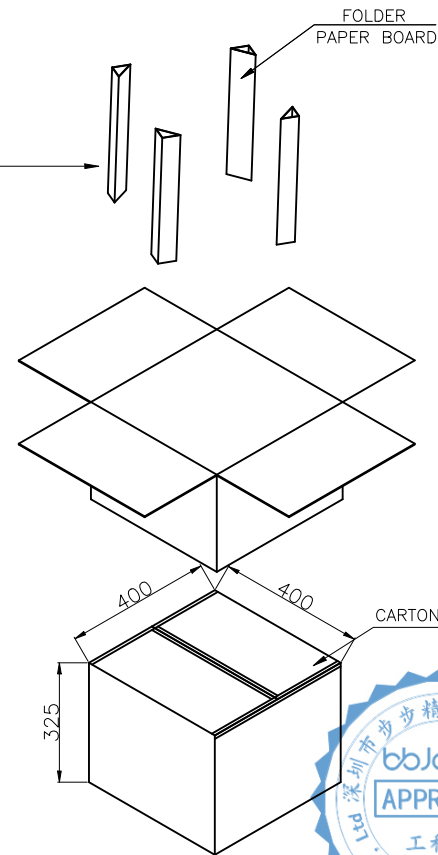
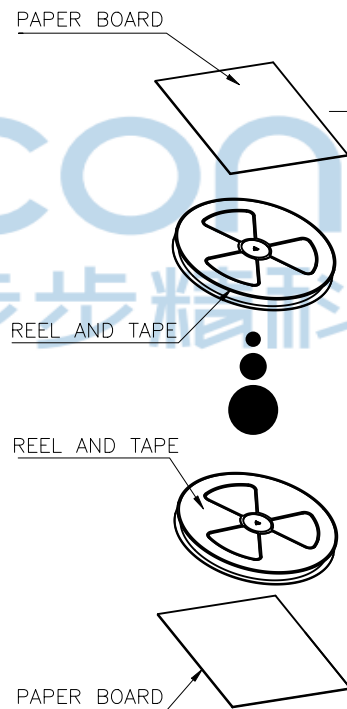
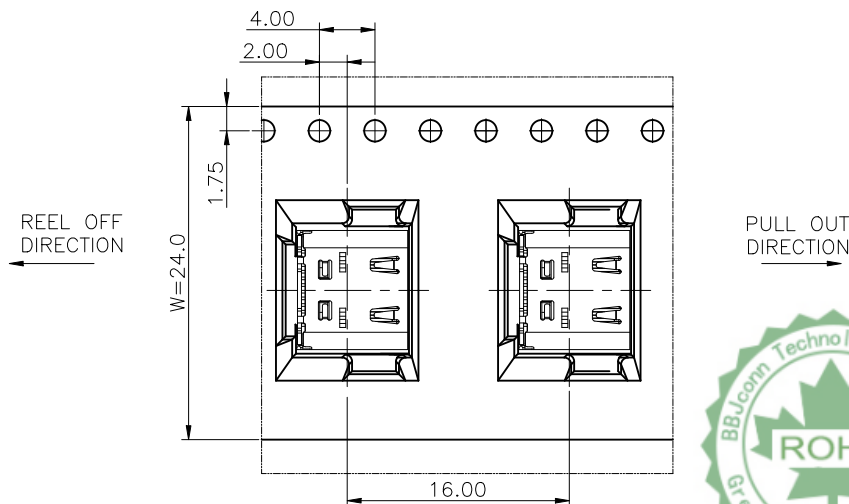
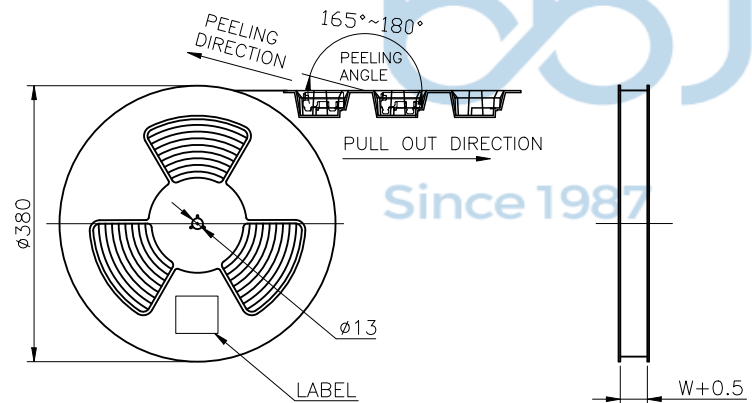
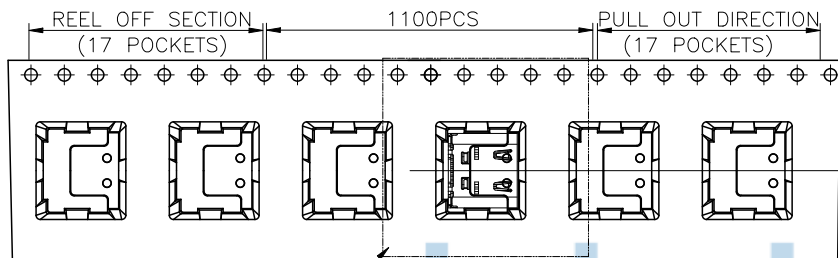


REV	ECN NO	CONTENT	DATE	ENGINEER
A0		INITIAL RELEASE	/	LYX



THIS DOCUMENT IS THE SOLE PROPERTY OF BBJconn Technology Co.,Ltd. Corporation AND SHOULD NOT BE USED IN WHOLE PRIOR WRITTEN PERMISSION.		 <b>深圳市步步精科技有限公司</b>	
PDWG NO:0470-1		.X: ±0.38 .XX: ±0.25 .XXX: ±0.13	X': ±3' .X': ±2' .XX': ±1'
APPD	JM_Zheng	NAME: TYPE-C 24P 母座 外壳四脚DIP脚长0.6 端子双排SMT CH=1.57 L=8.17 LCP黑胶 带柱 镀金15u 编带	
CHKD	Tang	PJ NO: SIZE:A4 DRW NO:	
DR	LYX	FINISH:SEE NOTES SCALE:N/A REV:A0 UNIT:mm PAGE:2/3	
		MAT'L:SEE NOTES	

REV	ECN NO	CONTENT	DATE	ENGINEER
AO		INITIAL RELEASE	/	LYX



	REEL	CARTON
CONNECTOR (PCS)	1100	11000



THIS DOCUMENT IS THE SOLE PROPERTY OF BBJconn Technology Co.,Ltd. Corporation AND SHOULD NOT BE USED IN WHOLE PRIOR WRITTEN PERMISSION.

PDWG NO:0470-1

DR LYX

**深圳市步步精科技有限公司**

.X: ±0.38 .XX: ±0.25 .XXX: ±0.13 X': ±3' .X': ±2' .XX': ±1'

NAME: TYPE-C 24P 母座 外壳四脚DIP脚长0.6 端子双排SMT CH=1.57 L=8.17 LCP黑胶 带柱 镀金15u 编带

APPD JM\_Zheng

CHKD Tang

PJ NO: SIZE:A4 DRW NO:

FINISH:SEE NOTES MAT'L:SEE NOTES

SCALE:N/A REV:A0 UNIT:mm PAGE:3/3