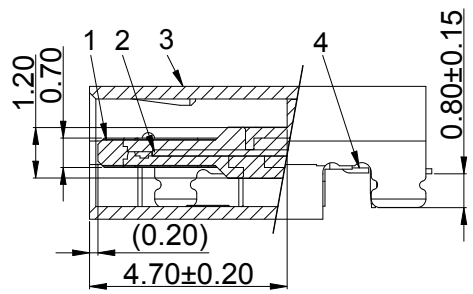
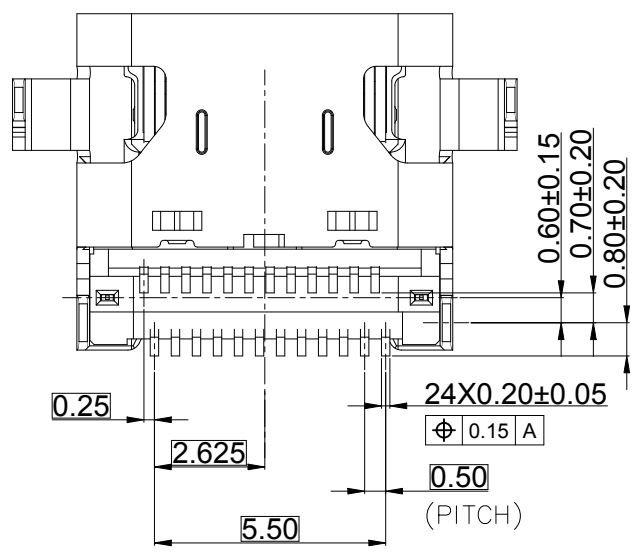
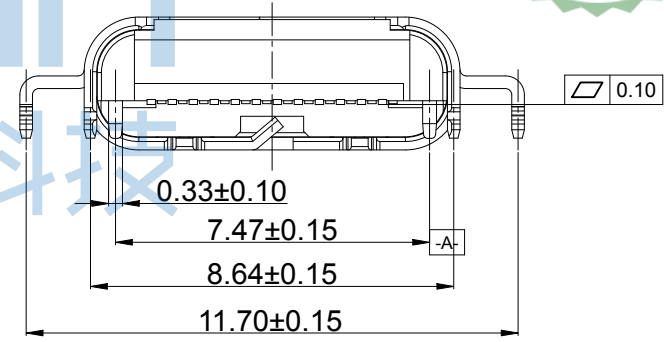
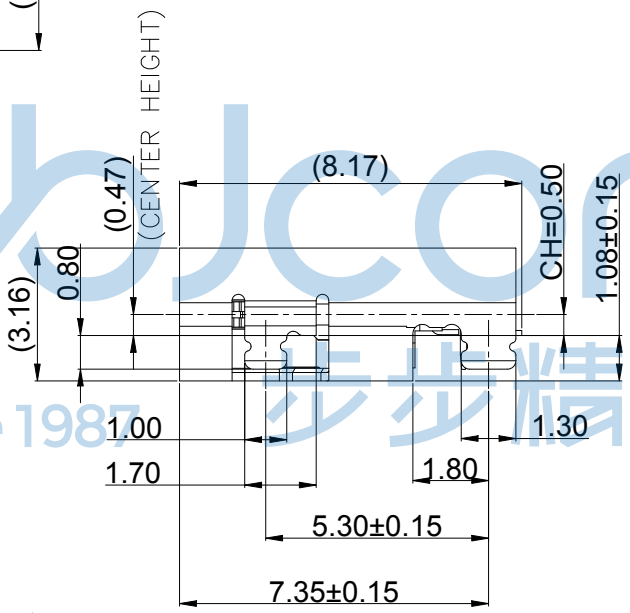
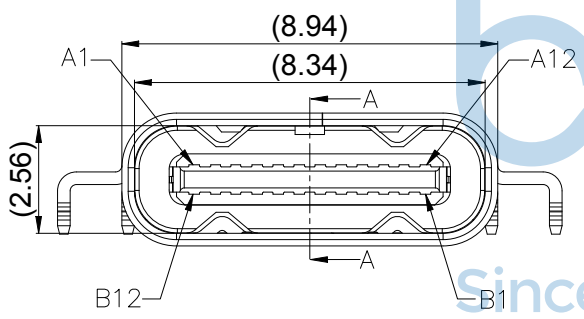
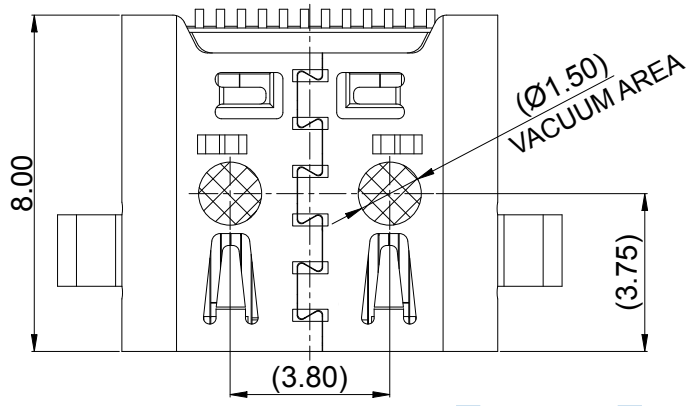


REV.	ECN NO.	CONTENT	DATE	ENGINEER
A0		Initial release	/	TSP

NOTE/注释:

- SPECIFICATION/规格:
 - Rated current (额定电流): 5.0 A
 - Voltage rating (额定电压): 5V AC
 - Contact Resistance (接触阻抗): 40 m Ω Max.
 - Insulation Resistance (绝缘阻抗): 100MΩ Min.
 - Withstanding voltage (耐电压): 100 VAC/minute
 - Mating force (插入力): 5~20N.
 - Unmating force (拔出力): 8~20N.
 - Durability Cycle (寿命循环): 10,000 cycle
 - Operating temperature (工作温度): -40° ~ +85°



ITEM	DESCRIPTION	QTY	MATERIAL	FINISH	REMARK
4	TERMINAL	24	C18140	SOLDER TAIL: Gold 1u, 50u" NICKEL OVERALL.	T=0.12
3	SHELL	1	SUS304	NICKEL PLATING	T=0.30
2	MID PLATE	1	SUS301	NICKEL PLATING	T=0.15
1	MAIN HOUSING	1	PA9T HF 30%玻纤, UL94 V-0, 黑色		BLACK UL94V-0

THIS DOCUMENT IS THE SOLE PROPERTY OF BBJconn Technology Co., Ltd. Corporation AND SHOULD NOT BE USED IN WHOLE OR IN PART WITHOUT PRIOR WRITTEN PERMISSION.

PDWG.NO: 0470-1

DR. TSP

APPD. JM_Zheng

CHKD. LYX

NAME: TYPE-C 24P 母座 无后盖 单壳 四脚插 端子双排SMT 沉板1.08 L=8.0 CH=0.50 编带

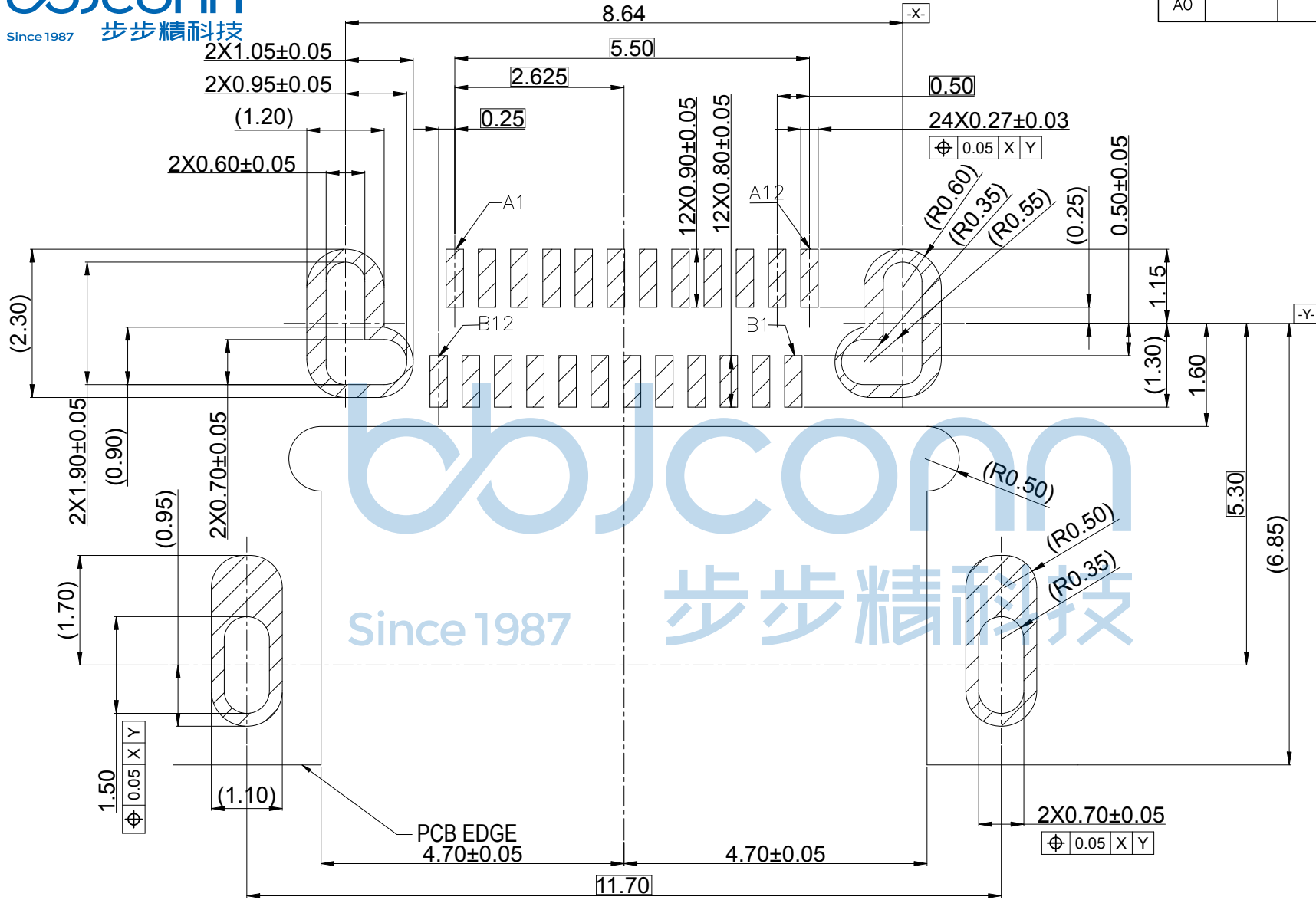
PJ. NO.:

SIZE: A4 | DRW NO.:

FINISH: SEE NOTES | MAT'L.: SEE NOTES

SCALE: N/A | REV.: A0 | UNIT: mm | PAGE: 1/3

REV.	ECN NO	CONTENT	DATE	ENGINEER
A0		Initial release	/	TSP



PIN ASSIGNMENT

A1	A2	A3	A4	A5	A6	A7	A8	A9	A10	A11	A12
GND	TX1+	TX1-	Vbus	CC1	D+	D-	SBU1	Vbus	RX2-	RX2+	GND
GND	RX1+	RX1-	Vbus	SBU2	D-	D+	CC2	Vbus	TX2-	TX2+	GND
B12	B11	B10	B9	B8	B7	B6	B5	B4	B3	B2	B1

THIS DOCUMENT IS THE SOLE PROPERTY OF BBJconn Technology Co.,Ltd. Corporation AND SHOULD NOT BE USED IN WHOLE OR IN PART WITHOUT PRIOR WRITTEN PERMISSION.

PDWG.NO: 0470-1

APPD. JM_Zheng
CHKD. LYX
DR. TSP

深圳市步步精科技有限公司

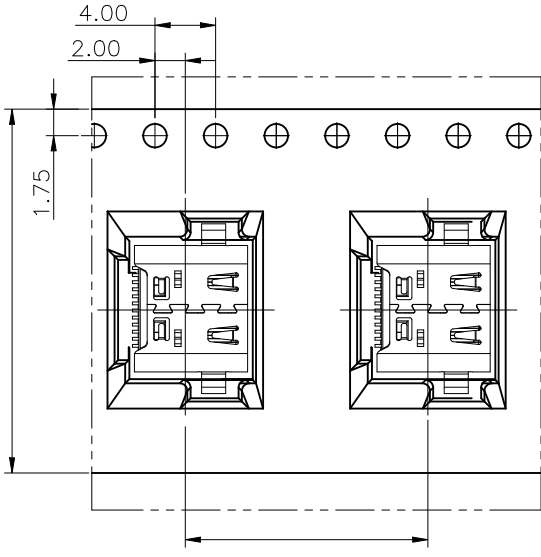
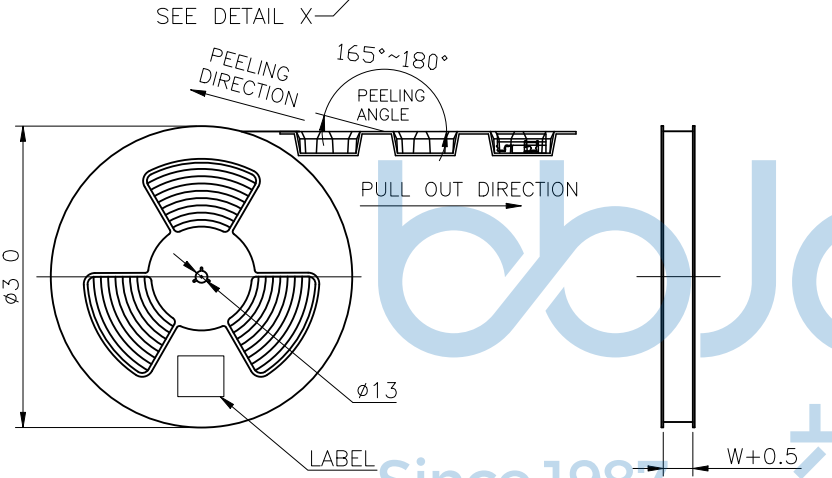
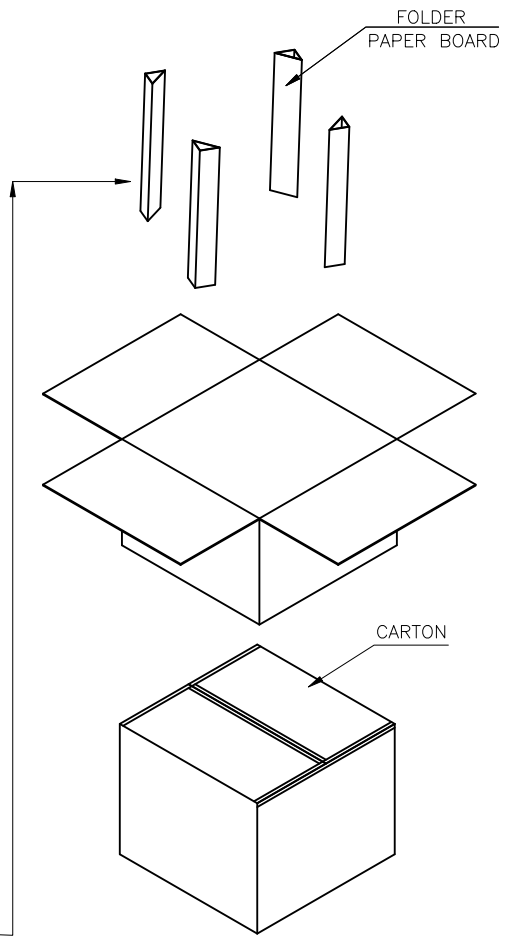
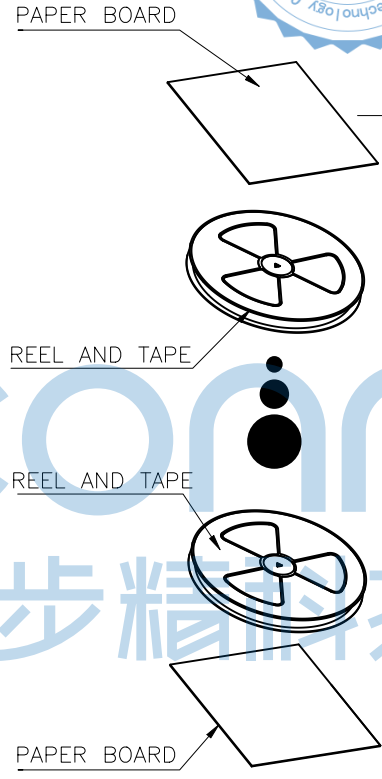
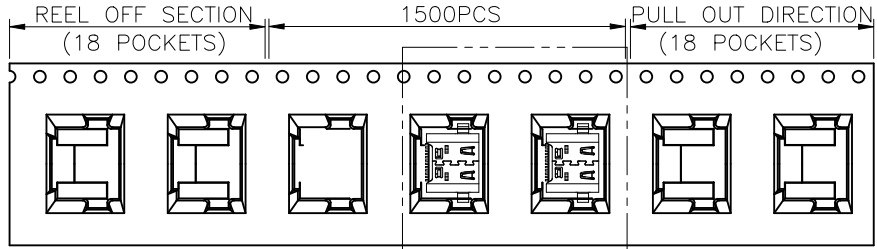
.X: ±0.38 .X': ±3'
.XX: ±0.25 .X': ±2'
.XXX: ±0.13 .XX': ±1'

NAME: TYPE-C 24P 母座 无后盖 单壳 四脚插 端子双排SMT 沉板1.08 L=8.0 CH=0.50 编带

PJ. NO.:
SIZE: A4 DRW NO.:

FINISH: SEE NOTES MAT'L.: SEE NOTES
SCALE: N/A REV.: A0 UNIT: mm PAGE: 2/3

REV.	ECN NO.	CONTENT	DATE	ENGINEER
A0		Initial release	/	TSP



PULL OUT DIRECTION



	REEL	CARTON
CONNECTOR (PCS)	1500	15000

THIS DOCUMENT IS THE SOLE PROPERTY OF BBJconn Technology Co., Ltd. Corporation AND SHOULD NOT BE USED IN WHOLE OR IN PART WITHOUT PRIOR WRITTEN PERMISSION.

PDWG.NO: 0470-1

深圳市步步精科技有限公司

NAME: TYPE-C 24P 母座 无后盖 单壳 四脚插 端子双排SMT 沉板1.08 L=8.0 CH=0.50 编带

APPD. JM_Zheng	PJ. NO.:
CHKD. LYX	SIZE: A4 DRW NO.:
DR. TSP	FINISH: SEE NOTES MAT'L.: SEE NOTES
	SCALE: N/A REV.: A0 UNIT: mm PAGE: 3/3