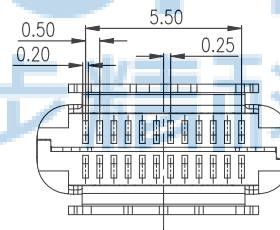
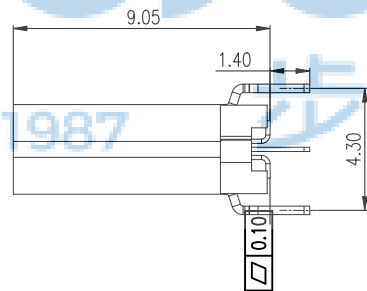
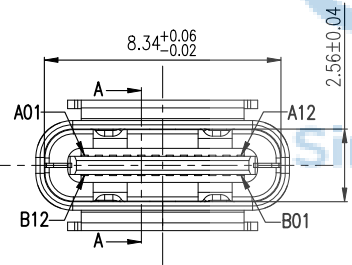
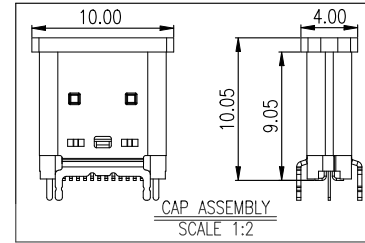
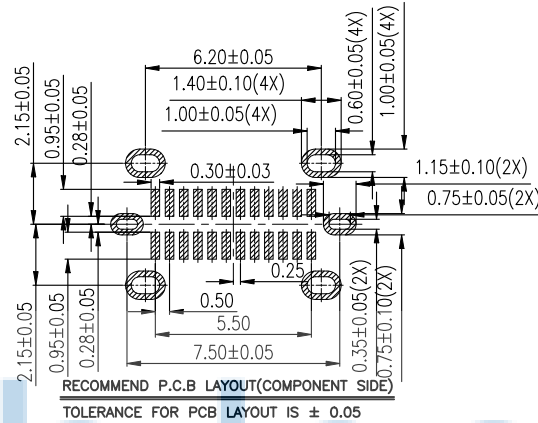
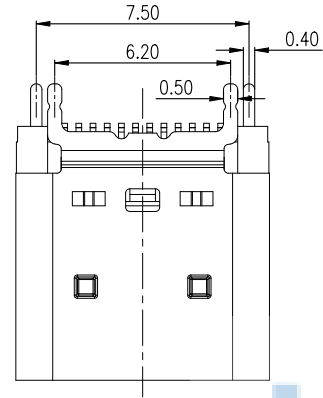


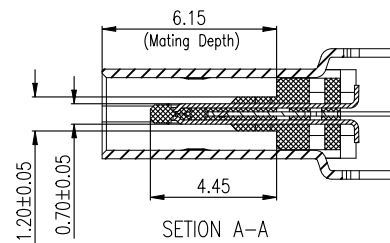
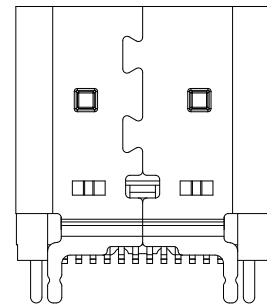
REV.	ECN NO.	CONTENT	DATE	ENGINEER
A0		Initial release	/	SGF

NOTE:

- MECHANICAL:
  - MATING FORCE: 0.5~2.0Kgf
  - UMMATING FORCE: Initial: 0.8~2.0Kgf  
After 500 to 10,000cycles: 0.6~2.0Kgf
  - FREQUENCY: 500±50 CYCLES/HOUR, 10000 CYCLES;
- ELECTRICAL CHARACTERISTICS:
  - CURRENT RATING:
    - VBUS Pins (A4,A9,B4,B9): 5A Max:  
1.25 Amps MAX. for Vconn (B5) with return path through the corresponding GND pins(Pin A1, A12, B1, B12).
    - Other All Pins 0.25A/Pin
  - INITIAL CONTACT RESISTANCE: 40mΩ Max.
  - INSULATION RESISTANCE: 100MΩ MIN
  - WITHSTANDING VOLTAGE: 100V AC, 1 MINUTE;
- ENVIRONMENTAL
  - TEMPERATURE RANGE: -40°C TO +85°C.
- Recommended thickness of steel mesh T=0.12mm.



A1	GND	B12	GND
A2	SSTXP1	B11	SSRXP1
A3	SSTXN1	B10	SSRXN1
A4	VBUS	B9	VBUS
A5	CC1	B8	SBU2
A6	DP1	B7	DN2
A7	DN1	B6	DP2
A8	SBU1	B5	CC2
A9	VBUS	B4	VBUS
A10	SSRXN2	B3	SSTXN2
A11	SSRXP2	B2	SSTXP2
A12	GND	B1	GND
PIN	SIGNAL NAME	PIN	SIGNAL NAME



ITEM	PART NAME	Q'TY	MATERIAL	FINISH
1	Molding	1	THERMOPLASTIC	Black, UL94V-0
2	CONTACT	24	HIGH CONDUCTIVITY COPPER	Contact area: Au:3u"
3	SHELL	1	STAINLESS STEEL	Ni plated over all
4	MID-PLATE	1	STAINLESS STEEL	Ni plated over all
5	CAP	1	THERMOPLASTIC	Black, UL94V-0

THIS DOCUMENT IS THE SOLE PROPERTY OF BBJconn Technology Co., Ltd. Corporation AND SHOULD NOT BE USED IN WHOLE OR IN PART WITHOUT PRIOR WRITTEN PERMISSION.  
PDWG.NO: 0470-1

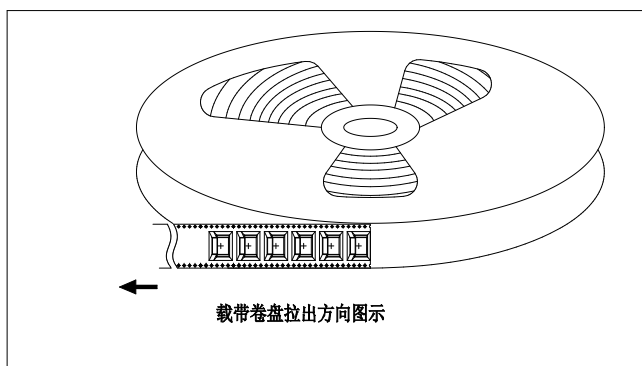
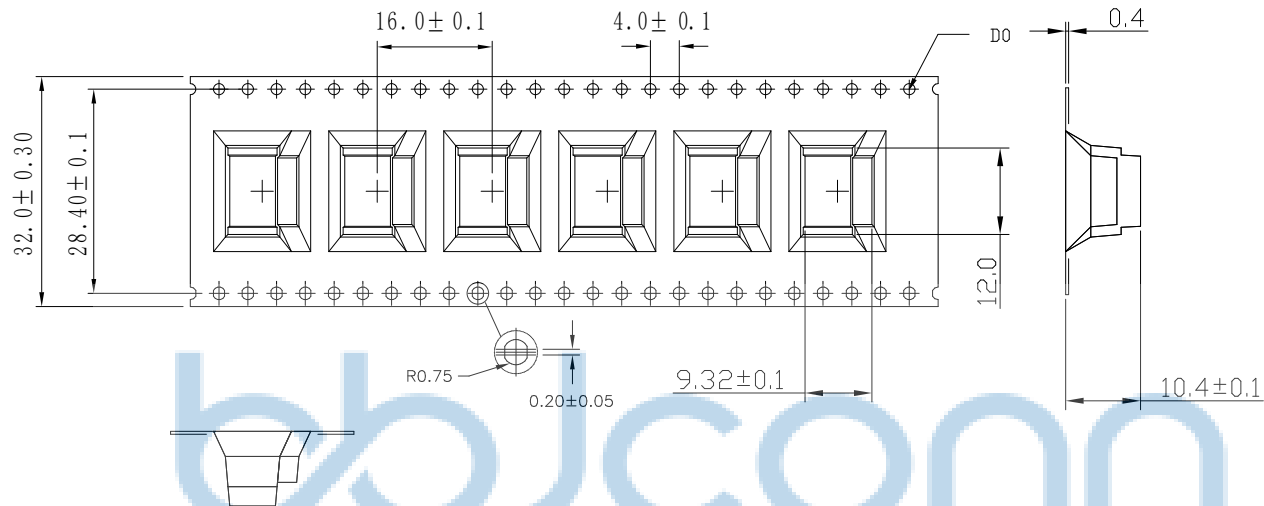
**深圳市步步精科技有限公司**

NAME: TYPE-C 24P 母座 直立式 H=9.05 六脚DIP 端子SMT LCP黑胶 编带 (UC23)

PJ. NO.: 126-224-240002-U4G  
SIZE: A4 DRW NO.:

FINISH: SEE NOTES MAT'L.: SEE NOTES  
SCALE: N/A REV.: A0 UNIT: mm PAGE: 1/2

APPD.	JM_Zheng
CHKD.	LYX
DR.	SGF



8	真空袋	8PCS	PE	455*380*0.12mm
7	纸箱	1PCS	K=K	350*350*340mm
6	三角纸板	4PCS	B=B	300*365*6.0mm
5	塑胶卷盘	3PCS	PS	φ330mm*32mm 蓝色
4	载带	3PCS	PS	载带(W=32mm P=16mm 6.7/卷 透明)
3	自粘式上带	3PCS	PC	W=25.5mm*200M/卷 透明色
2	保护带	3PCS	PS	W=32*330 T=0.3mm 黑色
1	防水袋	1PCS	PE	500*760mm
序号	名称	数量	材质	规格

THIS DOCUMENT IS THE SOLE PROPERTY OF BBJconn Technology Co.,Ltd. Corporation AND SHOULD NOT BE USED IN WHOLE OR IN PART WITHOUT PRIOR WRITTEN PERMISSION.  
PDWG.NO: 0470-1

**深圳市步步精科技有限公司**

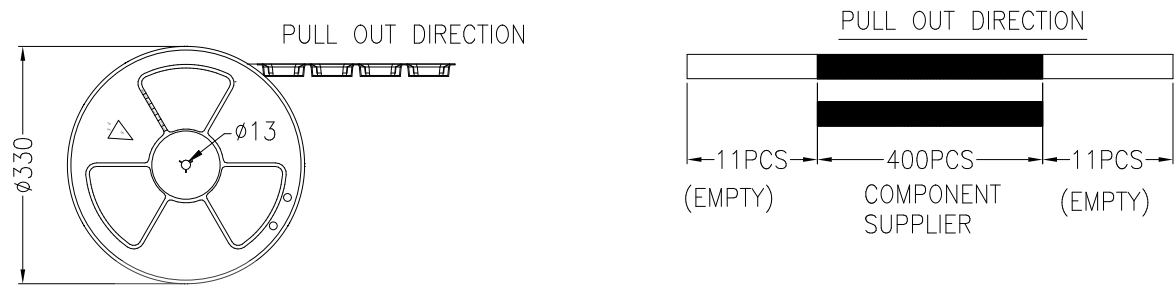
NAME: TYPE-C 24P 母座 直立式 H=9.05 六脚DIP 端子SMT LCP黑胶 编带 (UC23)

PJ. NO.: 126-224-240002-U4G  
SIZE: A4 DRW NO.:

FINISH: SEE NOTES MAT'L.: SEE NOTES  
SCALE: N/A REV.: A0 UNIT: mm PAGE: 2/3

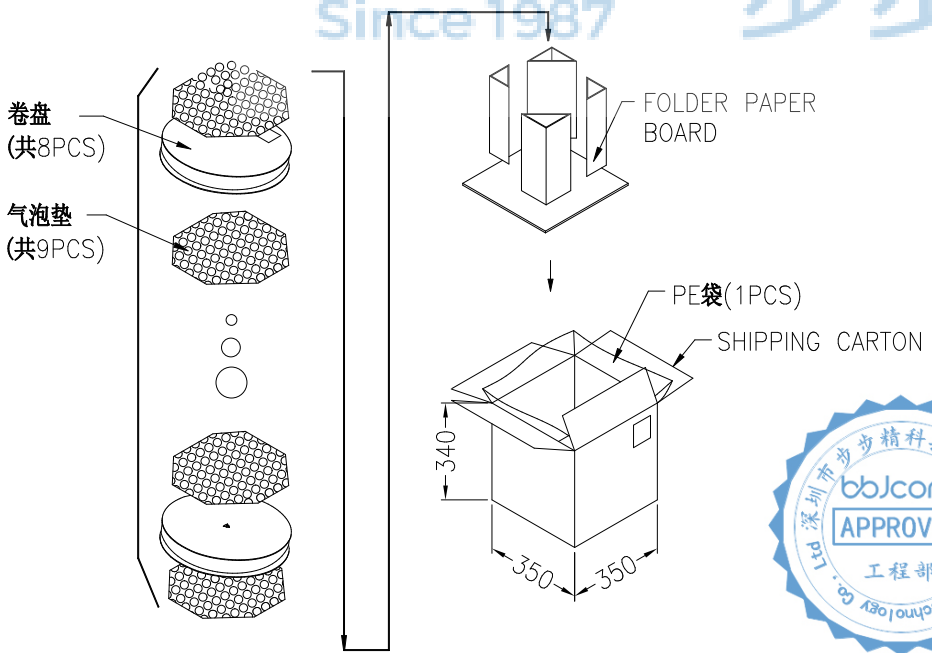
APPD.	JM_Zheng
CHKD.	LYX
DR.	SGF

REV.	ECN NO.	CONTENT	DATE	ENGINEER
AO		Initial release	/	SGF



包装方式:  
包装方式:

1. 使用半自动包装机, 先将CARRY TAPE 送入道轨中, 并与COVER TAPE 贴合在上面, 其中初始11PCS 空槽不要放产品, 然后将产品如图所示的方向依次放入CARRY TAPE内, 每槽各放1PCS, 每REEL共包装400PCS, 最后需留11PCS 空槽不放产品.
2. 用胶带将CARRY TAPE 贴在一起, 外围再用胶带缠绕一圈, 在REEL上贴专用标签, 贴标签后每盘产品需装真空袋抽真空;
3. 如图示, 在CARTON 底部先放1个PE袋, 接着再放1PCS气泡垫, 将已装好成品的REEL以LABEL朝上方式平放入CARTON中, 并且各REEL之间需放1PCS气泡垫, 然后在CARTON的四角放入折叠板, 再在REEL顶上放1PCS气泡垫.
4. 尾数箱需用填充物填充, 防止纸箱受力变形.
5. 内外纸箱均需用封箱胶封好箱口, 封箱必须是以"工"字型封箱, 先贴纵向长胶带, 再贴纵向两条胶带, 封箱后箱口的间隙在3mm内, 胶带口向下70~80mm;
6. 包装箱右上角贴专用出货 标签
7. 每盘装400PCS, 每箱装8盘, 共计3.2K产品.



THIS DOCUMENT IS THE SOLE PROPERTY OF BBJconn Technology Co., Ltd. Corporation AND SHOULD NOT BE USED IN WHOLE OR IN PART WITHOUT PRIOR WRITTEN PERMISSION.		<b>深圳市步步精科技有限公司</b> 工程 部 APPROVED	
PDWG.NO: 0470-1	DR. SGF	.X: ±0.38 .XX: ±0.25 .XXX: ±0.13 X': ±3' .X': ±2' .XX': ±1'	NAME: TYPE-C 24P 母座 直立式 H=9.05 六脚DIP 端子SMT LCP黑胶 编带 (UC23) P.J. NO.: 126-224-240002-U4G SIZE: A4 DRW NO.: FINISH: SEE NOTES MAT'L: SEE NOTES SCALE: N/A REV.: AO UNIT: mm PAGE: 3/3