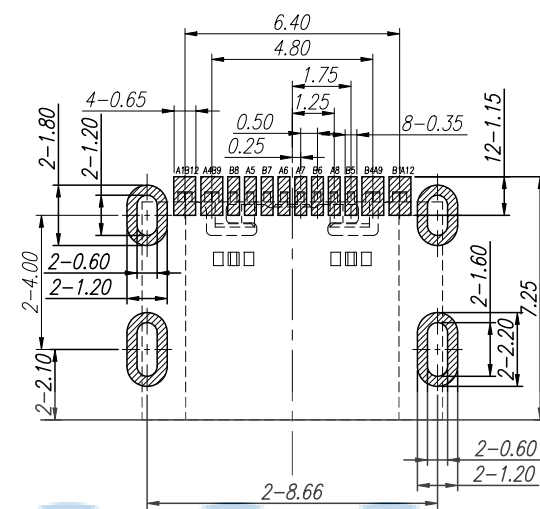
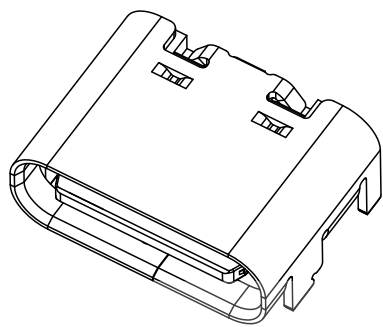
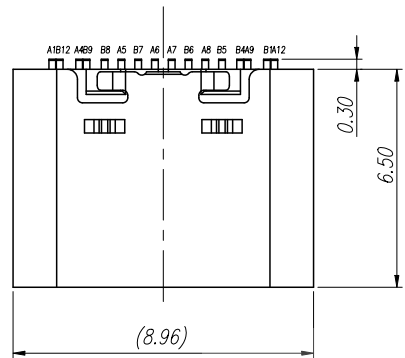
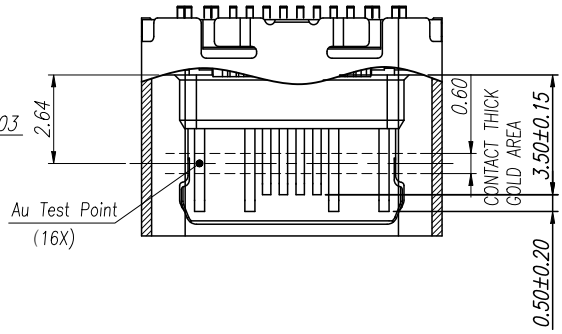
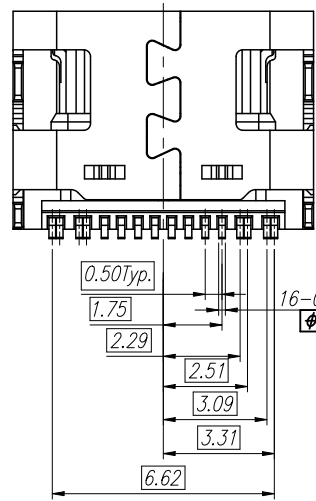
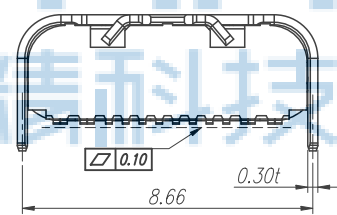
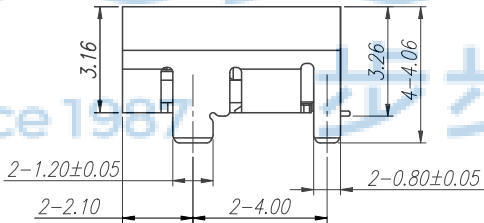
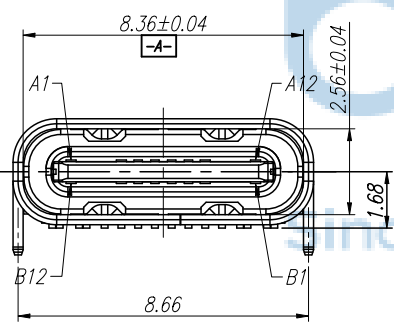


REV.	ECN NO.	CONTENT	DATE	ENGINEER
A0		Initial release	/	SGF



- SPECIFICATION:**
- ELECTRICAL CHARACTERISTICS:**
 - CURRENT RATING: 5A
 - TEMPERATURE RANGE: $-40^{\circ}\text{C} \sim 85^{\circ}\text{C}$
 - CONTACT RESISTANCE: 30 MILLIONHM MAX.
 - DIELECTRIC WITHSTANDING VOLTAGE: 100 VAC r.m.s
 - INSULATION RESISTANCE: 100 MEGOHMS MIN.
 - MECHANICAL CHARACTERISTICS**
 - INSERTION FORCE: 5~20N
 - EXTRACTION FORCE: Initial:8~20N,ATER TEST 6~20N
 - DURABILITY:10,000CYCLES
 - THE SHELL LENTH IS LESS THAN THE MINIMUM SPECIFIED BY THE USB TYPE C STANDARD.AS SUCH IS CONNOT INDENOENDENTLY BE GUARANTEED TO MEET ALL TYPE C MECHANICAL REQUIREMENTS.
 - SALT SPRAY: 48H.



PIN ASSIGNMENT												BLADE	SHELL
A1	A2	A3	A4	A5	A6	A7	A8	A9	X10	X11	A12		
GND	TX1+	TX1-	VBUS	CC1	D+	D-	SBU1	VBUS	RX2+	RX2-	GND		
GND	RX1+	RX1-	VBUS	SBU2	D+	D-	CC2	VBUS	TX2+	TX2-	GND	GND	GND
B12	B11	B10	B9	B8	B7	B6	B5	B4	B3	B2	B1		

NO.	DESCRIPTION	QTY.	MATERIAL	FINISHED
4	MID PLATE	1 PCS	SUS301	None
3	CONTACT	1 SET	C2680	Au & Ni Plated
2	MOLDING HOUSING	1 PCS	PA46	None
1	SHELL	1 PCS	SUS304	Ni Plated

THIS DOCUMENT IS THE SOLE PROPERTY OF BBJconn Technology Co.,Ltd. Corporation AND SHOULD NOT BE USED IN WHOLE OR IN PART WITHOUT PRIOR WRITTEN PERMISSION.

PDWG:NO: 0851-1

深圳市步步精科技有限公司

NAME: TYPE-C 16P 母座 板上四脚插 端 子C2680 镀金G-F 外壳 不锈钢304 PA46黑胶 L=6.50 CH=1.68 脚长0.8mm 编带

APPD.: JM_Zheng

CHKD.: LYX

DR.: SGF

PJ. NO.: 126-221-160024-M3G

SIZE: A4

DRW NO.:

FINISH: SEE NOTES

MAT'L.: SEE NOTES

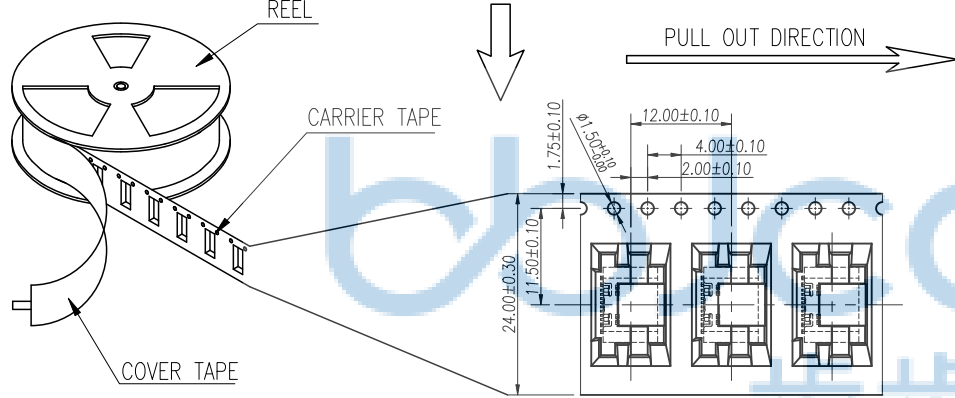
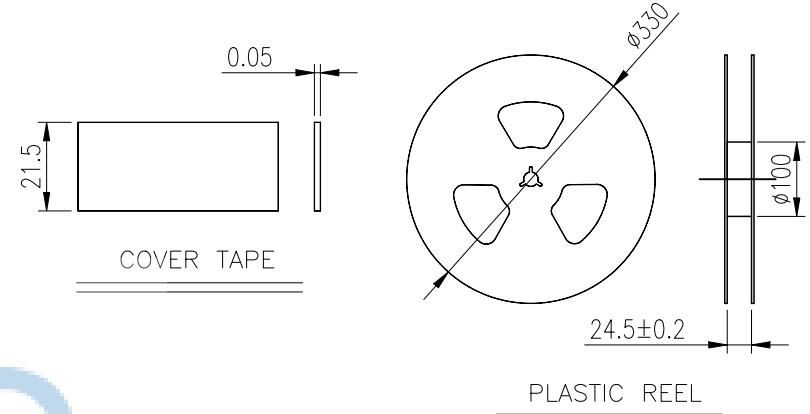
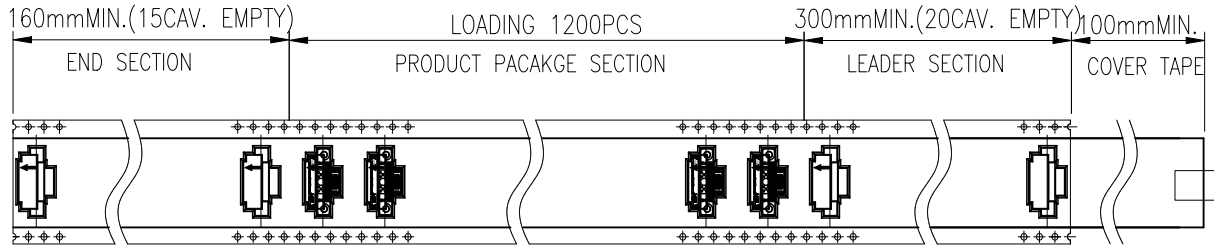
SCALE: N/A

REV.: A0

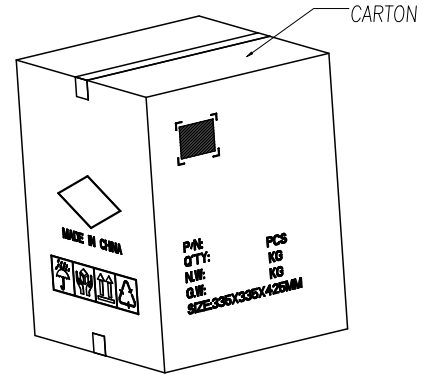
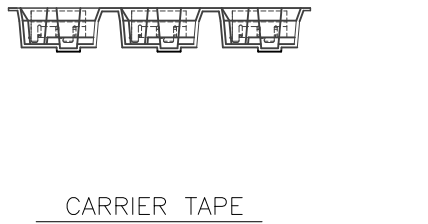
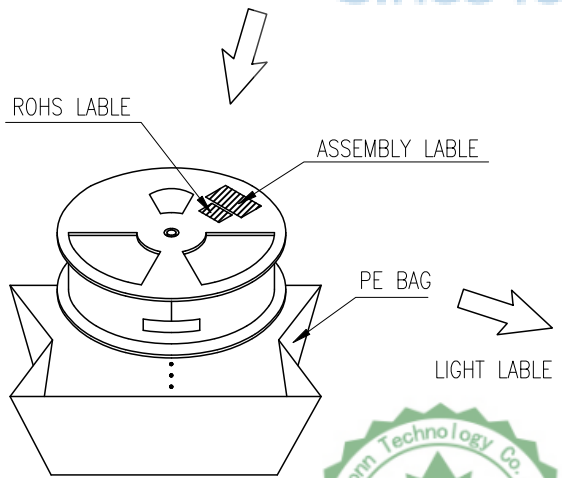
UNIT: mm

PAGE: 1/2

REV.	ECN NO	CONTENT	DATE	ENGINEER
AO		Initial release	/	SGF



- NOTES 2:
- MATERIAL:
 - 1.1 REEL AND AXLE: PS,BLUE
 - 1.2 CARRIER TAPE: PET, LUCID
 - 1.3 COVER TAPE: PS,TRANSPARENT
 - 1.4 SHIPPING CARTON: CORRUGATED FIBER
 - DIMENSION:
 - 2.1 REEL: W=24.5, φA=330
 - 2.2 CARRIER TAPE: T=0.30 W=24.0
 - 2.3 COVER TAPE: T=0.05 W=21.5
 - 2.4 SHIPPING CARTON: L=335mm, W=335mm, H=425mm
 - QUANTITY :
 - 3.1 PRIMAY PACKING: 1200PCS/REEL
 - 3.2 SECONARY PACKING: 12 REELS/CARTON(14400PCS/CARTON)
 - PEELING RESISTANCE: 0.1~1.3N
 - 4.1 PEELING SPEED: 300mm/minutes
 - 4.2 PEELING ANGLE: 165° ~180°



THIS DOCUMENT IS THE SOLE PROPERTY OF BBJconn Technology Co.,Ltd. Corporation AND SHOULD NOT BE USED IN WHOLE OR IN PART WITHOUT PRIOR WRITTEN PERMISSION.		深圳市步步精科技有限公司	
PDWG.NO: 0851-1		NAME: TYPE-C 16P 母座 板上四脚插 SMT 端子C2680 镀金G-F 外壳 不锈钢304 PA46黑胶 L=6.50 CH=1.68 脚长0.8mm 编带 APPD. JM_Zheng CHKD. LYX DR. SGF	
.X: ±0.38 .XX: ±0.25 .XXX: ±0.13 X': ±3' .X': ±2' .XX': ±1'		PJ. NO.: 126-221-160024-M3G SIZE: A4 DRW NO.: FINISH: SEE NOTES MAT'L.: SEE NOTES SCALE: N/A REV.: AO UNIT: mm PAGE: 2/2	