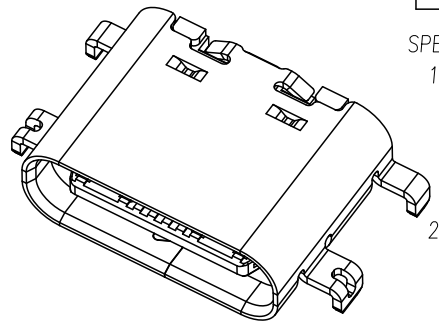


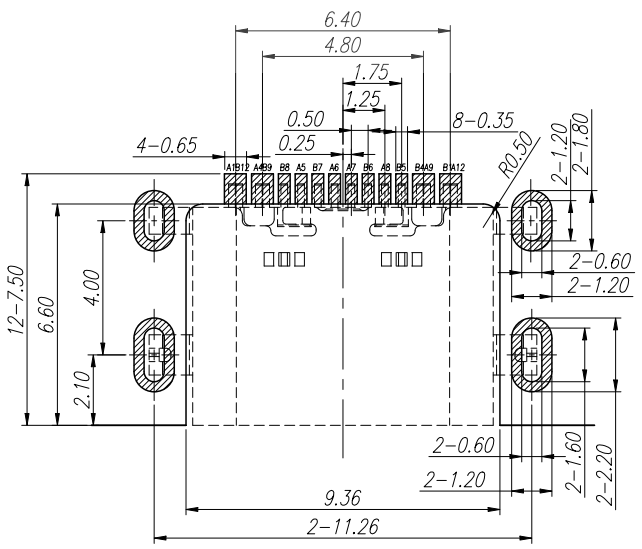
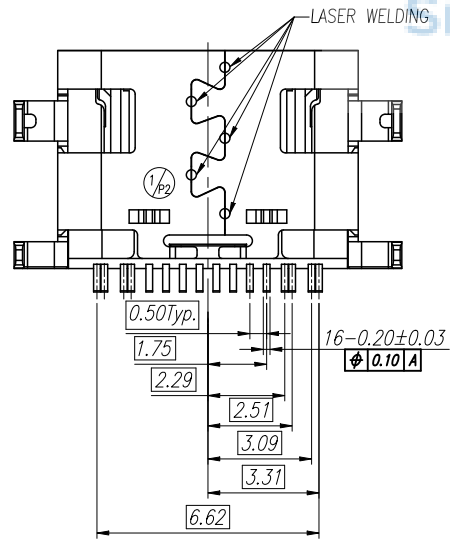
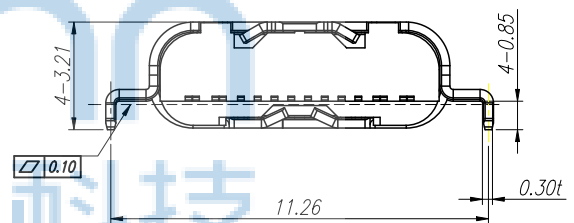
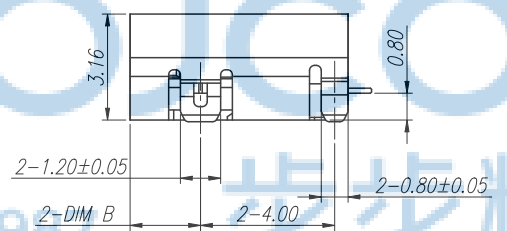
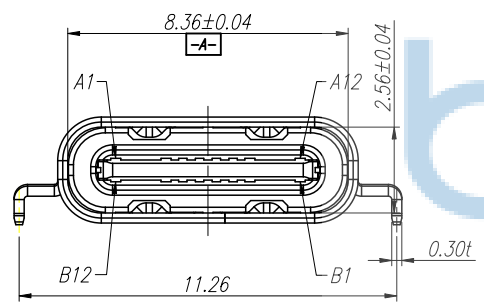
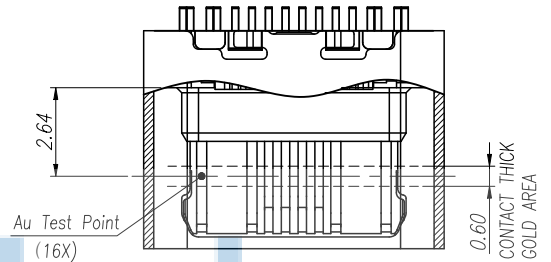
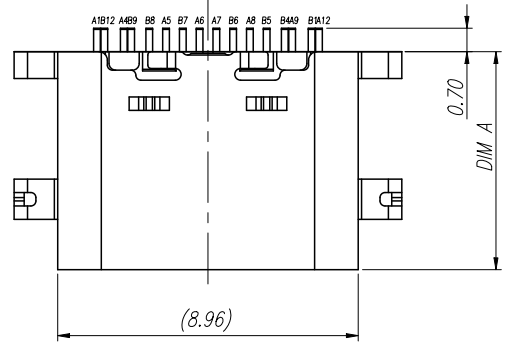


REV.	ECN NO	CONTENT	DATE	ENGINEER
A0		Initial release	/	SGF



SPECIFICATION:

1. ELECTRICAL CHARACTERISTICS:
 - 1.1 CURRENT RATING: 6 A
 - 1.2 TEMPERATURE RANGE: -40 °C ~ 85 °C
 - 1.3 CONTACT RESISTANCE: 30 MILLIONHM MAX.
 - 1.4 DIELECTRIC WITHSTANDING VOLTAGE: 100 VAC r.m.s
 - 1.5 INSULATION RESISTANCE: 100 MEGOHMS MIN.
2. MECHANICAL CHARACTERISTICS
 - 2.1 INSERTION FORCE: 5~20N
 - 2.2 EXTRACTION FORCE: Initial:8~20N, ATER TEST 6~20N
 - 2.3 DURABILITY: 10,000CYCLES
3. THE SHELL LENGTH IS LESS THAN THE MINIMUM SPECIFIED BY THE USB TYPE C STANDARD. AS SUCH IS CANNOT INDEPENDENTLY BE GUARANTEED TO MEET ALL TYPE C MECHANICAL REQUIREMENTS.



PIN ASSIGNMENT												BLADE	SHELL
A1	A2	A3	A4	A5	A6	A7	A8	A9	A10	A11	A12		
GND	TX1+	TX1-	VBUS	CC1	D+	D-	SBU1	VBUS	RX2-	RX2+	GND		
GND	RX1+	RX1-	VBUS	SBU2	D-	D+	CC2	VBUS	TX2-	TX2+	GND		
B12	B11	B10	B9	B8	B7	B6	B5	B4	B3	B2	B1		

NO.	DESCRIPTION	QTY.	MATERIAL	FINISHED
4	MID PLATE	1 PCS	SUS301	None
3	CONTACT	1 SET	C2680	Au & Ni Plated
2	MOLDING HOUSING	1 PCS	PA46	None
1	SHELL	1 PCS	SUS304	Ni Plated

THIS DOCUMENT IS THE SOLE PROPERTY OF BBJconn Technology Co., Ltd. Corporation AND SHOULD NOT BE USED IN WHOLE OR IN PART WITHOUT PRIOR WRITTEN PERMISSION.

PDWG.NO: 0851-1

深圳市步步精科技有限公司

NAME: TYPE-C 16P 母座 四脚插板 SMT 端子C2680 镀金G-F L=6.50 沉板0.80 不锈钢外壳304 PA46编带

APPD. JM_Zheng

CHKD. LYX

DR. SGF

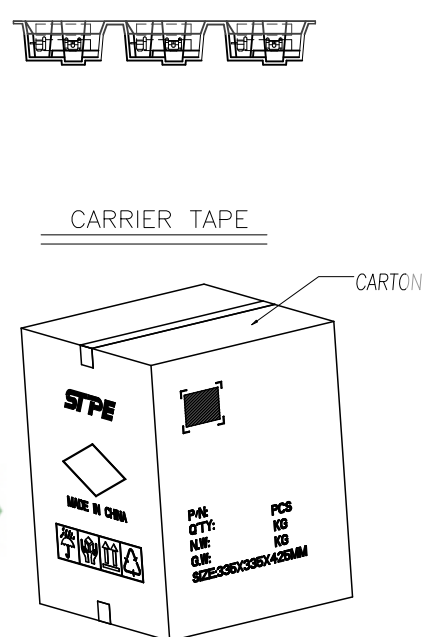
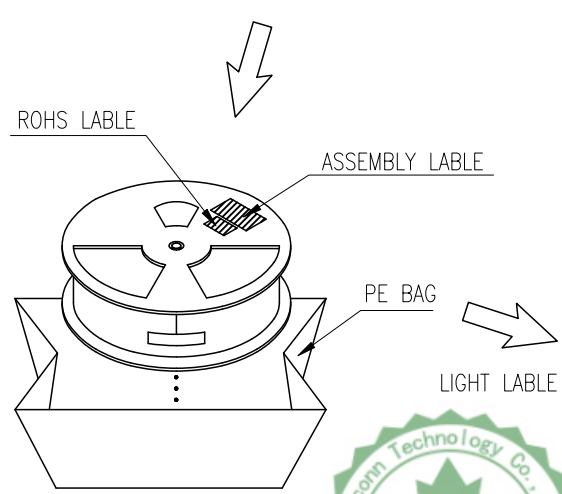
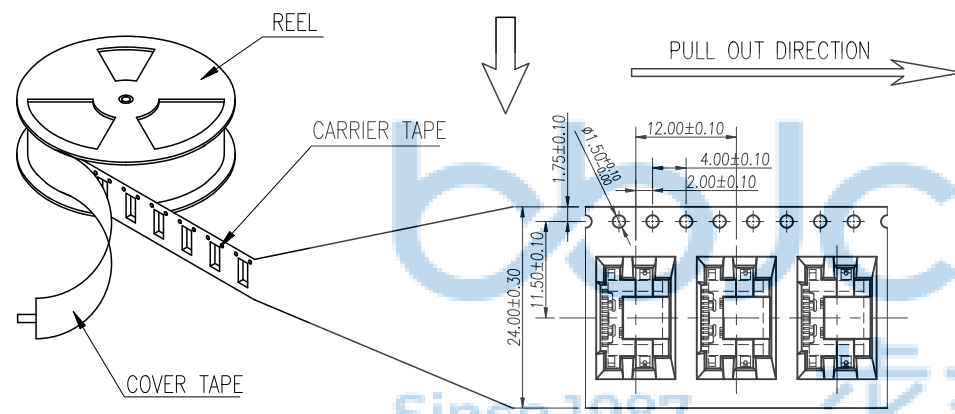
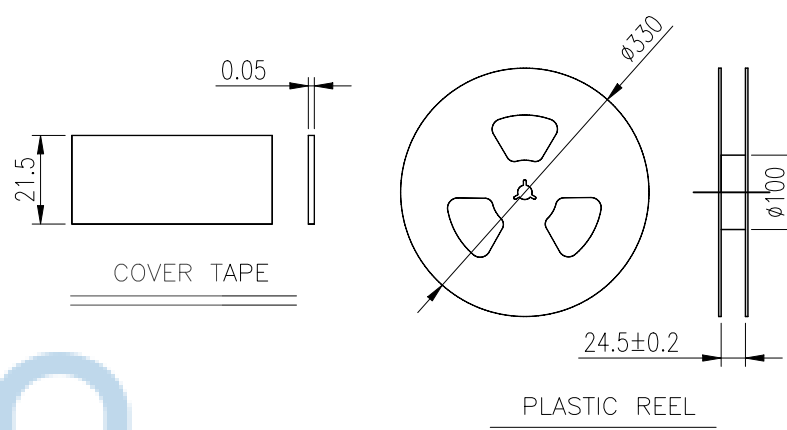
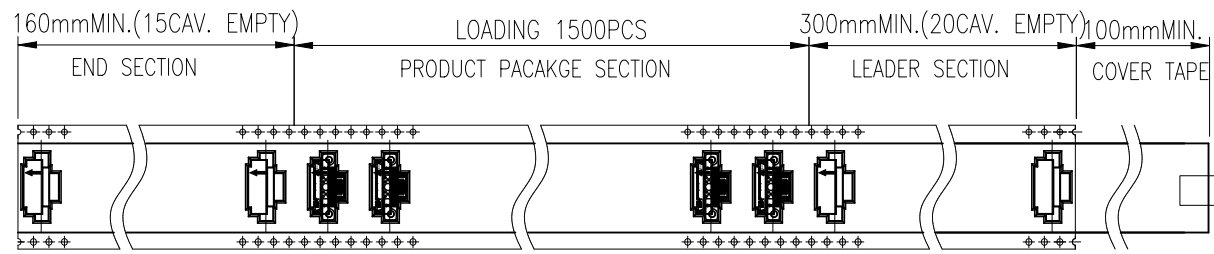
PJ. NO.: 126-221-160028-M3G

SIZE: A4 | DRW NO.:

FINISH: SEE NOTES | MAT'L.: SEE NOTES

SCALE: N/A | REV.: A0 | UNIT: mm | PAGE: 1/2

REV.	ECN NO	CONTENT	DATE	ENGINEER
A0		Initial release	/	SGF



- NOTES 2:
- MATERIAL:
 - REEL AND AXLE: PS,BLUE
 - CARRIER TAPE: PET, LUCID
 - COVER TAPE: PS,TRANSPARENT
 - SHIPPING CARTON: CORRUGATED FIBER
 - DIMENSION:
 - REEL: W=24.5, $\phi A=330$
 - CARRIER TAPE: T=0.30 W=24.0
 - COVER TAPE: T=0.05 W=21.5
 - SHIPPING CARTON: L=335mm, W=335mm, H=425mm
 - QUANTITY :
 - PRIMAY PACKING: 1500PCS/REEL
 - SECONARY PACKING: 10 REELS/CARTON(15000PCS/CARTON)
 - PEELING RESISTANCE: 0.1~1.3N
 - PEELING SPEED: 300mm/minutes
 - PEELING ANGLE: 165° ~180°



THIS DOCUMENT IS THE SOLE PROPERTY OF BBJconn Technology Co.,Ltd.		深圳市步步精科技有限公司	
Corporation AND SHOULD NOT BE USED IN WHOLE OR IN PART WITHOUT PRIOR WRITTEN PERMISSION.		NAME: TYPE-C 16P 母座 四脚插板 SMT 端子C2680 镀金G-F L=6.50 沉板0.80 不锈钢外壳304 PA46编带	APPD. JM_Zheng
PDWG.NO: 0851-1	DR. SGF	PJ. NO.: 126-221-160028-M3G	SIZE: A4
		FINISH: SEE NOTES	MAT'L.: SEE NOTES
		SCALE: N/A	REV.: A0
		UNIT: mm	PAGE: 2/2