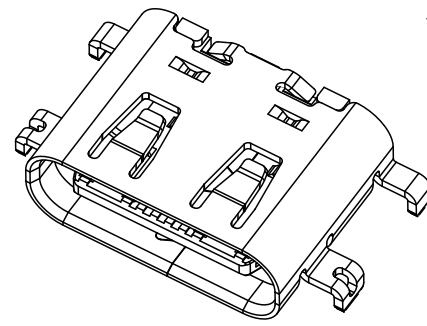
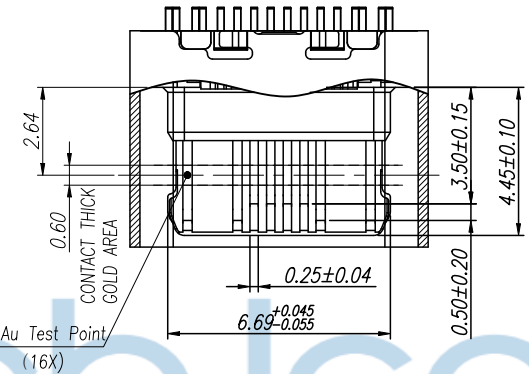
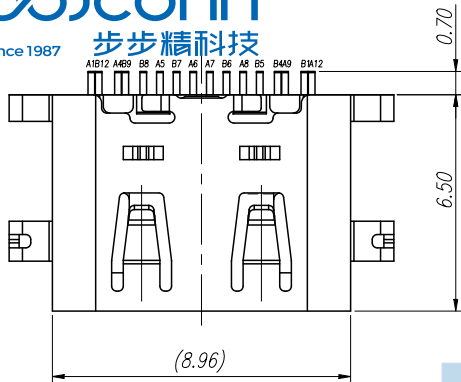
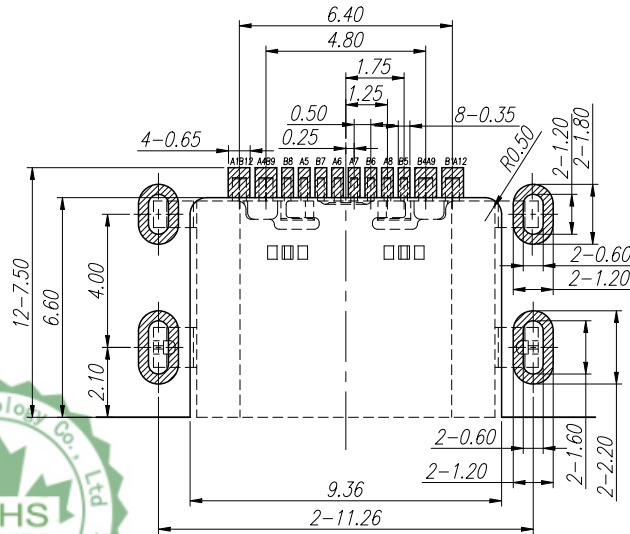
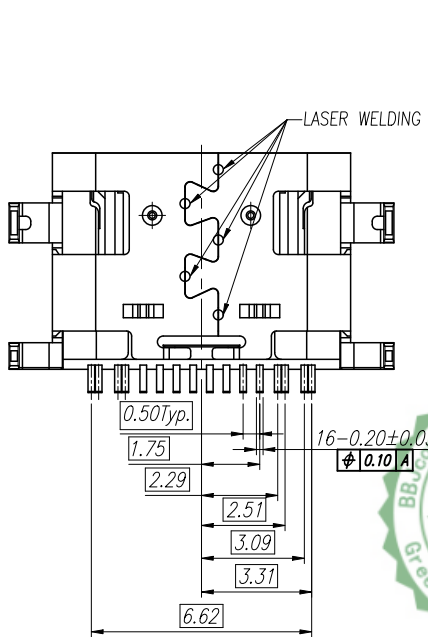
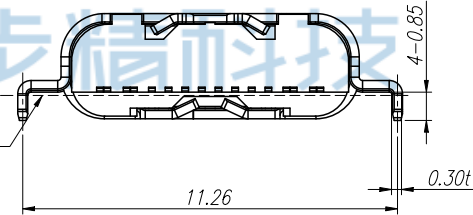
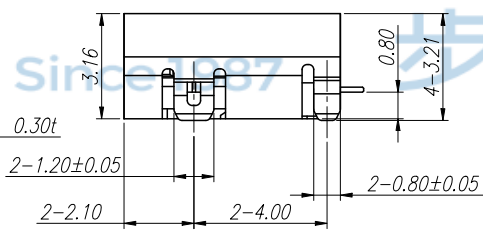
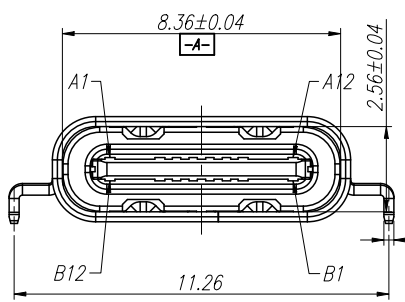


REV.	ECN NO	CONTENT	DATE	ENGINEER
AO		Initial release	/	SGF



- SPECIFICATION:
- ELECTRICAL CHARACTERISTICS:
    - CURRENT RATING: 5A
    - TEMPERATURE RANGE: -40 °C ~ 85 °C
    - CONTACT RESISTANCE: 30 MILLIONHM MAX.
    - DIELECTRIC WITHSTANDING VOLTAGE: 100 VAC r.m.s
    - INSULATION RESISTANCE: 100 MEGOHMS MIN.
  - MECHANICAL CHARACTERISTICS
    - INSERTION FORCE: 5~20N
    - EXTRACTION FORCE: Initial:8~20N,ATER TEST 6~20N
    - DURABILITY:10,000CYCLES
  - THE SHELL LENTH IS LESS THAN THE MINIMUM SPECIFIED BY THE USB TYPE C STANDARD.AS SUCH IS CONNOT INDENOENDENTLY BE GUARANTEED TO MEET ALL TYPE C MECHANICAL REQUIREMENTS.



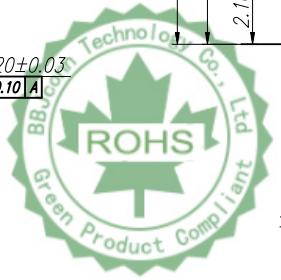
P.C.B LAYOUT VIEW TOLERANCE ±0.05

TABLE A

DIM A	DIM B
6.50	2.10
6.90	2.50

PIN ASSIGNMENT												BLADE	SHELL	
A1	A2	A3	A4	A5	A6	A7	A8	A9	A10	A11	A12			
GND	TX1+	TX1-	VBUS	CC1	D+	D-	SBU1	VBUS	TX2+	TX2-	GND			
GND	B12	B11	B10	B9	B8	B7	B6	B5	B4	B3	B2	B1	GND	GND

NO.	DESCRIPTION	QTY.	MATERIAL	FINISHED
4	MID PLATE	1 PCS	STAINLESS STEEL	None
3	CONTACT	1 SET	COPPER ALLOY	Au & Ni Plated
2	MOLDING HOUSING	1 PCS	PLASTIC	None
1	SHELL	1 PCS	STAINLESS STEEL	Ni Plated



THIS DOCUMENT IS THE SOLE PROPERTY OF  
bbJconn Technology Co., Ltd.  
Corporation AND SHOULD NOT BE USED IN WHOLE OR IN PART WITHOUT PRIOR WRITTEN PERMISSION.

PDWG.NO: 0851-1

深圳市步步精科技有限公司

NAME: TYPE-C 16P 母座 四脚插板 SMT L=6.50 沉板0.80 不锈钢外壳带弹304 编带

APPD. JM\_Zheng

CHKD. YAN

DR. LYX

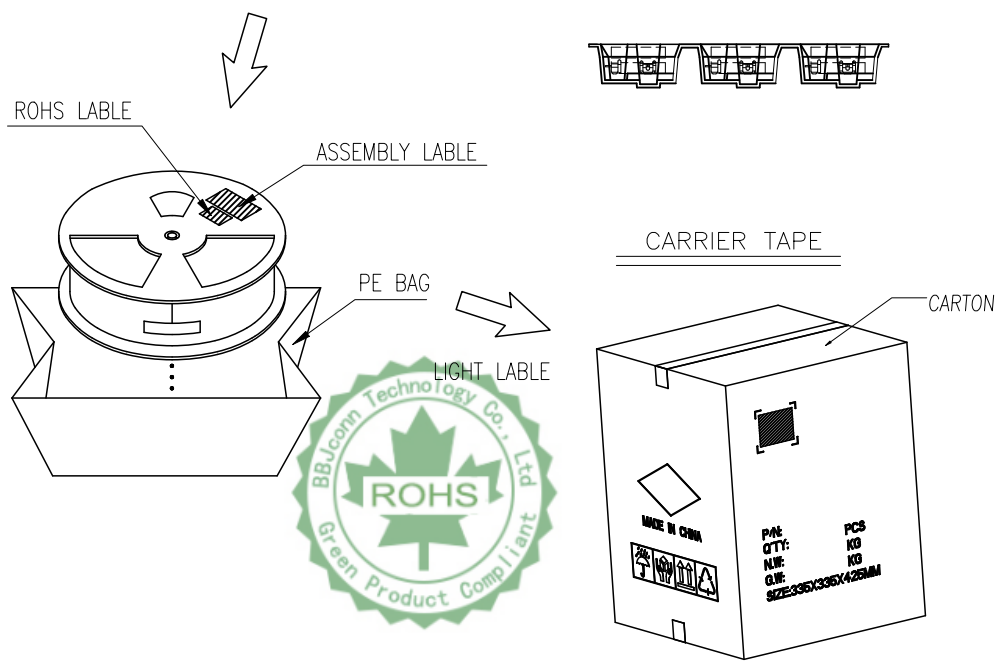
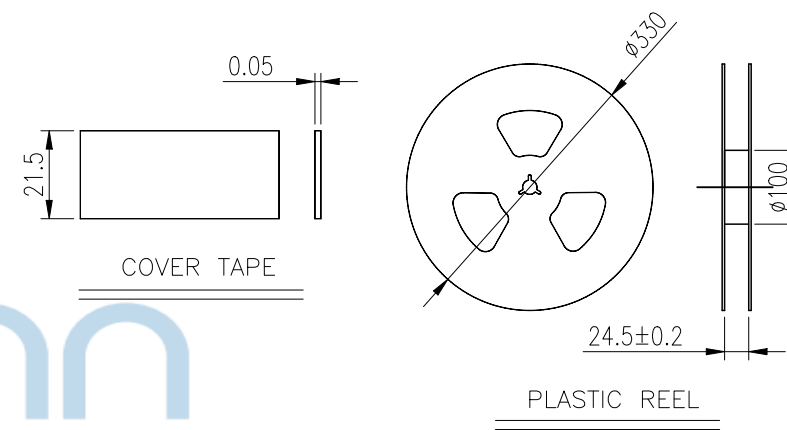
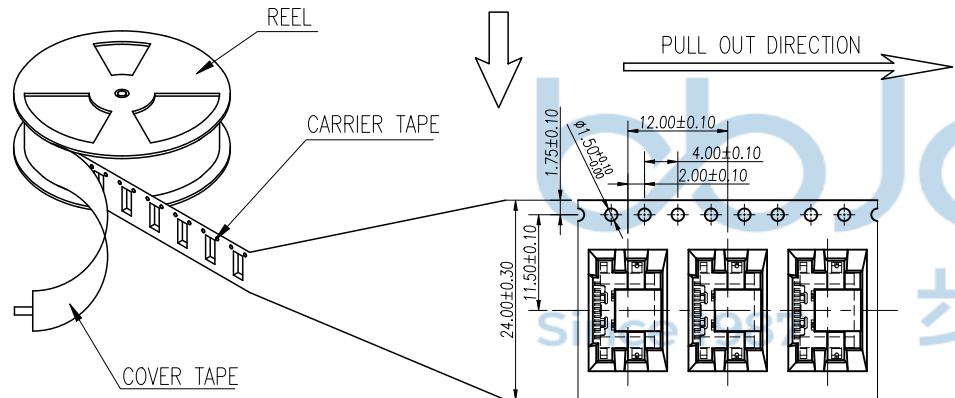
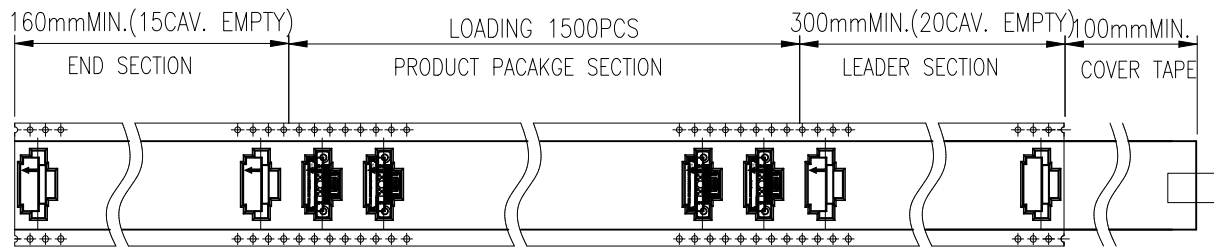
PJ. NO.: 126-221-160037-M3G

SIZE: A4 DRW NO.:

FINISH: SEE NOTES MAT'L.: SEE NOTES

SCALE: N/A REV.: AO UNIT: mm PAGE: 1/2

REV.	ECN NO	CONTENT	DATE	ENGINEER
AO		Initial release	/	SGF



- NOTES 2:
- MATERIAL:
    - 1.1 REEL AND AXLE: PS,BLUE
    - 1.2 CARRIER TAPE: PET, LUCID
    - 1.3 COVER TAPE: PS,TRANSPARENT
    - 1.4 SHIPPING CARTON: CORRUGATED FIBER
  - DIMENSION:
    - 2.1 REEL: W=24.5,  $\phi A=330$
    - 2.2 CARRIER TAPE: T=0.30 W=24.0
    - 2.3 COVER TAPE: T=0.05 W=21.5
    - 2.4 SHIPPING CARTON: L=335mm, W=335mm, H=425mm
  - QUANTITY :
    - 3.1 PRIMAY PACKING: 1500PCS/REEL
    - 3.2 SECONARY PACKING: 12 REELS/CARTON(18000PCS/CARTON)
  - PEELING RESISTANCE: 0.1~1.3N
    - 4.1 PEELING SPEED: 300mm/minutes
    - 4.2 PEELING ANGLE: 165° ~180°



THIS DOCUMENT IS THE SOLE PROPERTY OF BBJconn Technology Co.,Ltd. Corporation AND SHOULD NOT BE USED IN WHOLE OR IN PART WITHOUT PRIOR WRITTEN PERMISSION.		<b>深圳市步步精科技有限公司</b>	
.X: ±0.38    .X': ±3' .XX: ±0.25    .X'': ±2' .XXX: ±0.13    .X'': ±1'		NAME:	TYPE-C 16P 母座 四脚插板 SMT L=6.50 沉板0.80 不锈钢外壳带弹304 编带
APPD.	JM_Zheng	PJ. NO.: 126-221-160037-M3G SIZE: A4   DRW NO.:	FINISH: SEE NOTES    MAT'L.: SEE NOTES
CHKD.	YAN		SCALE: N/A    REV.: AO    UNIT: mm    PAGE: 2/2
PDWG.NO:	0851-1	DR.	LYX