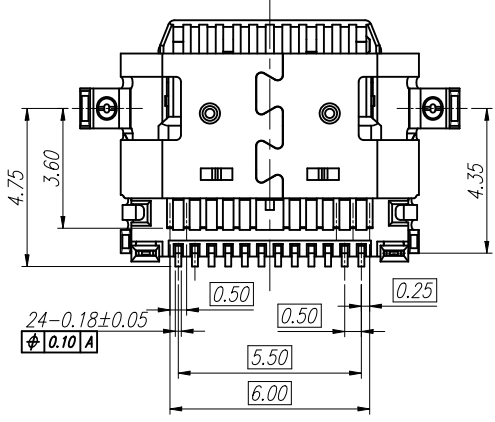
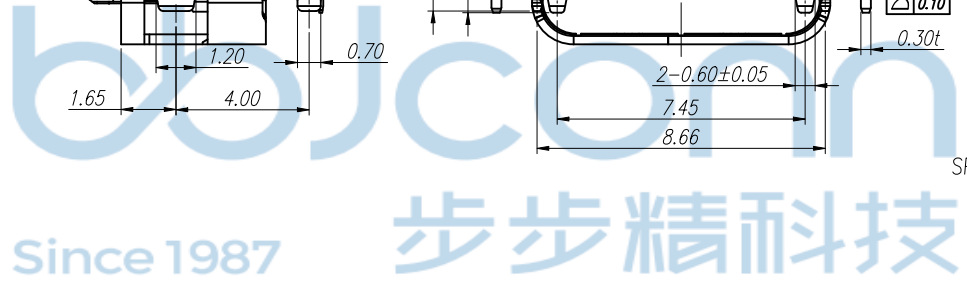
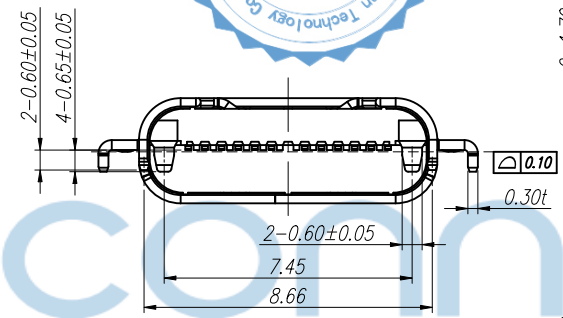
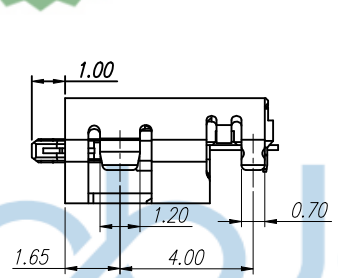
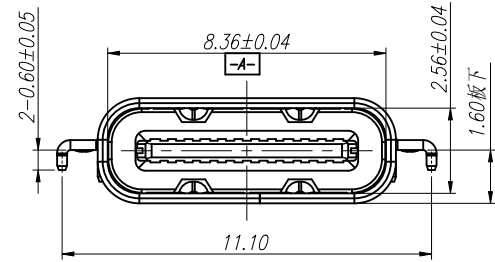
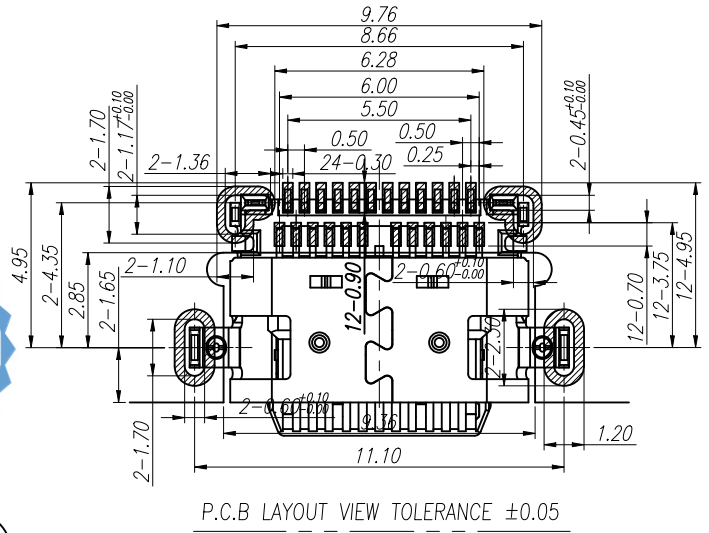
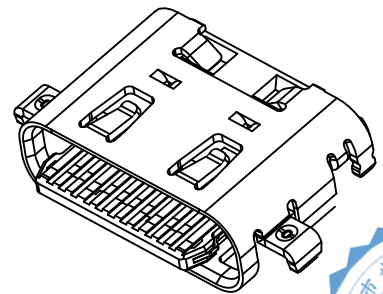
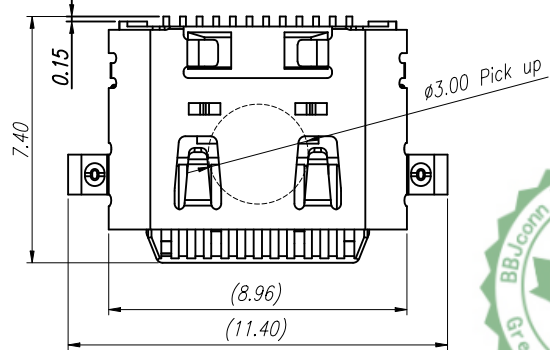


REV.	ECN NO	CONTENT	DATE	ENGINEER
A0		Initial release	/	LYL



5	OUT_SHELL	1 PCS	STAINLESS STEEL	Ni Plated
4	MID PLATED	1 SET	STAINLESS STEEL	Ni Plated
3	CONTACT 1&2	1 SET	COPPER ALLOY	Au & Ni Plated
2	IM HOUSING	1 PCS	H.T.PLASTIC	None
1	SHELL	1 PCS	STAINLESS STEEL	Ni Plated
NO.	DESCRIPTION	QTY.	MATERIAL	FINISHED

SPECIFICATION:

- ELECTRICAL CHARACTERISTICS:
 - CURRENT RATING: 5 A
 - TEMPERATURE RANGE: -40 °C ~ 85 °C
 - CONTACT RESISTANCE: 30 MILLIONHM MAX.
 - DIELECTRIC WITHSTANDING VOLTAGE: 100 VAC r.m.s
 - INSULATION RESISTANCE: 100 MEGOHMS MIN.
- MECHANICAL CHARACTERISTICS
 - INSERTION FORCE: 5~20N
 - EXTRACTION FORCE: Initial:8~20N,ATER TEST 6~20N
 - DURABILITY:10,000CYCLES
- THE SHELL LENTH IS LESS THAN THE MINIMUM SPECIFIED BY THE USB TYPE C STANDARD,AS SUCH IS CANNOT INDEPENDENTLY BE GUARANTEED TO MEET ALL TYPE C MECHANICAL REQUIREMENTS.

PIN ASSIGNMENT												BLADE	SHELL
A1	A2	A3	A4	A5	A6	A7	A8	A9	A10	A11	A12		
GND	TX1+	TX1-	VBUS	CC1	D+	D-	SBU1	VBUS	RX2-	RX2+	GND		
GND	RX1+	RX1-	VBUS	SBU2	D-	D+	CC2	VBUS	TX2-	TX2+	GND	GND	GND
B12	B11	B10	B9	B8	B7	B6	B5	B4	B3	B2	B1		

THIS DOCUMENT IS THE SOLE PROPERTY OF BBJconn Technology Co.,Ltd. Corporation AND SHOULD NOT BE USED IN WHOLE OR IN PART WITHOUT PRIOR WRITTEN PERMISSION.

PDWG:NO: 0851-1

DR. LYL

APPD. JM_Zheng

CHKD. LYX

NAME: TYPE-C 24P 母座 四脚插 端子双排SMT 沉板1.60 舌片外漏1.0 L=6.25 CH=0.02 (外壳脚长0.60) 编带

PJ. NO.: 126-221-240012-M3G

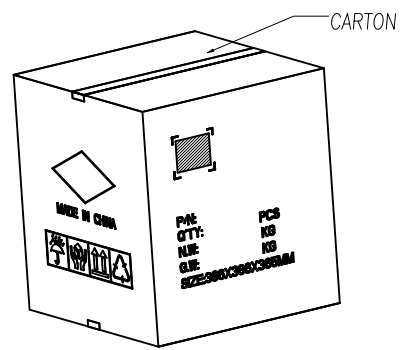
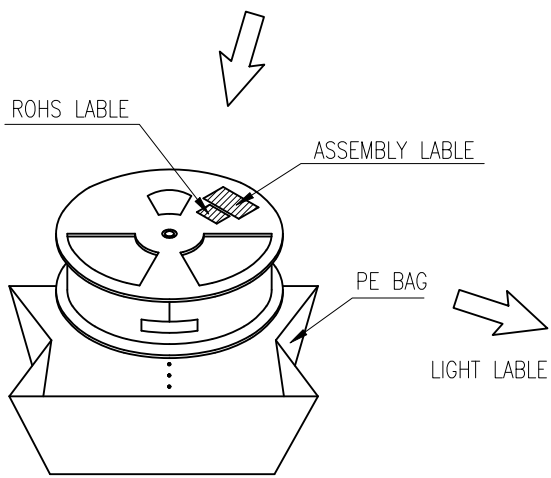
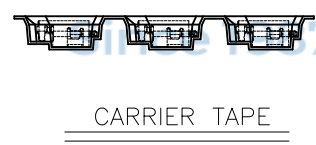
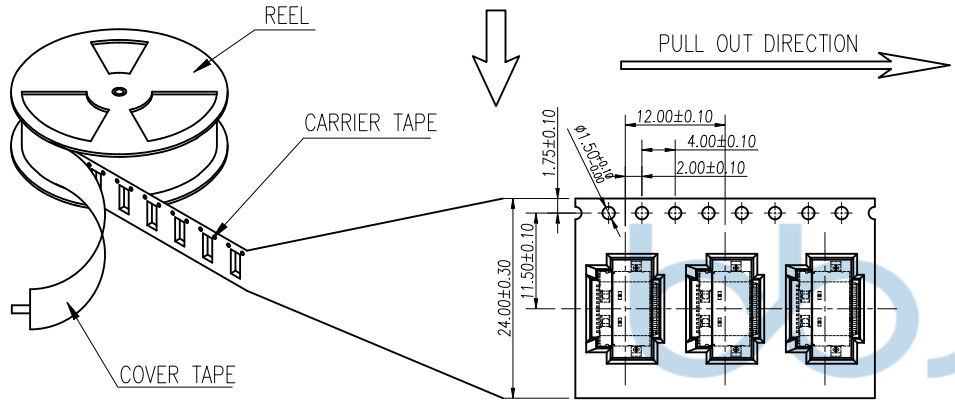
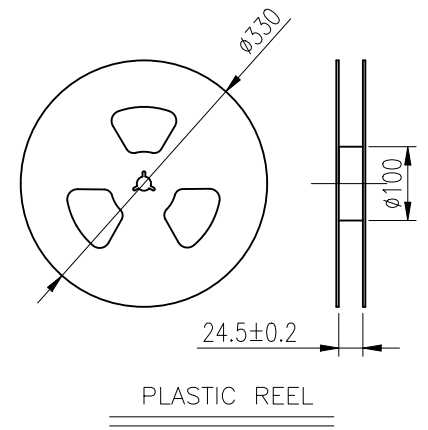
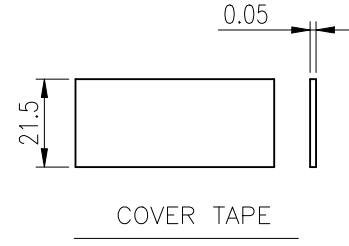
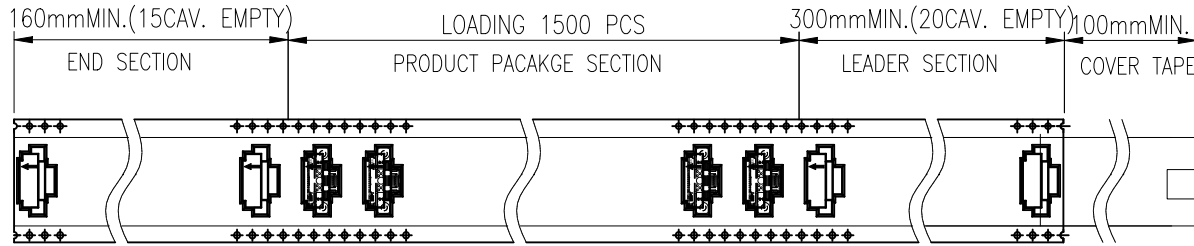
SIZE: A4 DRW NO.:

FINISH: SEE NOTES MAT'L.: SEE NOTES

SCALE: N/A REV.: A0 UNIT: mm PAGE: 1/2

深圳市步步精科技有限公司

REV.	ECN NO	CONTENT	DATE	ENGINEER
A0		Initial release	/	LYL



- NOTES 2:
- MATERIAL:
 - 1.1 REEL AND AXLE: PS,BLUE
 - 1.2 CARRIER TAPE: PET, LUCID
 - 1.3 COVER TAPE: PS,TRANSPARENT
 - 1.4 SHIPPING CARTON: CORRUGATED FIBER
 - DIMENSION:
 - 2.1 REEL: W=24.5, φA=330
 - 2.2 CARRIER TAPE: T=0.30 W=24.0
 - 2.3 COVER TAPE: T=0.05 W=21.5
 - 2.4 SHIPPING CARTON: L=335mm, W=335mm, H=365mm
 - QUANTITY :
 - 3.1 PRIMAY PACKING: 1500 PCS/REEL
 - 3.2 SECONDARY PACKING: 12 REELS/CARTON(18000 PCS/CARTON)
 - PEELING RESISTANCE: 0.1~1.3N
 - 4.1 PEELING SPEED: 300mm/minutes
 - 4.2 PEELING ANGLE: 165° ~180°



THIS DOCUMENT IS THE SOLE PROPERTY OF BBJconn Technology Co.,Ltd. Corporation AND SHOULD NOT BE USED IN WHOLE OR IN PART WITHOUT PRIOR WRITTEN PERMISSION.		深圳市步步精科技有限公司	
PDWG.NO: 0851-1 APPD. JM_Zheng CHKD. LYX DR. LYL		NAME: TYPE-C 24P 母座 四脚插 端子双排SMT 沉板1.60 舌片外漏1.0 L=6.25 CH=0.02 (外壳脚长0.60) 编带 PJ. NO.: 126-221-240012-M3G SIZE: A4 DRW NO.: FINISH: SEE NOTES MAT'L.: SEE NOTES SCALE: N/A REV.: A0 UNIT: mm PAGE: 2/2	