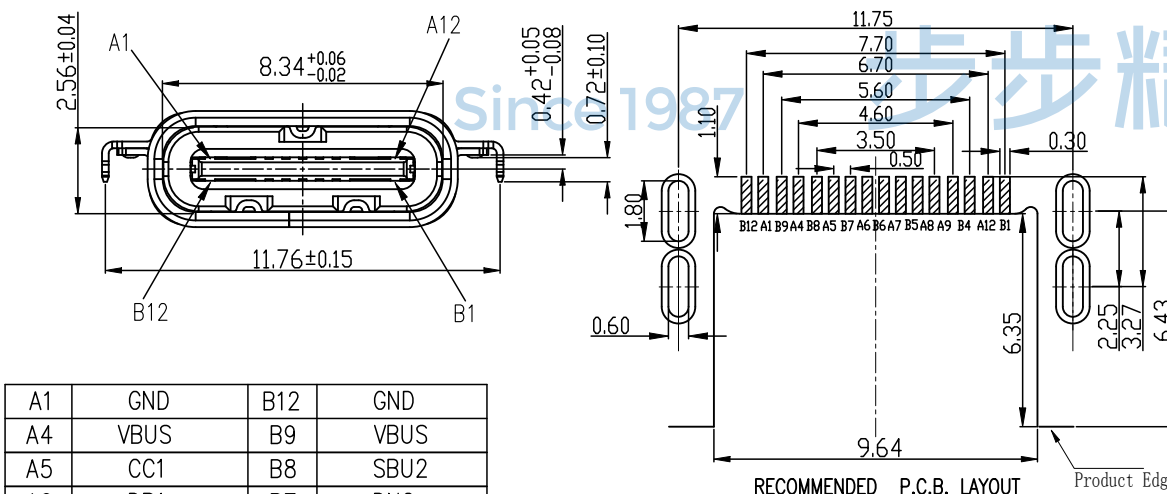
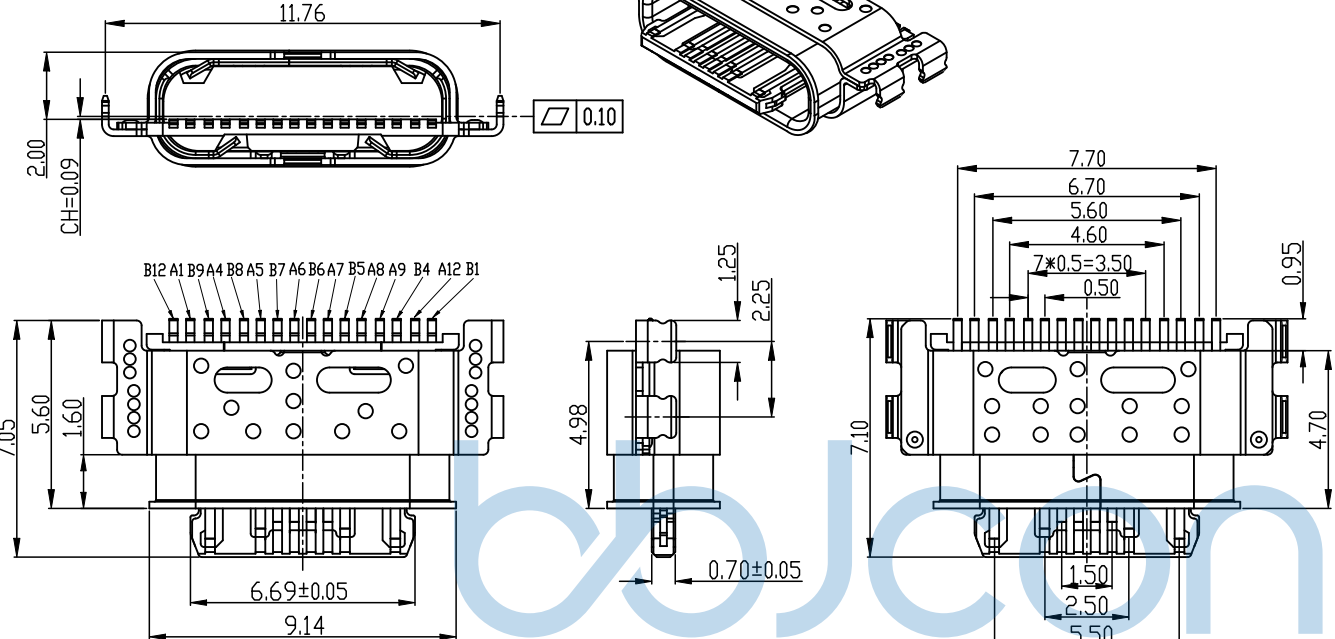


REV.	ECN NO	CONTENT	DATE	ENGINEER
A0		Initial release	/	TSP



A1	GND	B12	GND
A4	VBUS	B9	VBUS
A5	CC1	B8	SBU2
A6	DP1	B7	DN2
A7	DN1	B6	DP2
A8	SBU1	B5	CC2
A9	VBUS	B4	VBUS
A12	GND	B1	GND
PIN	SIGNAL NAME	PIN	SIGNAL NAME

- 备注:
1. 材质:
 - 1.1 胶芯: PA9T UL94V-0
 - 1.2 端子: C2680, T=0.25mm; 镍底40U" MIN, 接触区域镀金 (AU 1u") 焊接区镀镀金G/F
 - 1.3 外壳: SUS304, T=0.20mm; 表面镀镍50U" MIN; 焊接区镀镀金G/F
 - 1.4 中夹片: SUS301, T=0.20mm;
 2. 主要特性:
 - 2.1 额定电流: 5.0A
 - 2.2 接触阻抗: 40mΩ MAX (初始值) 50mΩ MAX (测试后)
 - 2.3 绝缘阻抗: 100MΩ MIN
 - 2.4 耐压测试: 100V AC R. M. S.
 - 2.6 整体插入力: 5-20N 整体插入力: 5-20N (耐久后) 整体拔出力: 8-20N 整体拔出力: 6-20N (耐久后)
 - 2.7 耐久: 10000次
 - 2.8 耐高温: SMT回流焊 (峰值260° ±5°), 塑胶不能有起泡, 融胶等不良, 变色, 翘曲变形在公差范围以内;
 - 2.9 产品须做焊锡测试, 粘锡面积达到95%以上;
 - 3.0 盐雾测试: 24H MIN
 - 3.1 工作温度: -30℃ ~ +85℃



THIS DOCUMENT IS THE SOLE PROPERTY OF BBJconn Technology Co., Ltd. Corporation AND SHOULD NOT BE USED IN WHOLE OR IN PART WITHOUT PRIOR WRITTEN PERMISSION.

PDWG.NO: 0851-1

APPD. JM_Zheng

CHKD. LYX

DR. TSP

NAME: TYPE-C 16P 母座 双壳 四脚插 端子SMT 沉板2.0 L=5.60 CH=0.09 舌片外漏1.45 编带

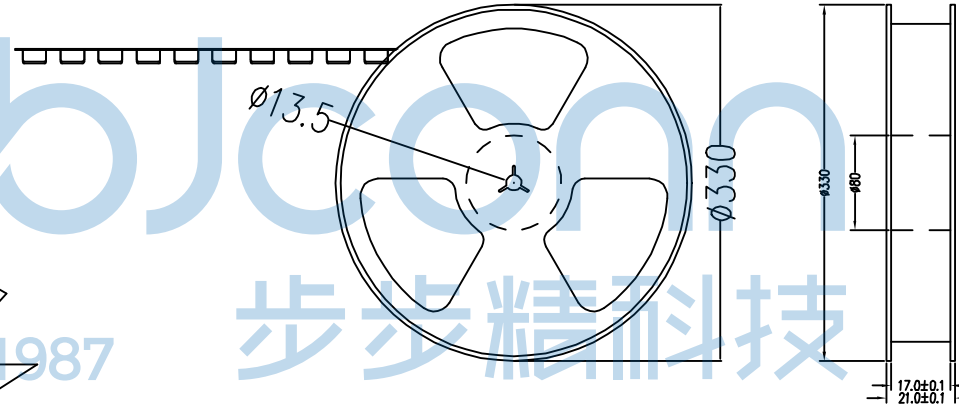
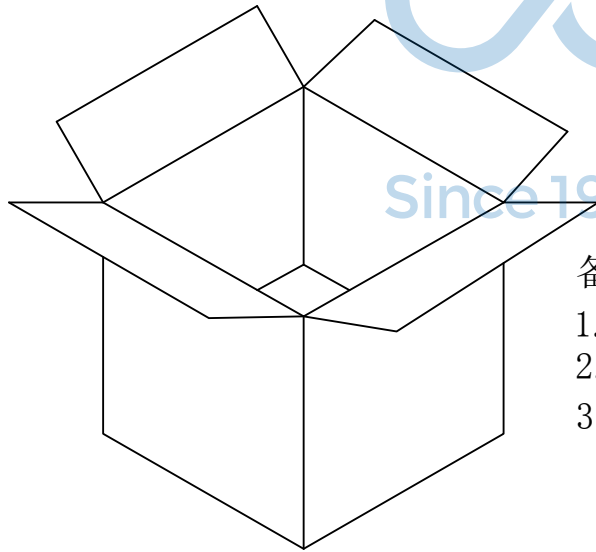
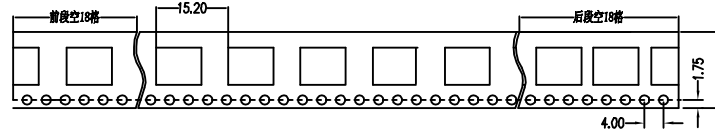
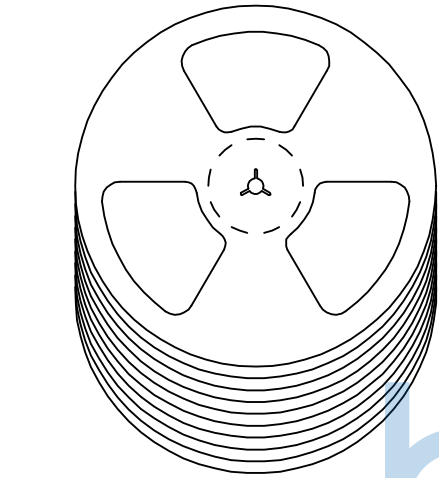
PJ. NO.: 126-221-160049-M3G

SIZE: A4 DRW NO.:

FINISH: SEE NOTES MAT'L.: SEE NOTES

SCALE: N/A REV.: A0 UNIT: mm PAGE: 1/2

深圳市步步精科技有限公司



备注:

1. 包装数量: 1500/PCS/卷, 10卷/箱。
2. 包装袋长度: 每卷前后各空10-20个空格, 中间包装。
3. 材质:
载体: 聚丙烯 (PS),
上带: 聚乙烯 (PET),
卷盘: 聚苯乙烯。

纸箱规格: 345*345*23MM

纸箱规格: 345*345*35MM

THIS DOCUMENT IS THE SOLE PROPERTY OF BBJconn Technology Co.,Ltd. Corporation AND SHOULD NOT BE USED IN WHOLE OR IN PART WITHOUT PRIOR WRITTEN PERMISSION.		深圳市步步精科技有限公司	
.X: ±0.38 .XX: ±0.25 .XXX: ±0.13		.X': ±3' .X'': ±2' .X'X': ±1'	
APPD.	JM_Zheng	NAME: TYPE-C 16P 母座 双壳 四脚插 端子SMT 沉板2.0 L=5.60 CH=0.09 舌片外漏1.45 编带	
CHKD.	LYX	PJ. NO.: 126-221-160049-M3G	
DR.	TSP	SIZE: A4 DRW NO.:	
PDWG.NO: 0851-1		FINISH: SEE NOTES MAT'L.: SEE NOTES	
		SCALE: N/A REV.: A0 UNIT: mm PAGE: 2/2	