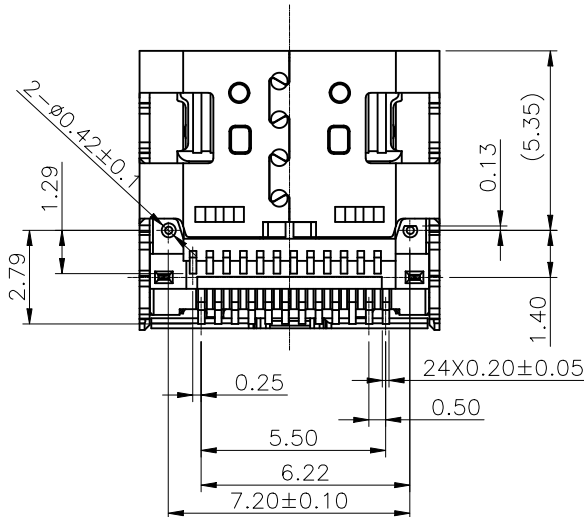
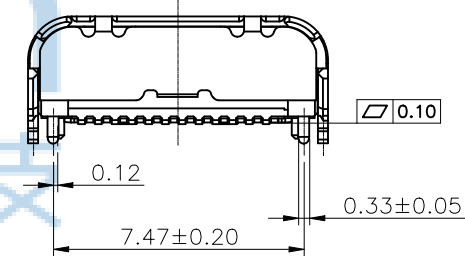
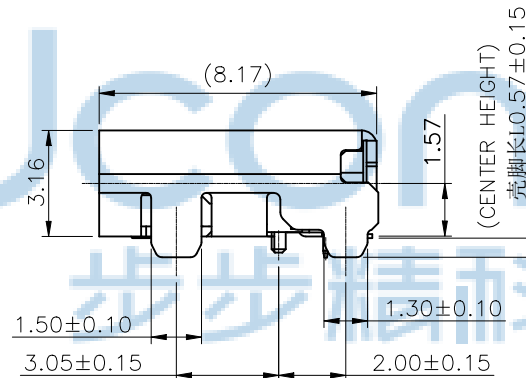
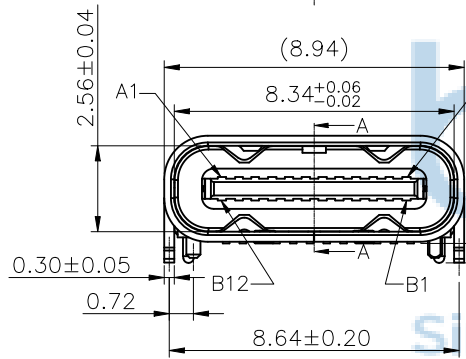
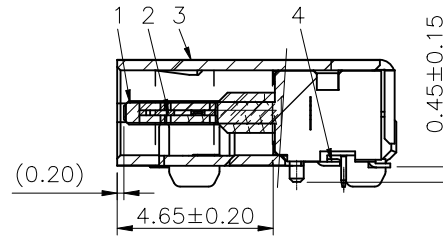
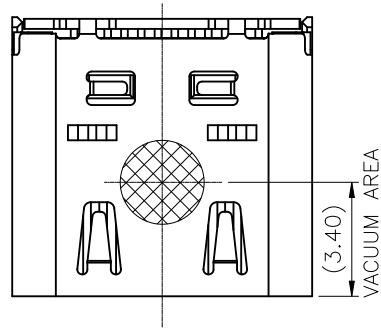


REV	ECN NO	CONTENT	DATE	ENGINEER
A0		INITIAL RELEASE	/	SGF

NOTE/注释:

1. SPECIFICATION/规格:

- 1.1 Rated current (额定电流): 7 A For Vbus pin, 10A MAX  
1.25A For Vconn pin  
0.25A For Other pin
- 1.2 Voltage rating (额定电压): 5V AC/DC, 48V MAX
- 1.3 Contact Resistance (接触阻抗): 40 m Ω Max.
- 1.4 Insulation Resistance (绝缘阻抗): 100MΩ Min.
- 1.5 Withstanding voltage (耐电压): 100 VAC/minute
- 1.6 Mating force (插入力): 5~20N.
- 1.7 Unmating force (拔出力): 8~20N.
- 1.8 Durability Cycle (寿命循环): 10,000 cycle
- 1.9 Operating temperature (工作温度): -40° ~+85°



A1	A2	A3	A4	A5	A6	A7	A8	A9	A10	A11	A12
GND	TX1+	TX1-	Vbus	CC1	D+	D-	SBU1	Vbus	RX2-	RX2+	GND
GND	RX1+	RX1-	Vbus	SBU2	D-	D+	CC2	Vbus	TX2-	TX2+	GND
B12	B11	B10	B9	B8	B7	B6	B5	B4	B3	B2	B1



THIS DOCUMENT IS THE  
SOLE PROPERTY OF  
BBJconn Technology Co.,Ltd.  
Corporation AND SHOULD  
NOT BE USED IN WHOLE  
PRIOR WRITTEN PERMISSION.

**深圳市步步精科技有限公司**

.X: ±0.38 X': ±3'  
.XX: ±0.25 .X': ±2'  
.XXX: ±0.13 .XX': ±1'

NAME:TYPE C 24P 母座 板上四脚插 带柱 端子双排SMT  
L=8.17 CH=1.57 外壳带弹 带后盖 镀金3U 编带

APPD JM\_Zheng

PJ NO: 126-221-240002-K6G

CHKD LYX

SIZE:A4 DRW NO:

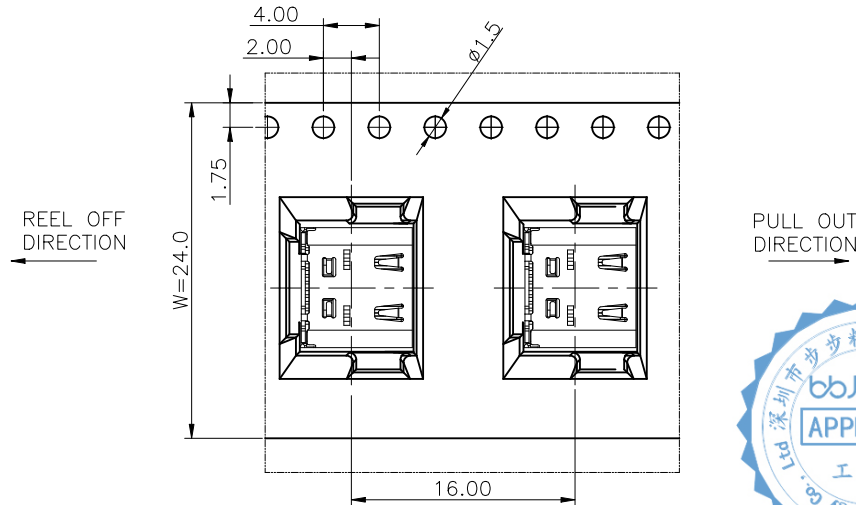
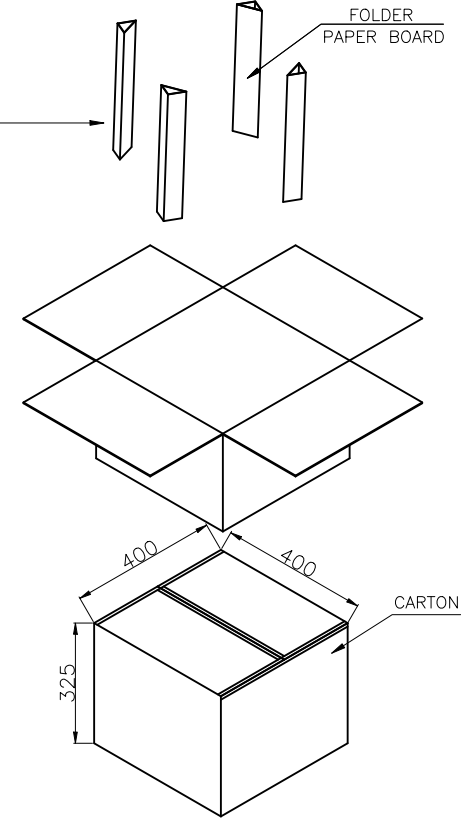
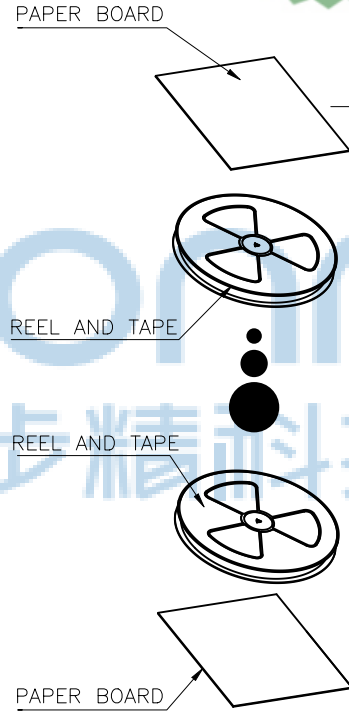
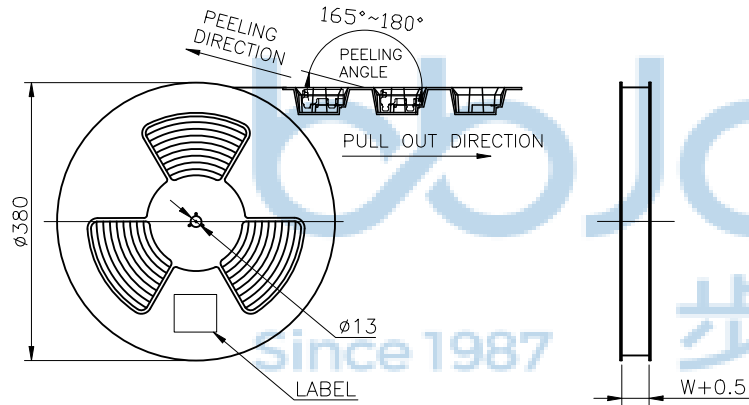
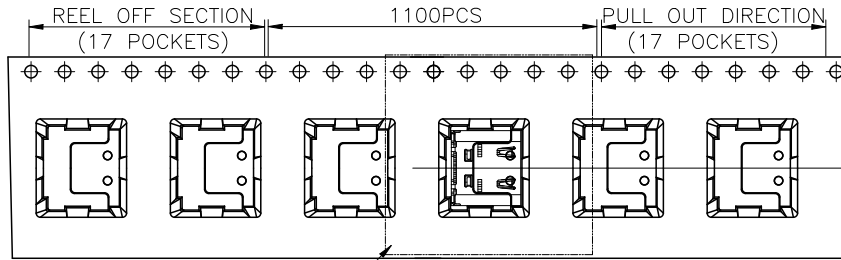
PDWG NO: 0413-1

DR SGF

FINISH:SEE NOTES MAT'L:SEE NOTES  
SCALE:N/A REV:A0 UNIT:mm PAGE:1/3



REV	ECN NO	CONTENT	DATE	ENGINEER
AO		INITIAL RELEASE	/	SGF



	REEL	CARTON
CONNECTOR (PCS)	1100	11000



THIS DOCUMENT IS THE  
SOLE PROPERTY OF  
BBJconn Technology Co.,Ltd.  
Corporation AND SHOULD  
NOT BE USED IN WHOLE  
PRIOR WRITTEN PERMISSION.  
PDWG NO: 0413-1

深圳市步步精科技有限公司		
.X: ±0.38 .XX: ±0.25 .XXX: ±0.13	X': ±3" .X': ±2" .XX': ±1"	NAME: TYPE C 24P 母座 板上四脚插 带柱 端子双排SMT L=8.17 CH=1.57 外壳带弹 带后盖 镀金3U 编带
APPD	JM_Zheng	PJ NO: 126-221-240002-K6G SIZE: A4   DRW NO:
CHKD	LYX	FINISH: SEE NOTES   MAT'L: SEE NOTES
DR	SGF	SCALE: N/A   REV: AO   UNIT: mm   PAGE: 3/3