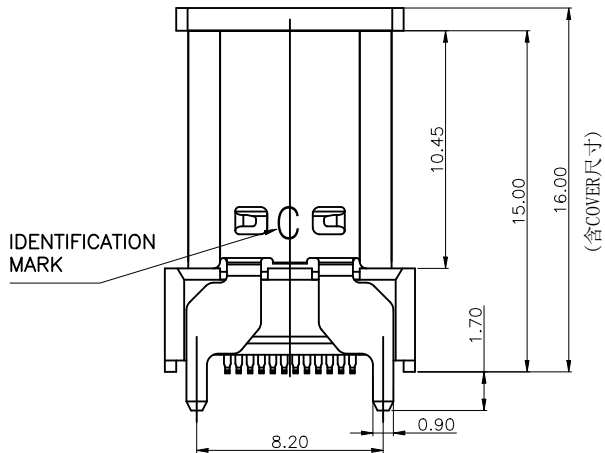
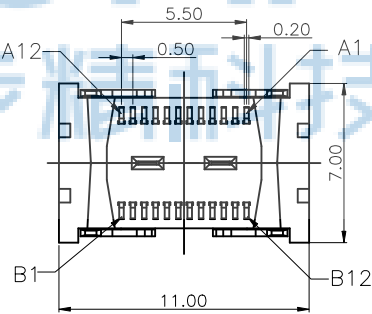
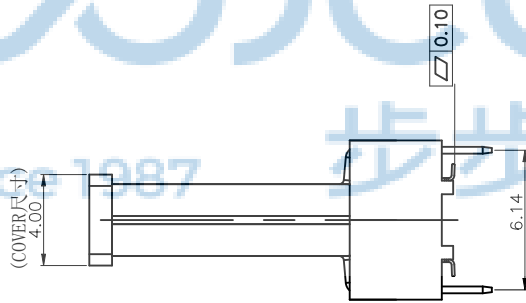
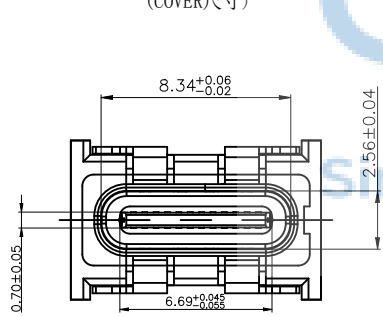
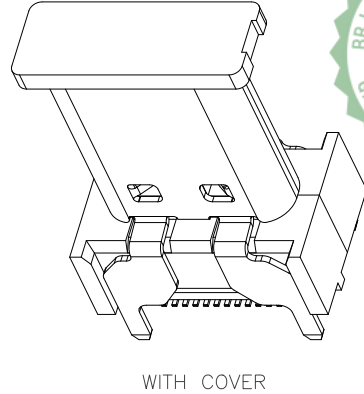
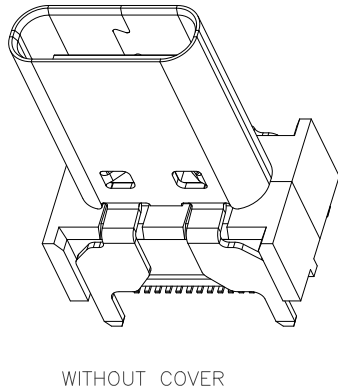
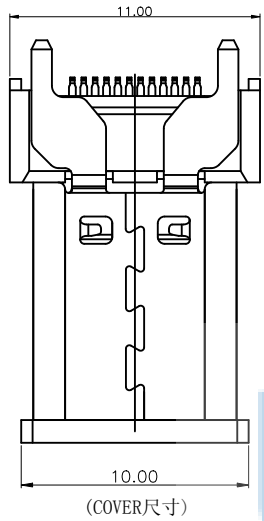




| REV. | ECN NO | CONTENT         | DATE | ENGINEER |
|------|--------|-----------------|------|----------|
| A0   |        | Initial release | /    | TSP      |

NOTES:

- MATERIAL:**  
MOLDING: LCP UL94 V-0  
CONTACT: COPPER ALLOY.  
PLATED GOLD ON CONTACT AREA,  
30u" GOLD ON SOLDER AREA,  
50u" NICKEL PLATING OVER ALL.  
SHELL: SUS304-H, T=0.30±0.03mm  
50u" NICKEL PLATING OVER ALL.  
EMI SHILD: SUS304-H, T=0.12±0.03mm  
LATCH: SUS301-H, T=0.15±0.03mm
- MECHANICAL:**  
INSERTION: 5~20N.  
EXTRACTION: 8~20N.  
DURABILITY: 10000 CYCLES
- ELECTRICAL:**  
CURRENT: 5A MAX FOR VBUS;  
1.25A MAX FOR OTHER.  
VOLTAGE: 20VDC MAX  
WITHSTANDING VOLTAGE: 100V AC.  
CONTACT RESISTANCE: 40mΩ MAX.  
INSULATION RESISTANCE: 100MΩ MIN.
- ENVIRONMENTAL**  
TEMPERATURE RANGE: -30° C TO +80° C



| Item | Title         | Material | Dispose  | Q'TY |
|------|---------------|----------|--|------|
| 1    | Shell         | SUS304   | Ni:30u" Min.                                   | 1PCS |
| 2    | GND Plate     | SUS301   |  | 2PCS |
| 3    | Mid Plate     | SUS301   |  | 1PCS |
| 4    | Contact       | C7025    | Mating Area: Au 30u"<br>Solder Tails: Matt Tin | 2PCS |
| 5    | InsertMolding | LCP      | UL 94V-0 Black                                 | 1PCS |
| 6    | COVER 01      | LCP      | UL 94V-0 Black                                 | 1PCS |

THIS DOCUMENT IS THE SOLE PROPERTY OF BBJconn Technology Co.,Ltd. Corporation AND SHOULD NOT BE USED IN WHOLE OR IN PART WITHOUT PRIOR WRITTEN PERMISSION.

PDWG.NO: 0228-1

**深圳市步步精科技有限公司**

NAME: TYPE-C 24P 母座 直立式 四脚插 端子SMT 端子镀金30U H=15.0 加盖编带

APPD. JM\_Zheng

CHKD. LYX

DR. TSP

PJ. NO.: 126-224-240002-T7G

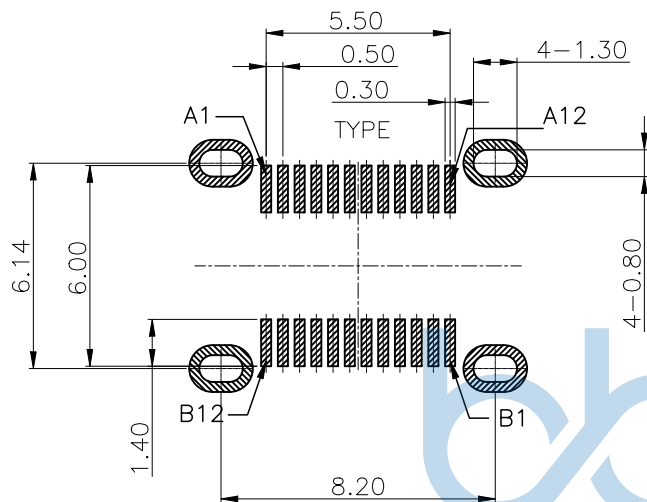
SIZE: A4 | DRW NO.:

FINISH: SEE NOTES | MAT'L.: SEE NOTES

SCALE: N/A | REV.: A0 | UNIT: mm | PAGE: 1/4

|      |         |                 |      |          |
|------|---------|-----------------|------|----------|
| REV. | ECN NO. | CONTENT         | DATE | ENGINEER |
| A0   |         | Initial release | /    | TSP      |

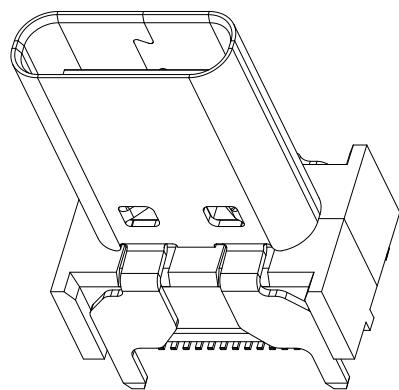
USB TYPE-C FULL-FEATURED RECEPTACLE INTERFACE PIN ASSIGNMENTS



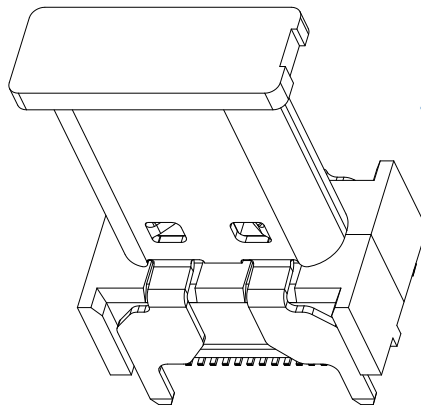
RECOMMENDED P.C.B. LAYOUT (T:1.00mm)

TOLERANCE UNSPECIFIED  $\pm 0.05\text{mm}$

SCALE 2:1



WITHOUT COVER



WITH COVER



| PIN | Signal Name | Description   | PIN | Signal Name | Description   |
|-----|-------------|---|-----|-------------|---|
| A1  | GND         | Ground return   | B12 | GND         | Ground return   |
| A2  | SSTXp1      | Positive half of first SuperSpeed TX differential pair    | B11 | SSRXp1      | Negative half of first SuperSpeed RX differential pair    |
| A3  | SSTXn1      | Negative half of first SuperSpeed TX differential pair    | B10 | SSRXn1      | Positive half of first SuperSpeed RX differential pair    |
| A4  | VBUS        | Bus Power   | B9  | VBUS        | Bus Power   |
| A5  | CC1         | Configuration Channel                                     | B8  | SBU2        | Sideband Use (SBU)  |
| A6  | Dp1         | Positive half of the USB 2.0 differential pair-Position 1 | B7  | Dn2         | Negative half of the USB 2.0 differential pair-Position 2 |
| A7  | Dn1         | Negative half of the USB 2.0 differential pair-Position 1 | B6  | Dp2         | Positive half of the USB 2.0 differential pair-Position 2 |
| A8  | SBU1        | Sideband Use (SBU)  | B5  | CC2         | Configuraation Channel                                    |
| A9  | VBUS        | Bus Power   | B4  | VBUS        | Bus Power   |
| A10 | SSRXn2      | Negative half of second SuperSpeed RX differential pair   | B3  | SSTXn2      | Negative half of second SuperSpeed TX differential pair   |
| A11 | SSRXp2      | Positive half of second SuperSpeed RX differential pair   | B2  | SSTXp2      | Positive half of second SuperSpeed TX differential pair   |
| A12 | GND         | Ground return   | B1  | GND         | Ground return   |

THIS DOCUMENT IS THE  
SOLE PROPERTY OF  
BBJconn Technology Co.,Ltd.  
Corporation AND SHOULD  
NOT BE USED IN WHOLE  
OR IN PART WITHOUT  
PRIOR WRITTEN PERMISSION.  
PDWG.NO: 0228-1

**深圳市步步精科技有限公司**

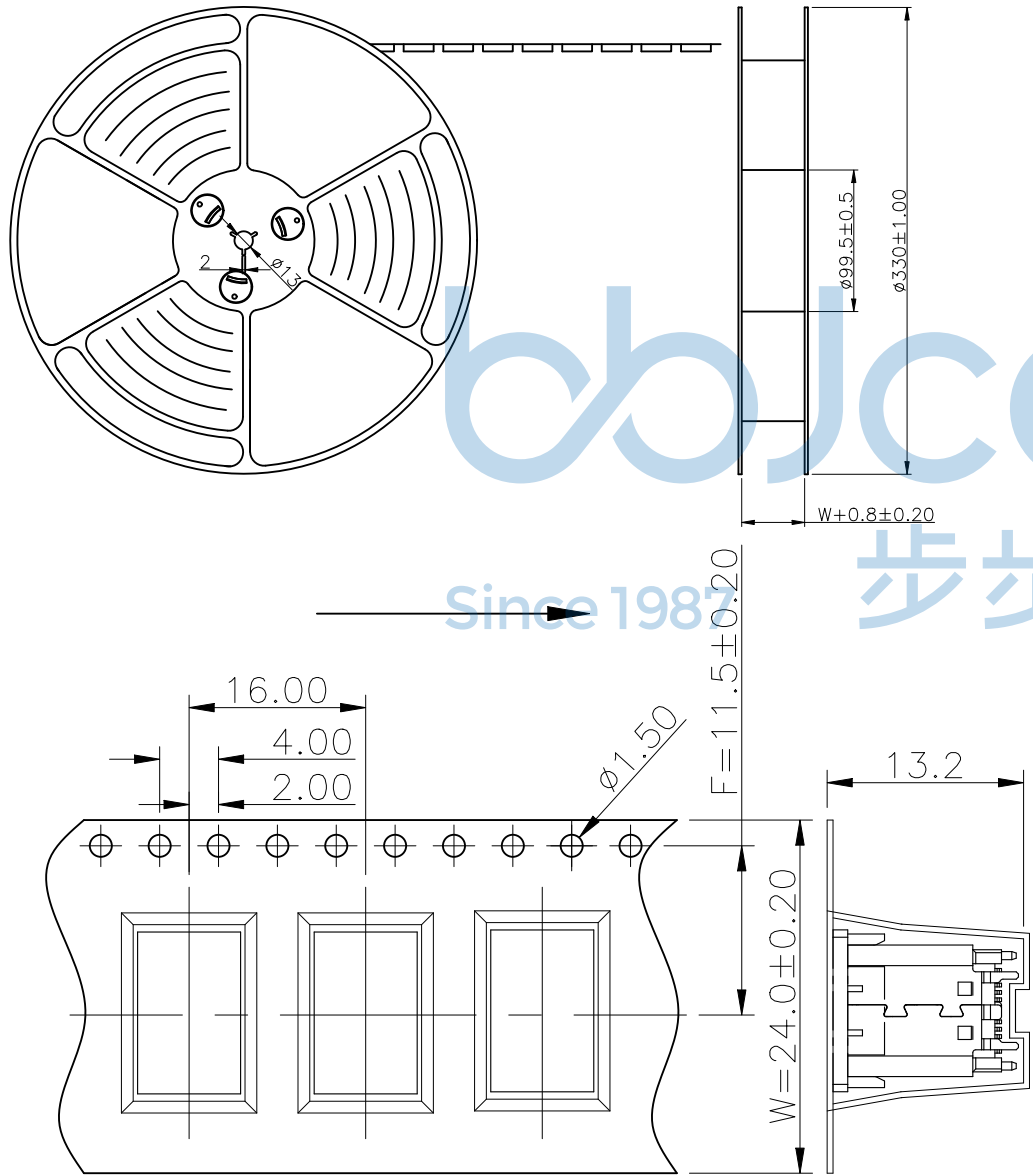
NAME: TYPE-C 24P 母座 直立式 四脚插  
端子SMT 端子镀金30U H=15.0 加盖编带

APPD. JM\_Zheng  
CHKD. LYX  
DR. TSP

PJ. NO.: 126-224-240002-T7G  
SIZE: A4 DRW NO.:  
FINISH: SEE NOTES MAT'L.: SEE NOTES  
SCALE: N/A REV.: A0 UNIT: mm PAGE: 2/4

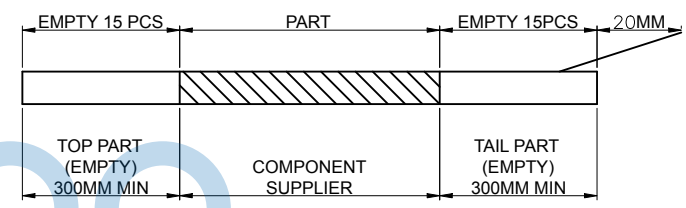
| REV. | ECN NO | CONTENT         | DATE | ENGINEER |
|------|--------|-----------------|------|----------|
| A0   |        | Initial release | /    | TSP      |

出料方向  
PULL OUT DIRECTEON

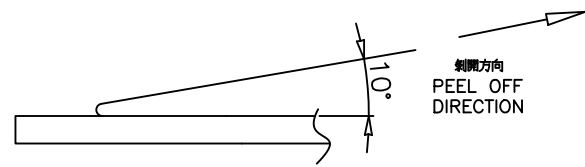


NOTES

1. 帶子引導長度  
LEAD TAPE LENGTH  
出料方向  
PULL OUT DIRECTEON

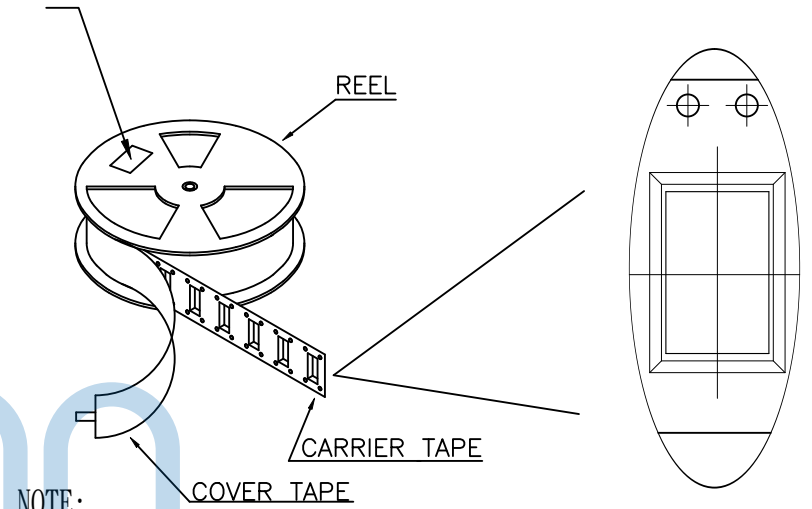
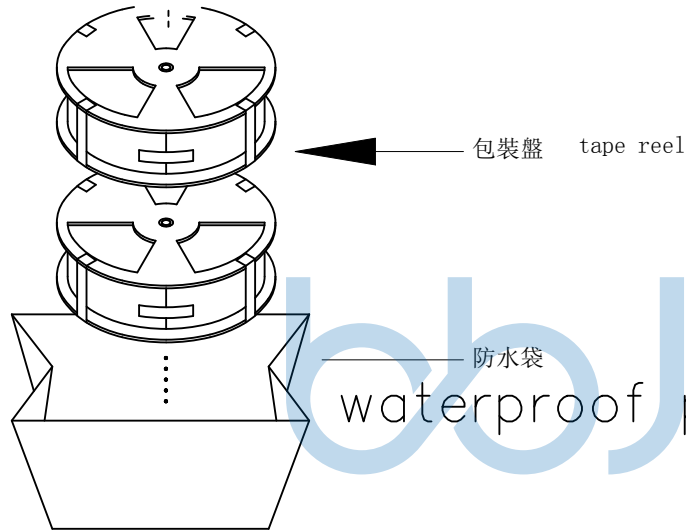


2. 上帶 剝力力為 : 0.1~1.3N(10.2gf~130gf)  
PEELING OFF FORCE OF TOP TAPE: 0.1~1.3N(10.2gf~130gf)  
出貨運輸過程中一定注意:  
THIS REQUIREMENT SHOULD BE APPLIED AT SHIPMENT :  
卷帶在運輸過程中不能散開  
PEELING OFF SHOULD NOT BE ALLOWED DURING TRANSPORTATION



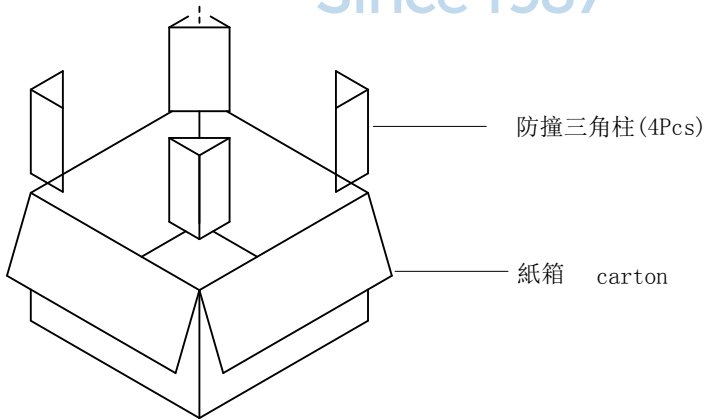
|   |           |                             |   |
|---|-----------|-----------------------------|---|
| THIS DOCUMENT IS THE SOLE PROPERTY OF BBJconn Technology Co., Ltd. Corporation AND SHOULD NOT BE USED IN WHOLE OR IN PART WITHOUT PRIOR WRITTEN PERMISSION. |           | <b>深圳市步步精科技有限公司</b>         |   |
| PDWG.NO: 0228-1   |           | DR. TSP                     | NAME: TYPE-C 24P 母座 直立式 四脚插 端子SMT 端子镀金30U H=15.0 加盖编带 |
| APPD. JM_Zheng  | CHKD. LYX | PJ. NO.: 126-224-240002-T7G | SIZE: A4 DRW NO.:                                     |
| FINISH: SEE NOTES   |           | MAT'L.: SEE NOTES           |   |
| SCALE: N/A  |           | REV.: A0                    | UNIT: mm PAGE: 3/4                                    |

at small positioning hole of the carrier tape side).  
 標籤黏貼處 (朝捲裝包材的小定位孔一側)  
 Location of label sticking (label)



NOTE:

1. 每捲包裝數量及每箱裝箱數量如左下表格。  
Packing qty of each reel & carton as below table shown.
2. 以上膠帶覆蓋下包裝帶經包裝機熱熔包裝  
Use cover tape to cover and hot melt machine to seal up.
3. 將裝滿產品的卷盤放入紙箱並以膠帶封口  
Put reels in the carton and use adhesive tape to seal up.



| 包裝容量 (PACKING CAPACITY) |              |            | 重量 WEIGHT (Kg) |          |          |
|-------------------------|--------------|------------|----------------|----------|----------|
| PCS/REEL                | REELS/CARTON | PCS/CARTON | N.W./PCS       | N.W./BOX | G.W./BOX |
| 200                     | 10           | 2000       | 0.87g          | 4.69Kg   |          |

|  |          |   |     |  |                             |
|--|----------|---|-----|--|-----------------------------|
| THIS DOCUMENT IS THE SOLE PROPERTY OF BBJconn Technology Co.,Ltd. Corporation AND SHOULD NOT BE USED IN WHOLE OR IN PART WITHOUT PRIOR WRITTEN PERMISSION. |          | 深圳市步步精科技有限公司<br>.X: ±0.38 X*: ±3*<br>.XX: ±0.25 .X*: ±2*<br>.XXX: ±0.13 .XX*: ±1* |     | NAME: TYPE-C 24P 母座 直立式 四脚插<br>端子SMT 端子镀金30U H=15.0 加盖编带 |                             |
| APPD.  | JM_Zheng | PJ. NO.: 126-224-240002-T7G   |     | SIZE: A4   DRW NO.:                                      |                             |
| CHKD.  | LYX      | FINISH: SEE NOTES   |     | MAT'L.: SEE NOTES  |                             |
| PDWG.NO:   | 0228-1   | DR.   | TSP | SCALE: N/A   | REV.: A0 UNIT: mm PAGE: 4/4 |