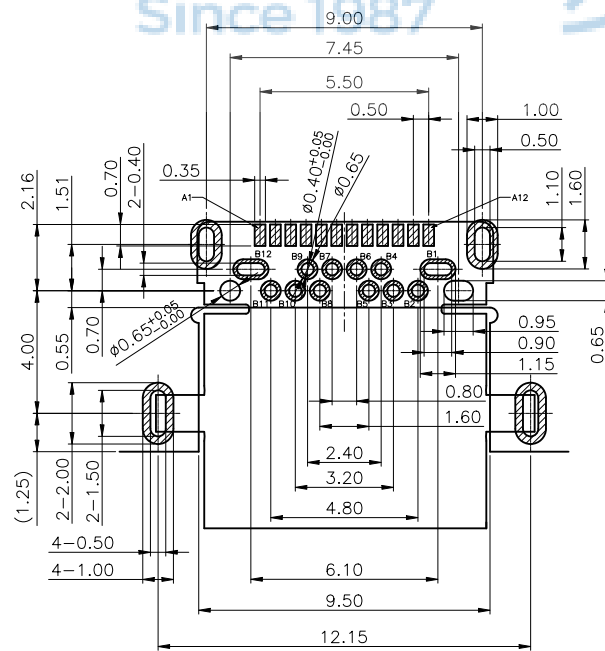
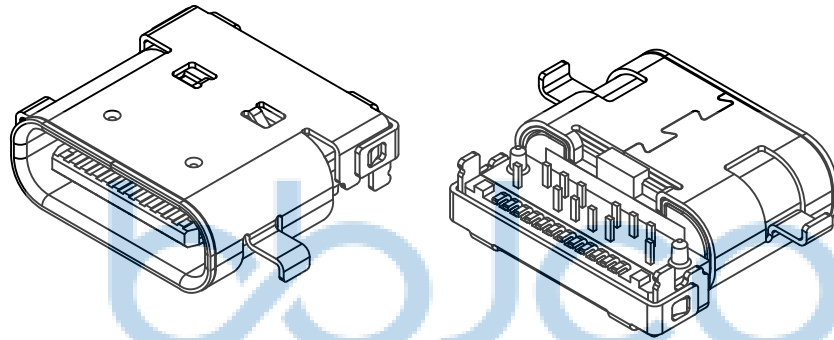




USB TYPE-C FULL-FEATURED RECEPTACLE INTERFACE PIN ASSIGNMENTS



RECOMMEND P.C.B LAYOUT (COMPONENT SIDE)  
TOLERANCE FOR PCB LAYOUT IS  $\pm 0.05$



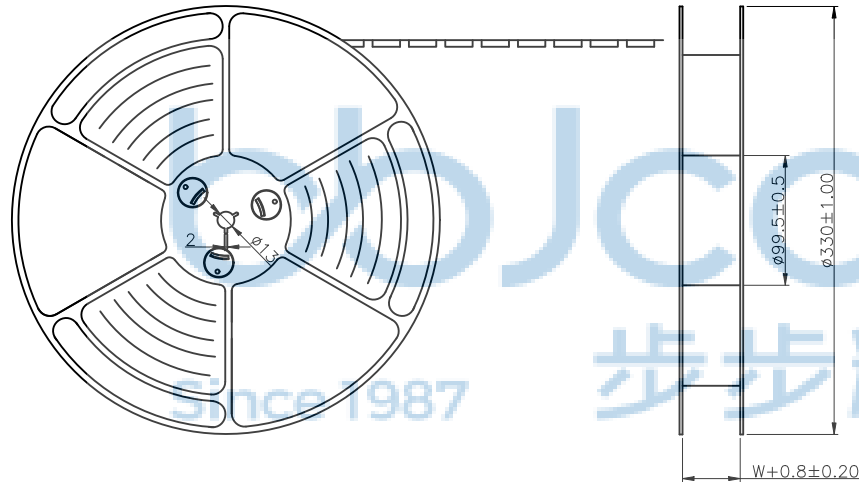
PIN	Signal Name	Description	PIN	Signal Name	Description
A1	GND	Ground return	B12	GND	Ground return
A2	SSTXp1	Positive half of first SuperSpeed TX differential pair	B11	SSRXp1	Positive half of first SuperSpeed RX differential pair
A3	SSTXn1	Negative half of first SuperSpeed TX differential pair	B10	SSRXn1	Negative half of first SuperSpeed RX differential pair
A4	VBUS	Bus Power	B9	VBUS	Bus Power
A5	CC1	Configuration Channel	B8	SBU2	Sideband Use (SBU)
A6	Dp1	Positive half of the USB 2.0 differential pair-Position 1	B7	Dn2	Negative half of the USB 2.0 differential pair-Position 2
A7	Dn1	Negative half of the USB 2.0 differential pair-Position 1	B6	Dp2	Positive half of the USB 2.0 differential pair-Position 2
A8	SBU1	Sideband Use (SBU)	B5	CC2	Configuraation Channel
A9	VBUS	Bus Power	B4	VBUS	Bus Power
A10	SSRXn2	Negative half of second SuperSpeed RX differential pair	B3	SSTXn2	Negative half of second SuperSpeed TX differential pair
A11	SSRXp2	Positive half of second SuperSpeed RX differential pair	B2	SSTXp2	Positive half of second SuperSpeed TX differential pair
A12	GND	Ground return	B1	GND	Ground return



THIS DOCUMENT IS THE SOLE PROPERTY OF BBJconn Technology Co., Ltd. Corporation AND SHOULD NOT BE USED IN WHOLE OR IN PART WITHOUT PRIOR WRITTEN PERMISSION.	深圳市步步精科技有限公司 .X: $\pm 0.38$ .X': $\pm 3'$ .XX: $\pm 0.25$ .X': $\pm 2'$ .XXX: $\pm 0.13$ .XX': $\pm 1'$		NAME: TYPE-C 24PIN 母座 四脚插 带柱 沉板1.38 L=8.65 CH=0.33 双外壳 脚长0.6 端子DIP+SMT 端子镀金15u
	APPD. JM_Zheng 23/05'02 CHKD. LYX 23/05'02 DR. LHC 23/05'02	P.J. NO.: 126-223-240036-T7G SIZE: A4   DRW NO.: FINISH: SEE NOTES   MAT'L.: SEE NOTES SCALE: N/A   REV.: A3   UNIT: mm   PAGE: 1/1	

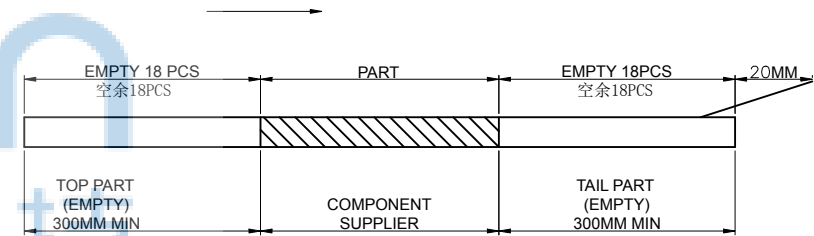
REV.	ECN NO	CONTENT	DATE	ENGINEER
A0			2023 20/04	

出料方向  
PULL OUT DIRECTEON

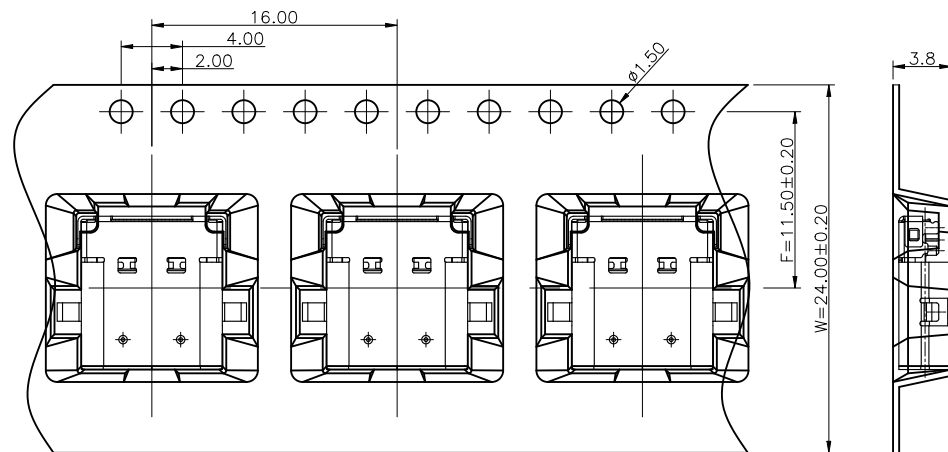


NOTES

- 帶子引導長度  
LEAD TAPE LENGTH  
出料方向  
PULL OUT DIRECTEON



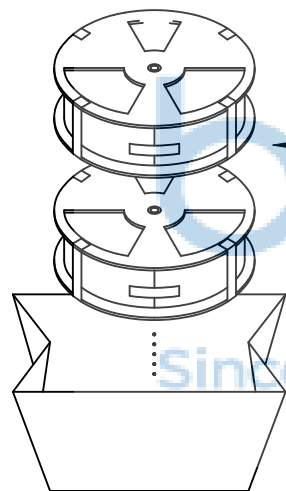
- 出貨運輸過程中一定注意：  
THIS REQUIREMENT SHOULD BE APPLIED AT SHIPMENT：  
卷帶在運輸過程中不能散開  
PEELING OFF SHOULD NOT BE ALLOWED DURING TRANSPORTATION



THIS DOCUMENT IS THE SOLE PROPERTY OF BBJconn Technology Co., Ltd. CORPORATION AND SHOULD NOT BE USED IN WHOLE OR IN PART WITHOUT PRIOR WRITTEN PERMISSION.		<b>深圳市步步精科技有限公司</b> .X: ±0.38    X': ±3" .XX: ±0.25    X'': ±2" .XXX: ±0.13    XX': ±1"		NAME: TYPE-C 24PIN 母座 四脚插 带柱 沉板1.38 L=8.65 CH=0.33 双外壳 脚长0.6 端子DIP+SMT 端子镀金15u P.J. NO.: 126-223-240036-T7G SIZE: A4   DRW NO.: FINISH: SEE NOTES    MAT'L.: SEE NOTES SCALE: N/A    REV.: A3    UNIT: mm    PAGE: 1/1	
APPD.	JM_Zheng 23/05'02	CHKD.	LYX 23/05'02	DR.	LHC 23/05'02
PDWG. NO: 0228-1					

at small positioning hole of the carrier tape side).  
標籤黏貼處 (朝捲裝包材的小定位孔一側)

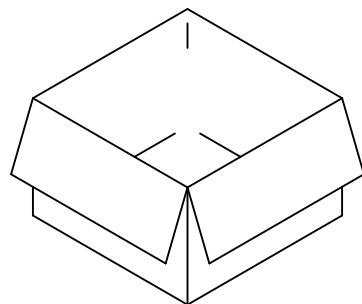
Location of label sticking (label



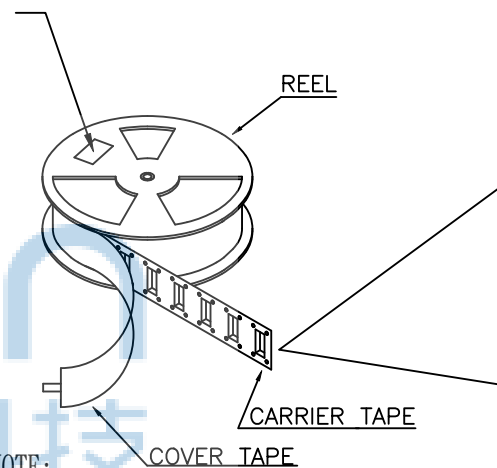
包裝盤 tape reel

防水袋

waterproof plastic bag



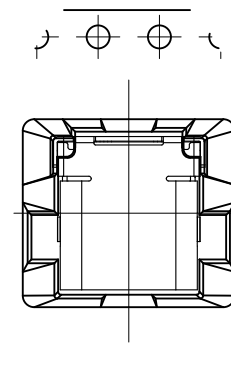
紙箱 carton



REEL

CARRIER TAPE

COVER TAPE



NOTE:

1. 每捲包裝數量及每箱裝箱數量如左下表格。  
Packing q'ty of each reel & carton as below table shown.
2. 以上膠帶覆蓋下包裝帶經包裝機熱熔包裝  
Use cover tape to cover and hot melt machine to seal up.
3. 將裝滿產品的卷盤放入紙箱并以膠帶封口  
Put reels in the carton and use adhesive tape to seal up.



THIS DOCUMENT IS THE SOLE PROPERTY OF BBJconn Technology Co.,Ltd. Corporation AND SHOULD NOT BE USED IN WHOLE OR IN PART WITHOUT PRIOR WRITTEN PERMISSION.		深圳市步步精科技有限公司 .X: ±0.38    .X': ±3" .XX: ±0.25    .X": ±2" .XXX: ±0.13    .XX': ±1"		NAME: TYPE-C 24PIN 母座 四脚插 带柱 沉板1.38 L=8.65 CH=0.33 双外壳 脚长0.6 端子DIP+SMT 端子镀金15u	
APPD.	JM_Zheng	23/05'02	P.J. NO.: 126-223-240036-T7G		
CHKD.	LYX	23/05'02	SIZE: A4   DRW NO.:		
DR.	LHC	23/05'02	FINISH: SEE NOTES   MAT'L.: SEE NOTES		
PDWG. NO: 0228-1		SCALE: N/A		REV.: A3	UNIT: mm   PAGE: 1/1

產品料號 (PRODUCT No.)	包裝容量 (PACKING CAPACITY)			重量 WEIGHT (Kg)		
	PCS/REEL	REELS/CARTON	PCS/CARTON	N.W./PCS	N.W./BOX	G.W./BOX
	1000	10	10000	0.78g	7.8Kg	