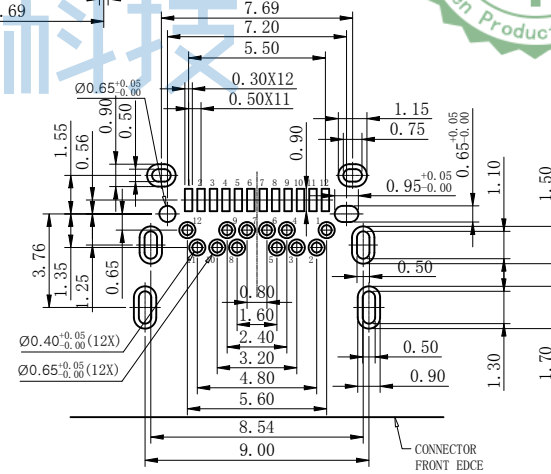
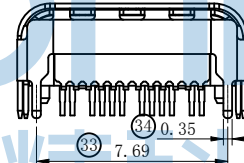
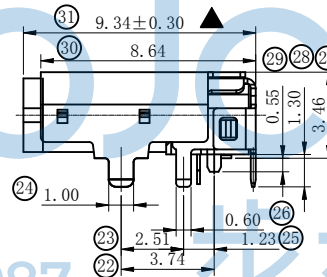
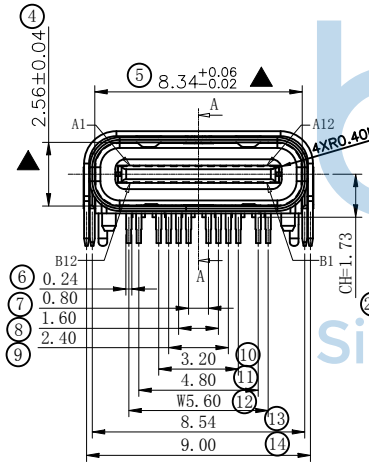
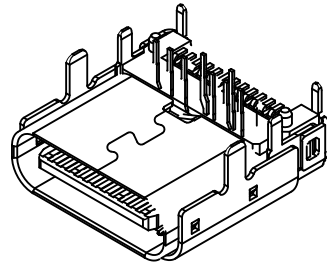
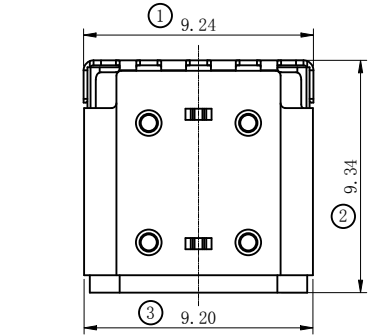


REV.	ECN NO.	CONTENT	DATE	ENGINEER
A0		Initial Release	/	LHC

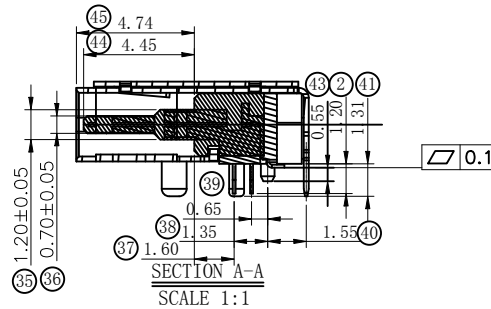
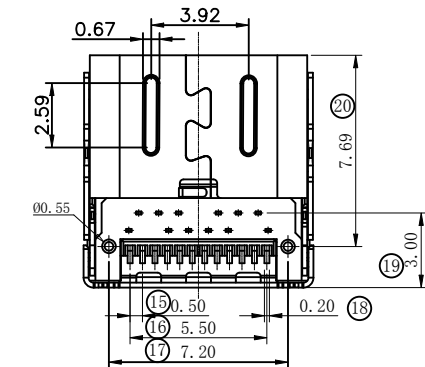
NOTE:

- MATERIAL:
 - INSULATOR: HIGH TEMPERATURE PLASTIC UL 94 V-0;
 - CONTACT: COPPER ALLOY
 - SHELL: STAINLESS STEEL
 - MYLAR: POLYIMIDE
- ELECTRICAL CHARACTERISTICS:
 - CONTACT RESISTANCE: 40mΩ Max FOR INITIAL. 10mΩ CHANGE AFTER TEST. MEASURE AT 20mV, 100mA.
 - CONTACT CURRENT RATING: 5A FOR VBUS PIN; 1.25A FOR VCCONN PIN.
 - DIELECTRIC WITHSTANDING VOLTAGE: 100V AC R.M.S.
 - INSULATION RESISTANCE 100MΩ Min
 - OPERATING TEMPERATURE: -25° C ~ 85° C
- MECHANICAL CHARACTERISTICS:
 - MATING FORCE: 5~20 N.
 - UNMATED FORCE: 8~20 N AFTER TEST
 - DURABILITY: 10,000 CYCLES
- PLATING
 - TERMINAL CONTACT: GOLD PLATING 30u" ALL OVER 50u" Min NICKEL AND 80u" Min Tin ALL OVER 50u" Min NICKEL ON SOLDER AREA
 - SHELL: 30u" Min. NICKEL ALL OVER,

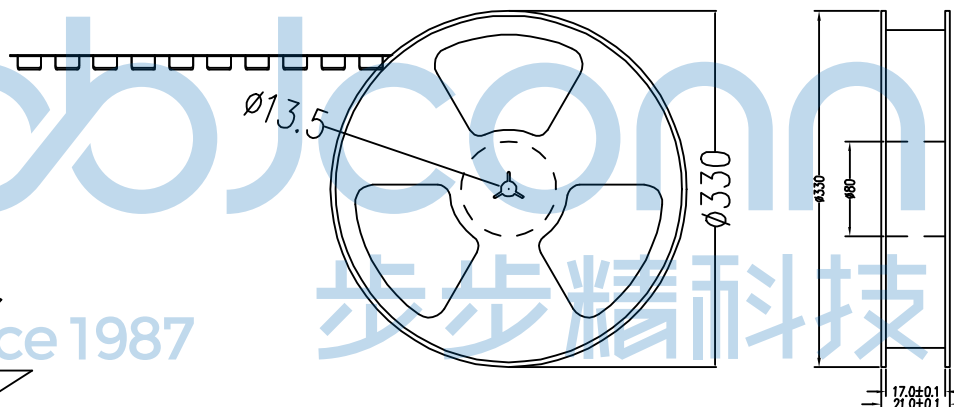
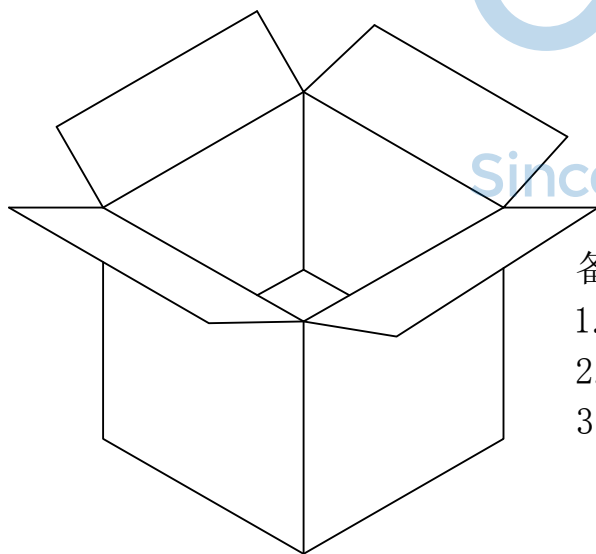
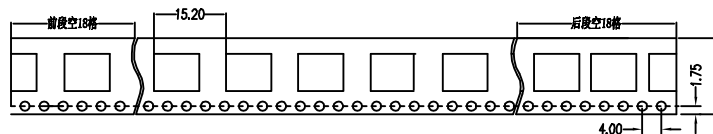
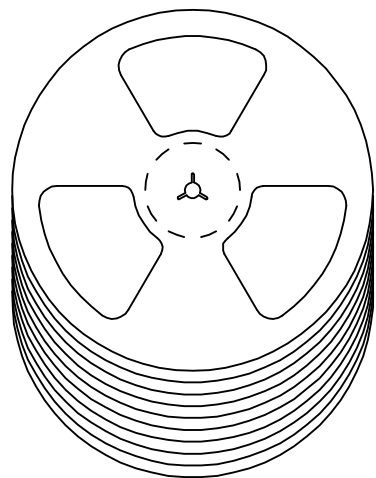


RECOMMEND P. C. B LAYOUT (T=1.00mm)
TOLERANCE UNSPECIFIED ±0.05mm

	A		B
1	GND	12	GND
2	TX1+	11	RX1+
3	TX1-	10	RX1-
4	VBUS	9	VBUS
5	CC1	8	SBU2
6	D+	7	D-
7	D-	6	D+
8	SBU1	5	CC2
9	VBUS	4	VBUS
10	RX2-	3	TX2-
11	RX2+	2	TX2+
12	GND	1	GND



THIS DOCUMENT IS THE SOLE PROPERTY OF BBJconn Technology Co., Ltd.		深圳市步步精科技有限公司	
CORPORATION AND SHOULD NOT BE USED IN WHOLE OR IN PART WITHOUT PRIOR WRITTEN PERMISSION.		NAME: TYPE-C 24P 母座 L=9.34 CH=1.73 板上六脚插 带柱 双壳 端子30u SMT+DIP	
APPD.	JM_Zheng	P.J. NO.: 126-223-240003-J6G	SIZE: A4 DRW NO.:
CHKD.	LYX		
PDWG.NO:	0469-2	FINISH: SEE NOTES	MAT'L.: SEE NOTES
DR.	LHC	SCALE: N/A	REV.: A0 UNIT: mm PAGE: 1/1



备注:

1. 包装数量: 800 /PCS/卷, 10卷/箱。
2. 包装袋长度: 每卷前后各空10-20个空格, 中间包装。
3. 材质:
载体: 聚丙烯 (PS), 阻抗 $10^{6-9} \Omega$
上带: 聚乙烯 (PET), 阻抗 $10^{6-11} \Omega$
卷盘: 聚苯乙烯。

纸箱规格: 345*345*23MM

纸箱规格: 345*345*35MM

THIS DOCUMENT IS THE SOLE PROPERTY OF BBJconn Technology Co.,Ltd. Corporation AND SHOULD NOT BE USED IN WHOLE OR IN PART WITHOUT PRIOR WRITTEN PERMISSION.		深圳市步步精科技有限公司	
PDWG:NO: 0469-2		APPD. JM_Zheng	CHKD. LYX
DR. LHC		NAME: TYPE-C 24P 母座 L=9.34 CH=1.73 板上六脚插 带柱 双壳 端子30u SMT+DIP	
		PJ. NO.: 126-223-240003-J6G	
		SIZE: A4 DRW NO.:	
		FINISH: SEE NOTES MAT'L.: SEE NOTES	
		SCALE: N/A	REV.: A0 UNIT: mm PAGE: 2/2