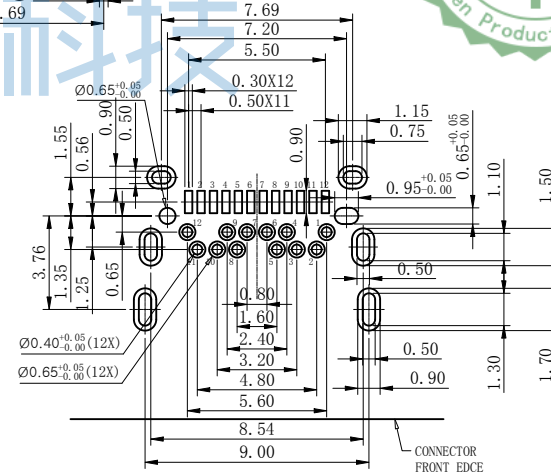
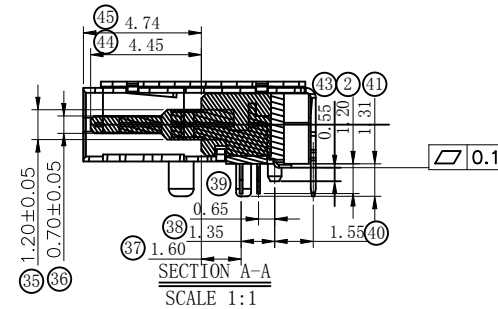
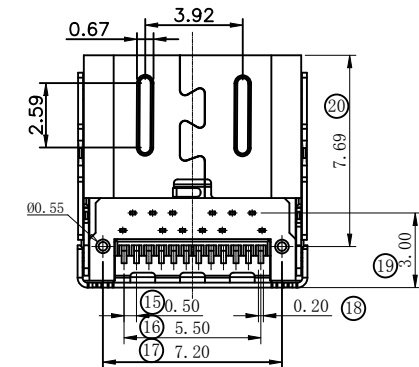
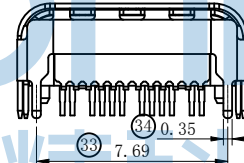
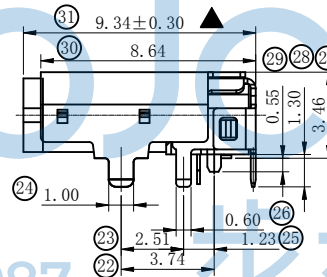
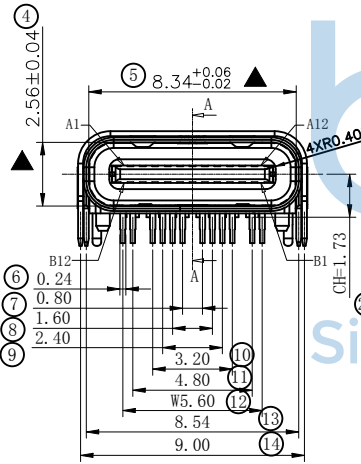
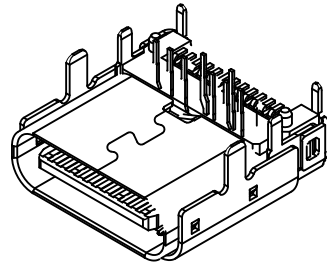
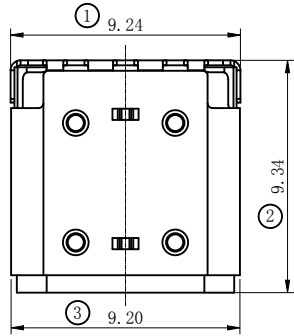


REV.	ECN NO.	CONTENT	DATE	ENGINEER
A0		Initial Release	/	LHC

NOTE:

- MATERIAL:
  - INSULATOR: HIGH TEMPERATURE PLASTIC UL 94 V-0;
  - CONTACT: COPPER ALLOY
  - SHELL: STAINLESS STEEL
  - MYLAR: POLYIMIDE
- ELECTRICAL CHARACTERISTICS:
  - CONTACT RESISTANCE: 40mΩ Max FOR INITIAL. 10mΩ CHANGE AFTER TEST. MEASURE AT 20mV, 100mA.
  - CONTACT CURRENT RATING: 5A FOR VBUS PIN; 1.25A FOR VCCONN PIN.
  - DIELECTRIC WITHSTANDING VOLTAGE: 100V AC R.M.S.
  - INSULATION RESISTANCE 100MΩ Min
  - OPERATING TEMPERATURE: -25° C ~ 85° C
- MECHANICAL CHARACTERISTICS:
  - MATING FORCE: 5~20 N.
  - UNMATED FORCE: 8~20 N AFTER TEST
  - DURABILITY: 10,000 CYCLES
- PLATING
  - TERMINAL CONTACT: G/F GOLD PLATING 1u" ALL OVER 50u" Min NICKEL AND 80u" Min Tin ALL OVER 50u" Min NICKEL ON SOLDER AREA
  - SHELL: 30u" Min. NICKEL ALL OVER,



RECOMMEND P. C. B LAYOUT (T=1.00mm)  
TOLERANCE UNSPECIFIED ±0.05mm

	A		B
1	GND	12	GND
2	TX1+	11	RX1+
3	TX1-	10	RX1-
4	VBUS	9	VBUS
5	CC1	8	SBU2
6	D+	7	D-
7	D-	6	D+
8	SBU1	5	CC2
9	VBUS	4	VBUS
10	RX2-	3	TX2-
11	RX2+	2	TX2+
12	GND	1	GND

THIS DOCUMENT IS THE SOLE PROPERTY OF BBJconn Technology Co., Ltd. Corporation AND SHOULD NOT BE USED IN WHOLE OR IN PART WITHOUT PRIOR WRITTEN PERMISSION.

PDWG.NO: 0469-2

深圳市步步精科技有限公司

NAME: TYPE-C 24P 母座 L=9.34 CH=1.73 板上六脚插 带柱 双壳 端子SMT+DIP

APPD. JM\_Zheng

CHKD. LYX

DR. LHC

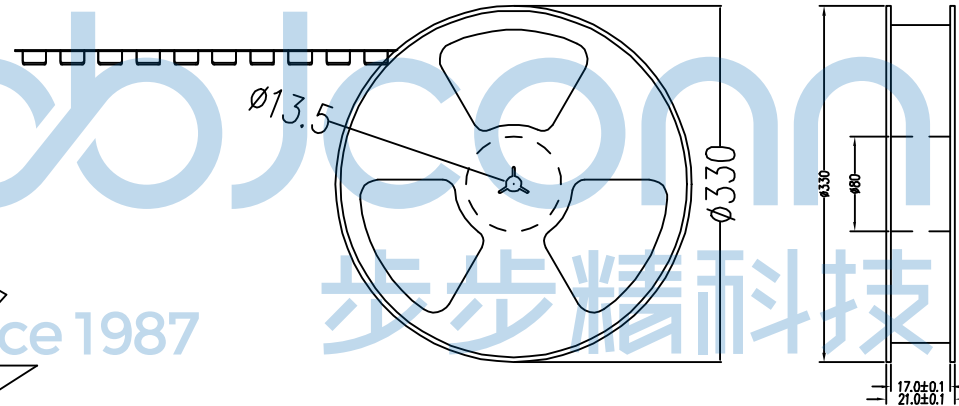
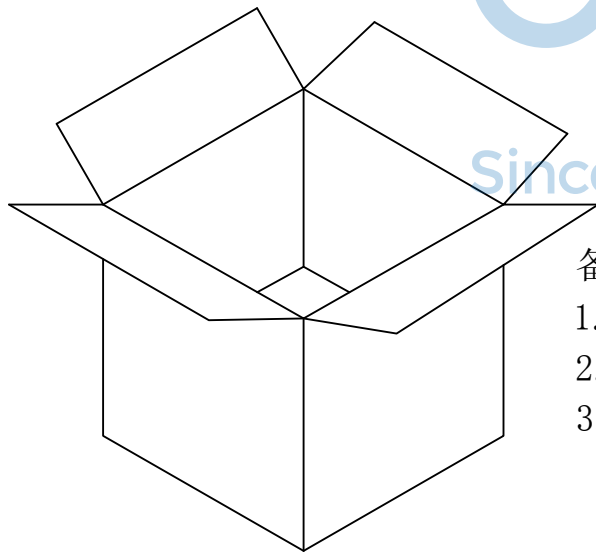
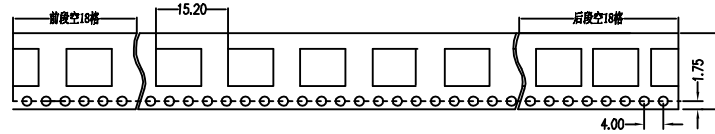
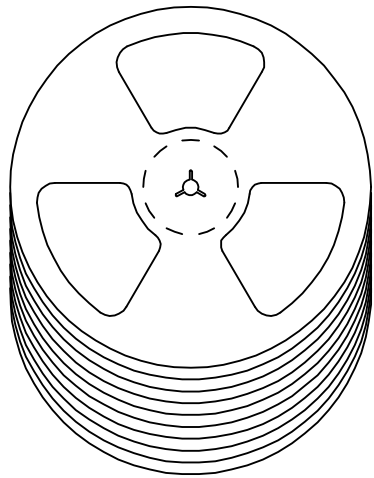
PJ. NO.: UC.01.52-1W-0049

SIZE: A4 DRW NO.:

FINISH: SEE NOTES MAT'L.: SEE NOTES

SCALE: N/A REV.: A0 UNIT: mm PAGE: 1/1

REV.	ECN NO	CONTENT	DATE	ENGINEER
A0		Initial Release	/	LHC



备注:

1. 包装数量: 800 /PCS/卷, 10卷/箱。
2. 包装袋长度: 每卷前后各空10-20个空格, 中间包装。
3. 材质:  
载体: 聚丙烯 (PS), 阻抗 $10^{6-9} \Omega$   
上带: 聚乙烯 (PET), 阻抗 $10^{6-11} \Omega$   
卷盘: 聚苯乙烯。

纸箱规格: 345\*345\*23MM

纸箱规格: 345\*345\*35MM

THIS DOCUMENT IS THE SOLE PROPERTY OF BBJconn Technology Co.,Ltd. Corporation AND SHOULD NOT BE USED IN WHOLE OR IN PART WITHOUT PRIOR WRITTEN PERMISSION.		深圳市步步精科技有限公司	
.X: ±0.38 .XX: ±0.25 .XXX: ±0.13		X': ±3' X'': ±2' XX': ±1'	
APPD.	JM_Zheng	NAME: TYPE-C 24P 母座 L=9.34 CH=1.73 板上六脚插 带柱 双壳 端子SMT+DIP	
CHKD.	LYX	PJ. NO.: UC.01.52-1W-0049	
DR.	LHC	SIZE: A4 DRW NO.:	
PDWG.NO: 0469-2		FINISH: SEE NOTES MAT'L.: SEE NOTES	
		SCALE: N/A REV.: A0 UNIT: mm PAGE: 2/2	