

REV.	ECN NO	CONTENT	DATE	ENGINEER
A0		Initial release	/	TSP

NOTE:

1.MATERIAL:

- 1.1 INSULATOR: HIGH TEMPERATURE PLASTIC UL 94 V-0;
- 1.2 CONTACT: COPPER ALLOY
- 1.3 SHELL:STAINLESS STEEL
- 1.4 MYLAR:POLYIMIDE

2.ELECTRICAL CHARACTERISTICS;

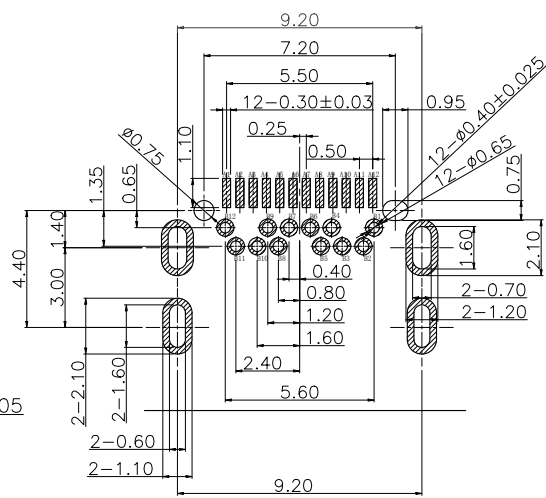
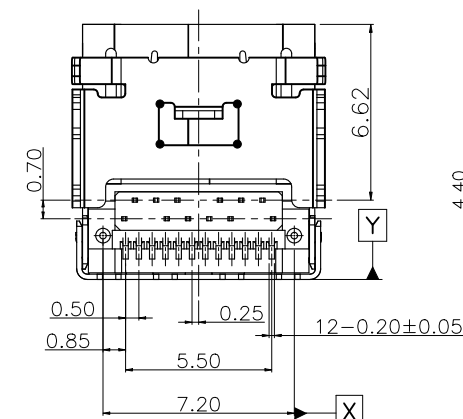
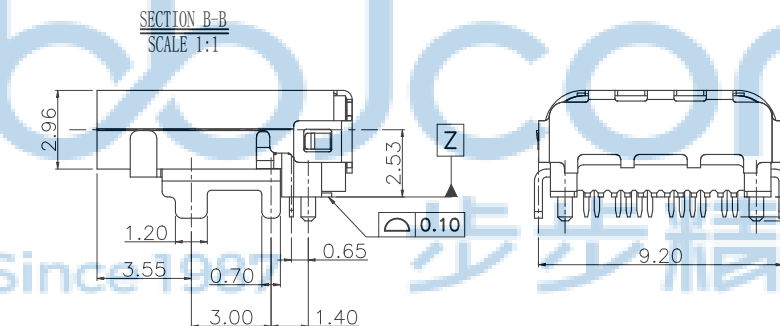
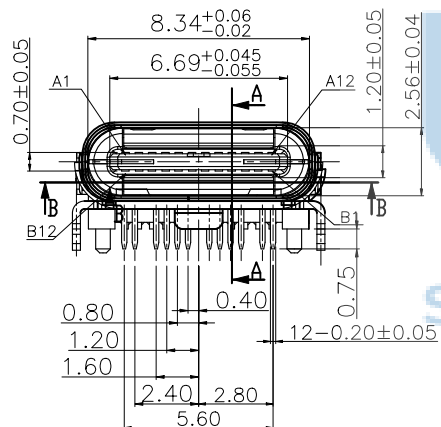
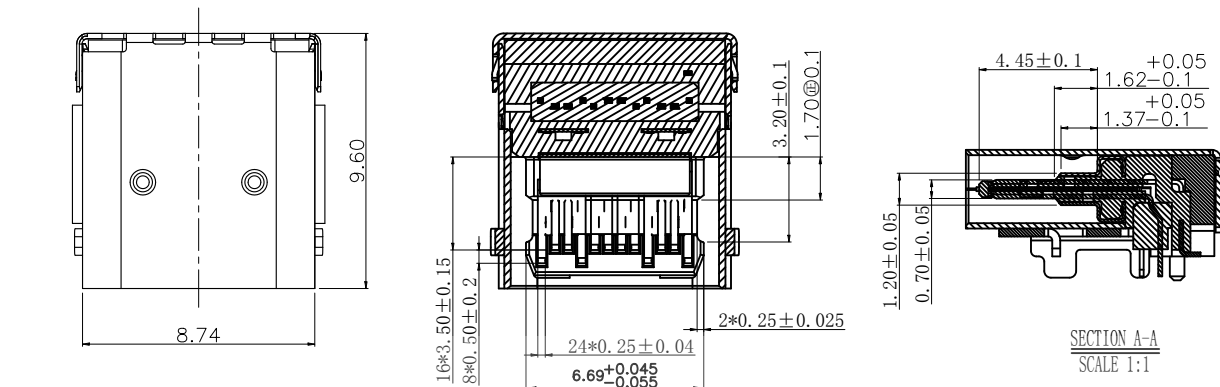
- 2.1 CONTACT RESISTANCE: 40mΩ Max FOR INITIAL. 10mΩ CHANGE AFTER TEST. MEASURE AT 20mV, 100mA.
- 2.2 CONTACT CURRENT RATING: 3A FOR VBUS PIN; 1.25A FOR VCONN PIN.
- 2.3 DIELECTRIC WITHSTANDING VOLTAGE: 100V AC R.M.S.
- 2.4 INSULATION RESISTANCE 100MΩ Min
- 2.5 OPERATING TEMPERATURE: -40°C ~ 85°C

3 MECHANICAL CHARACTERISTICS:

- 3.1 MATING FORCE: 5~20 N.
- 3.2 UNMATED FORCE: 6~20N AFTER TEST
- 3.3 DURABILITY: 10,000 CYCLES

4.PLATING

- 4.1 TERMINAL CONTACT: GOLD PLATING 3u" ALL OVER 50u" Min
NICKEL AND 80u"Min Tin ALL OVER 50u" Min NICKEL ON SOLDER AREA
- 4.2 SHELL: 50u" Min. NICKEL ALL OVER,



RECOMMENDED P.C.B LAYOUT
PCB THICKNESS 0.80±0.05mm



PIN	SIGNAL NAME	PIN	SIGNAL NAME
A1	GND	B12	GND
A2	TX1+	B11	RX1+
A3	TX1-	B10	RX1-
A4	VBUS	B9	VBUS
A5	CC1	B8	SBU2
A6	D+	B7	D-
A7	D-	B6	D+
A8	SBU1	B5	CC2
A9	VBUS	B4	VBUS
A10	RX2-	B3	TX2-
A11	RX2+	B2	TX2+
A12	GND	B1	GND

THIS DOCUMENT IS THE SOLE PROPERTY OF BBJconn Technology Co.,Ltd. Corporation AND SHOULD NOT BE USED IN WHOLE OR IN PART WITHOUT PRIOR WRITTEN PERMISSION. PDWG:NO: 0299-2

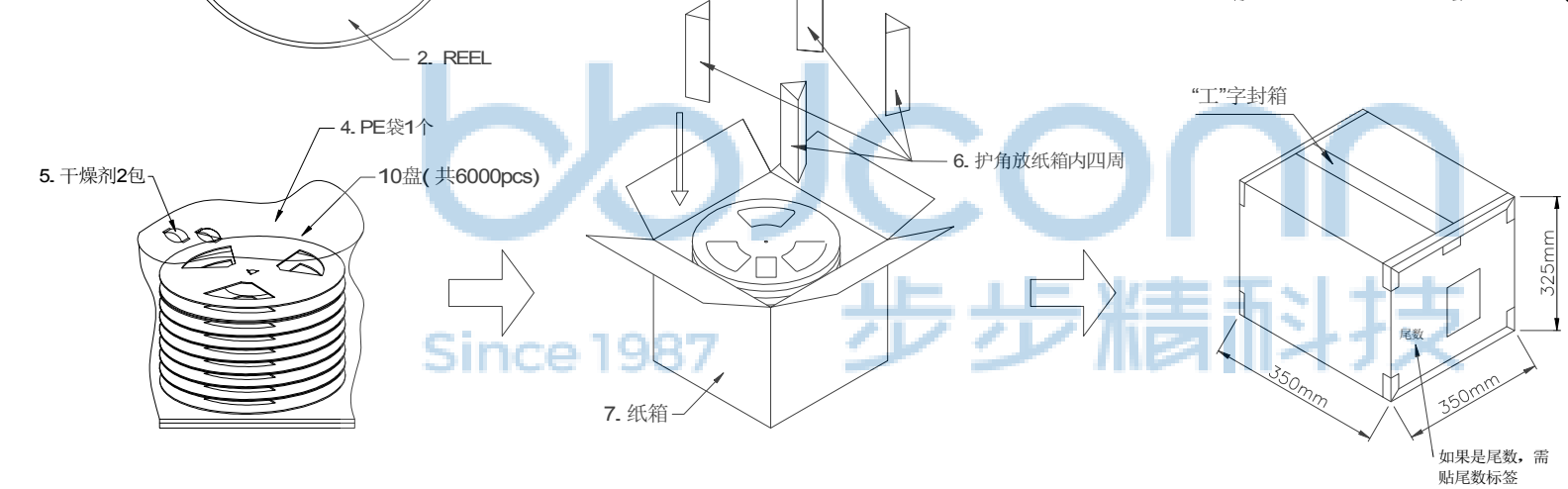
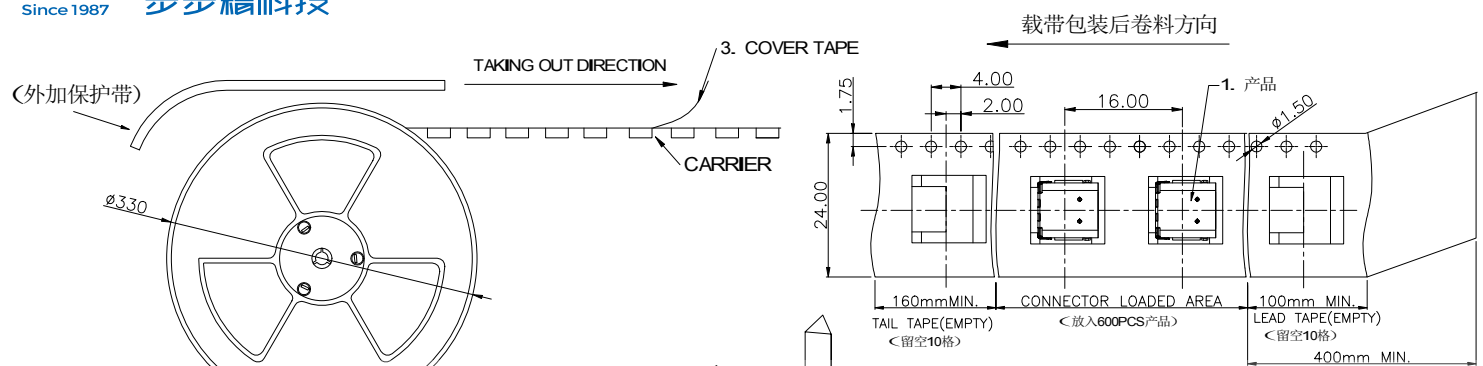
深圳市步步精科技有限公司
APPROVED
工程部

NAME: TYPE-C 24P 母座 SMT+DIP 板上 L=9.60 CH=2.53 排距0.70 垫高 加后塞 成品 圆形 编带

APPD. JM_Zheng
CHKD. LYX
DR. TSP

PJ. NO.: UC.01.52-1F-0001
SIZE: A4 DRW NO.:
FINISH: SEE NOTES MAT'L.: SEE NOTES
SCALE: N/A REV.: A0 UNIT: mm PAGE: 1/2

REV.	ECN NO	CONTENT	DATE	ENGINEER
A0		Initial release	/	TSP



- Notes:
- 每卷前后各空10PCS.尾部用美纹胶纸封住,
 - 将产品放入载带内, 共放600PCS,放满盘后,再卷一圈保护带,保护带最后重叠约50mm, 用美纹胶纸将其封住
 - 每10卷盘装入一个防水袋, 再放入2包干燥剂, 然后放入1个外箱内; 纸箱内四周放护角;
 - 在搬运过程中要轻拿轻放.
 - 在运输中不可堆放过多,不可有重压现象.
 - 跌落测试条件:
成品箱子从1.5米高自由落体:(三棱六面一角)检验项目:
1.产品不可跑出下带凹槽.
2.产品不可有摔伤,变形.
3.外箱及内包装材料不可严重破损.

包装数量	净重	毛重
6000Pcs/箱	4.08Kg	8.35Kg



7	纸箱	PA-001Z	双坑K=K 350*350*325mm	1PCS
6	三角柱	PB-001Z	30.5*29cm	4PCS
5	干燥剂	F001	—————	2PCS
4	PE袋	PE-001Z	71*79.5cm	1PCS
3	COVER TAPE	PC-004W	21.0mm (自粘带)	若干
2	REEL	PR-008W	24.0mm (透明载带)	10R
1	产品	A18F2408-XXXRZ	—————	6K
序号	品名	料号	规格(mm)	用量(PCS)

THIS DOCUMENT IS THE SOLE PROPERTY OF BBJconn Technology Co.,Ltd. Corporation AND SHOULD NOT BE USED IN WHOLE OR IN PART WITHOUT PRIOR WRITTEN PERMISSION. PDWG.NO: 0299-2	深圳市步步精科技有限公司		NAME: TYPE-C 24P 母座 SMT+DIP 板上 L=9.60 CH=2.53 排距0.70 垫高 加后塞 成品 圆形 编带	
	.X: ±0.38 .XX: ±0.25 .XXX: ±0.13	X': ±3" .X': ±2" .XX': ±1"	APPD. JM_Zheng	PJ. NO.: UC.01.52-1F-0001
	CHKD. LYX	DR. TSP	SIZE: A4 DRW NO.:	
	FINISH: SEE NOTES		MAT'L.: SEE NOTES	
SCALE: N/A		REV.: A0	UNIT: mm	PAGE: 2/2